

DGC 7580

30" Combi-Steam Oven XXL

for steam cooking, baking, roasting with roast probe + menu cooking.



- Touch display with proximity sensor – M Touch S + MotionReact
- Perfect results – DualSteam technology
- Crispy on the outside, succulent on the inside – Combi-Steam
- Miele@home – network-enabled WiFi appliance + Miele Mix & Match
- Easy cleaning – PerfectClean stainless steel oven compartment

EAN: 4002516487524 / Material number: 11876020 / Old Material Number: 23758043USA

Construction type and design	
Color	Clean Touch Steel
Combi-steam oven	•
ContourLine	•
Convenience features	
Rapid PreHeat	•
Preheating	•
External steam generation	•
Climate sensor	•
Individual humidity settings in combination cooking	•
Menu cooking without transfer of taste	•
Miele Mix & Match	•
Roast probe	wired
Automatic programs with individual setting of the cooking result	•
Keep-warm function	•
Crisp Function	•
Operating modes	
Defrost	•
MasterChef automatic programs	•
Country-specific automatic programs	•
Combi-Steam	•
Combi cooking	•
Combi-Steam with Convection Bake	•
Combi-Steam with Surround	•
Combi-Steam with Maxi Broil	•
Steam cooking	•
Sous-vide	•
Reheating	•
Roast with moisture	•
Broiling operating modes	•
Maxi Broil	•
Broil	•
Convection Bake	•
Convection Roast	•
Intensive	•
Intensive Bake	•
Humidity Plus	•
Cake plus	•
Surround	•
Browning	•
Bake	•
Convection Broil	•
Convection Roast	•
Warm-up cookware	•
Special Modes	•
User convenience	
Networking with Miele@home	•
Display	M Touch S Display
Clear text on control panel	•

DGC 7580

30" Combi-Steam Oven XXL

for steam cooking, baking, roasting with roast probe + menu cooking.



EAN: 4002516487524 / Material number: 11876020 / Old Material Number: 23758043USA

MotionReact proximity sensor	•
MotionReact: Light comes on when movement is detected	•
MotionReact: Display comes on when movement is detected	•
MotionReact: Audible signal to acknowledge when movement is detected	•
MotionReact: Detection of cabinet fronts	•
SoftOpen	•
SoftClose	•
ComfortSwivel handle	•
MultiLingua	•
MyMiele	•
Show me how	•
Motorized lift-up control panel with SoftClose	•
Quantity-independent cooking	•
Steam cooking on up to 4 levels at the same time	•
Automatic menu cooking	•
Steam reduction before end of programme	•
Time of day display	•
Date display	•
Minute minder	•
Programming start of cooking duration	•
Programming end of cooking duration	•
Programmable cooking time	•
Actual temperature display	•
Desired temperature display	•
Audible signal when desired temperature is reached	•
Default temperature	•
Favorites	•
Sabbath program	•
Individual settings	•
Cleaning convenience	
Clean Touch Steel surface	•
Stainless steel oven compartment with linen-weave pattern and PerfectClean finish	•
Foldable broil heater element	•
External steam generator	•
Floor heater element for condensate reduction	•
Maintenance programs	•
Soak program	•
Rinse program	•
Cavity drying program	•
Quick-release side racks	•
Removable side racks	•
Descaling	•
CleanGlass door	•
Steam technology/water supply	
DualSteam	•
Fresh water container volume in l	1.4
Fresh-water container tank behind motorized lift-up control panel with SoftClose	•

DGC 7580

30" Combi-Steam Oven XXL

for steam cooking, baking, roasting with roast probe + menu cooking.

EAN: 4002516487524 / Material number: 11876020 / Old Material Number: 23758043USA

Condensate container behind motorized lift-up control panel with SoftClose	•
Drain filter	•
Safety	
Cooling system with cool touch front	•
Appliance cooling system and cool touch front	•
Safety shut-off	•
Safety cut-out	•
System lock	•
Vapor cooling system	•
Sensor lock	•
Technical data	
Cavity volume in cu.ft (l)	68.0
No. of rack levels	4
Labeling of rack levels	•
Door hinge side	Bottom
Oven interior lighting	BrilliantLight
Oven mode temperatures in °F (°C)	85-450 °F (30-230 °C)
Niche width min. in inches (mm)	28 5/8 (724)
Niche width min. in inches (mm)	724
Niche width max. in inches (mm)	28 5/8 (724)
Niche width max. in inches (mm)	724
Niche height min. in inches (mm)	24 1/8 (610)
Niche height min. in inches (mm)	610
Niche height max. in inches (mm)	24 1/4 (615)
Niche height max. in inches (mm)	615
Niche depth in in. (mm)	610
Niche depth in in. (mm)	24 1/8 (610)
Appliance dimensions (W x H x D) in inches (mm)	29 7/8 (757) x 24 1/2 (620) x 22 5/8 (573)
Appliance width in in. (mm)	29 7/8 (757)
Appliance width in in. (mm)	757
Appliance width in in. (mm)	29 7/8 (757)
Appliance height in in. (mm)	24 1/2 (620)
Appliance height in in. (mm)	619.5
Appliance height in in. (mm)	24 1/2 (620)
Appliance depth in in. (mm)	22 5/8 (573)
Appliance depth in in. (mm)	573
Appliance depth in in. (mm)	22 5/8 (573)
Weight in lbs. (kg)	116 (52.3)
Weight in lbs. (kg)	115.3 (52.3)
Weight in lbs. (kg)	116 (52.3)
Total connected load in kW	2.80-3.70
Power Rating in V	0
Usable voltage range in V	240/208
Frequency in Hz	60
Fuse rating in A	20
Number of phases	2
Connection wire with plug	•
Length of power cord in in. (m)	2
Replacing bulbs	Customer Service

DGC 7580

30" Combi-Steam Oven XXL

for steam cooking, baking, roasting with roast probe + menu cooking.



EAN: 4002516487524 / Material number: 11876020 / Old Material Number: 23758043USA

Standard accessories

Universal tray with PerfectClean HUBB 71	1
Wire rack with PerfectClean HBBR 71	1
PerfectClean FlexiClip telescopic runners HFC 71 (pair)	1
Wired food probe	1
Removable side racks with PerfectClean (pair)	1
Perforated stainless-steel cooking containers	1
Solid stainless steel cooking containers	1
Descaling tablets	2

Available display languages

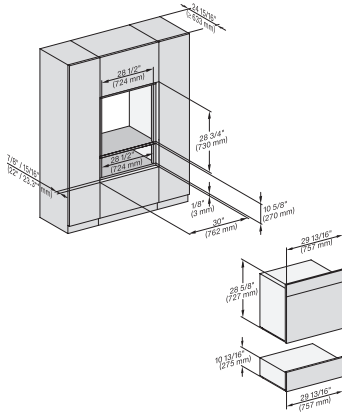
Available display languages via MultiLingua

bahasa malaysia, dansk,
deutsch, english, español,
français, hrvatski, italiano,
magyar, nederlands,
norsk, polski, portugês,
русский, română,
slovenčina, slovenščina,
srpski, suomi, svenska,
türkçe, українська, čeština,
ελληνικά,

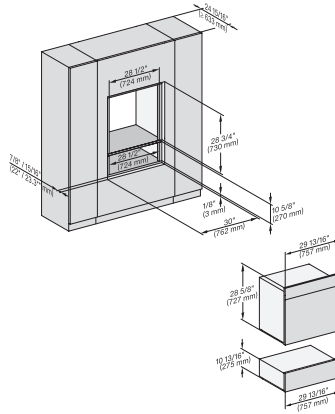
DGC 7580

30" Combi-Steam Oven XXL

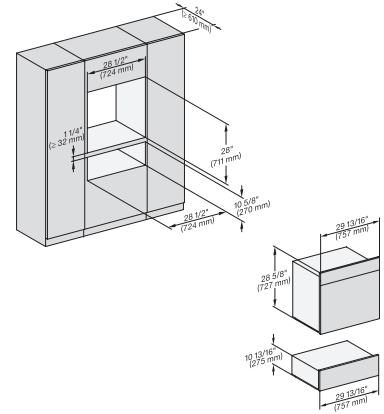
for steam cooking, baking, roasting with roast probe + menu cooking.



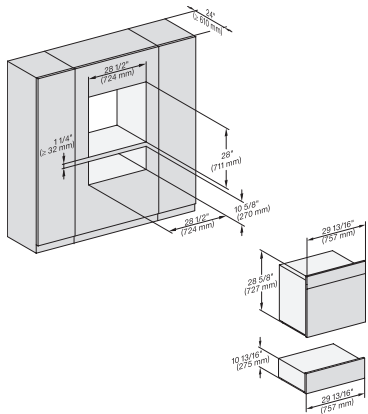
H 6x80 BP, ESW 6x80, H 6x80-2BP, H7x8x, ESW7x80, H 2x8x Fitting Combi, Installation drawing, Flush inset, NA



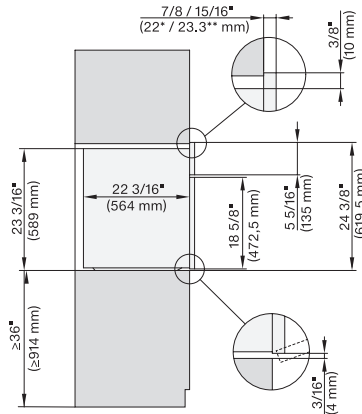
H 6x80 BP, ESW 6x80, H 6x80-2BP, H 2x80BP, H 7x80 BP/BPX, ESW 7x80 Installation drawing, Flush inset, NA



H6x80BP, ESW6x80, H6x80-2BP, H2x80BP, H7x80BPX, ESW7x80, Fitting Combi, Installation drawing, Proud, NA

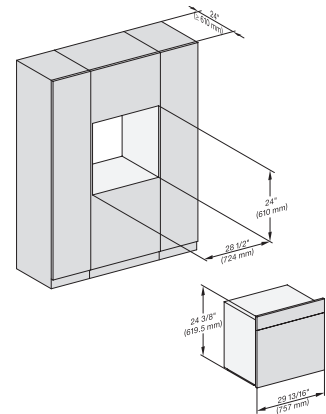


H 6x80 BP, ESW 6x80, H 6x80-2BP, NA7000 Fitting Combi wide front, Installation drawing, Proud, NA



side view 30 inch Proud DGC30 XXL, installation drawing, NA

7/8" – 22* mm – Glass, 15/16" – 23.3** mm – Stainless steel

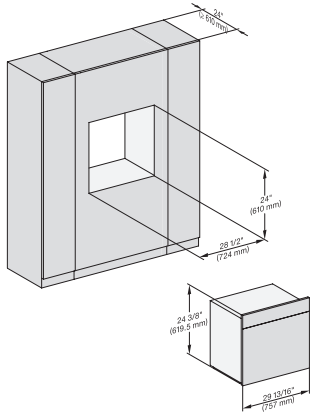


installation 30 inch Proud DGC30 XXL, installation drawing, NA

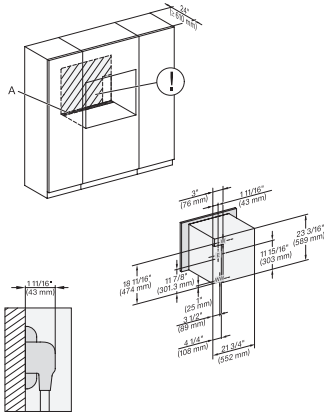
DGC 7580

30" Combi-Steam Oven XXL

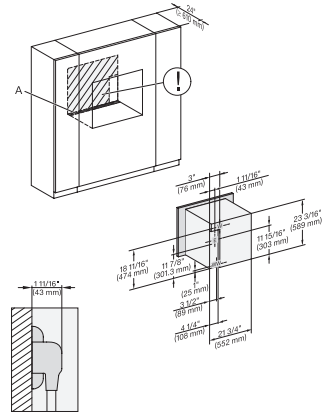
for steam cooking, baking, roasting with roast probe + menu cooking.



installation 30 inch Proud wide front DGC30 XXL, installation drawing, NA



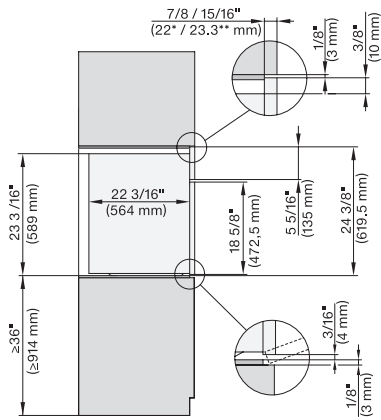
installation 30 inch Proud DGC XXL, installation drawing, NA



installation 30 inch wide front DGC XXL, installation drawing, NA

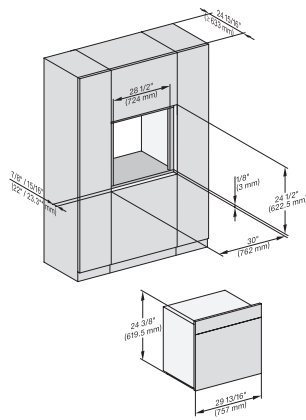
A – Cut-out (1 9/16" x 19 11/16" / 40 mm x 500 mm) in the bottom of the cabinet for power cord and ventilation., – Electrical and water supplies are recommended to be placed in adjacent cabinetry., Additional cabinet depth is required when placing the electrical and water supplies behind the appliance., E = Electric connection

A – Cut-out (1 9/16" x 19 11/16" / 40 mm x 500 mm) in the bottom of the cabinet for power cord and ventilation., – Electrical and water supplies are recommended to be placed in adjacent cabinetry., Additional cabinet depth is required when placing the electrical and water supplies behind the appliance., E = Electric connection



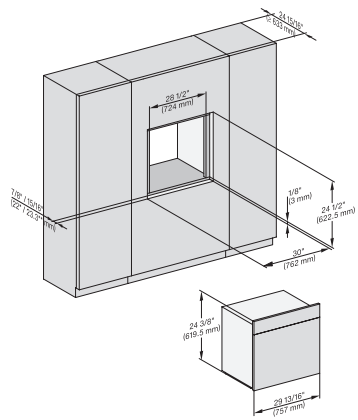
side view, 30 inch Flush inset DGC30 XXL, installation drawing, NA

7/8" – 22" mm – Glass, 15/16" – 23.3** mm – Stainless steel



Installation 30 inch Flush inset DGC30 XXL, installation drawing, NA

7/8" – 22" mm – Glass, 15/16" – 23.3** mm – Stainless steel



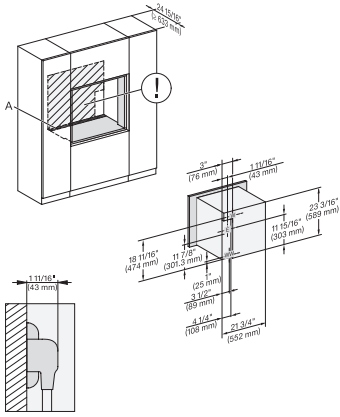
installation 30 inch Flush inset wide front DGC30 XXL, installation drawing, NA

7/8" – 22" mm – Glass, 15/16" – 23.3** mm – Stainless steel

DGC 7580

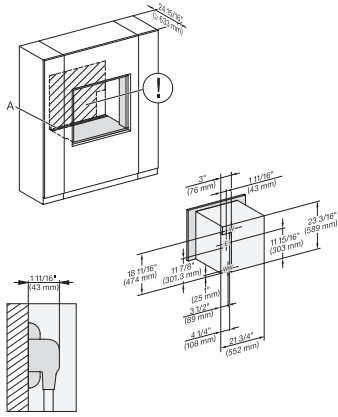
30" Combi-Steam Oven XXL

for steam cooking, baking, roasting with roast probe + menu cooking.



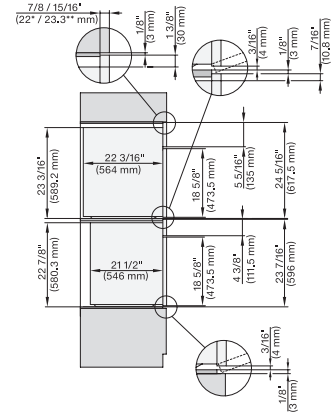
Installation 30 inch Flush inset DGC XXL, installation drawing, NA

A – Cut-out (1 9/16" x 19 11/16" / 40 mm x 500 mm) in the bottom of the cabinet for power cord and ventilation, – Electrical and water supplies are recommended to be placed in adjacent cabinetry., Additional cabinet depth is required when placing the electrical and water supplies behind the appliance., E = Electric connection



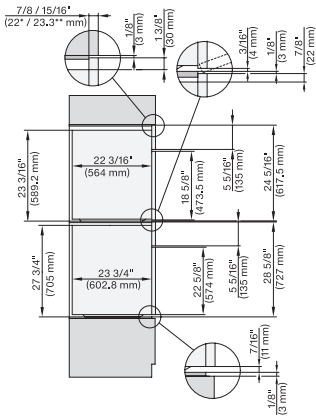
installation 30 inch Flush inset wide front DGC XXL, installation drawing, NA

A – Cut-out (1 9/16" x 19 11/16" / 40 mm x 500 mm) in the bottom of the cabinet for power cord and ventilation, – Electrical and water supplies are recommended to be placed in adjacent cabinetry., Additional cabinet depth is required when placing the electrical and water supplies behind the appliance., E = Electric connection



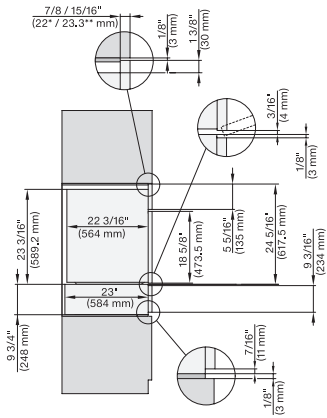
DGC7x8x, H7x6x+EBA7868, side view, 30 Zoll, Flush inset, combi, XXL, 650S

7/8" – 22" mm – Glass, 15/16" – 23.3" mm – Stainless steel



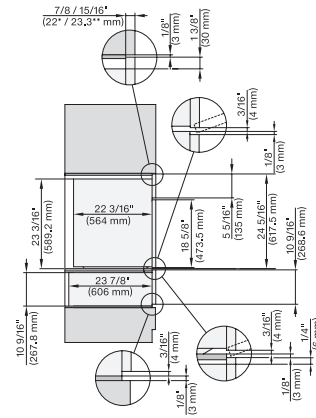
DGC7x8x, H2x80BP, H7x8xBP(X), side view, 30 Zoll, Flush inset, combi, XXL 650

7/8" – 22" mm – Glass, 15/16" – 23.3" mm – Stainless steel



DGC7x8x, ESW7x70, EVS7670, side view, 30 Zoll, Flush inset, combi, XXL

7/8" – 22" mm – Glass, 15/16" – 23.3" mm – Stainless steel



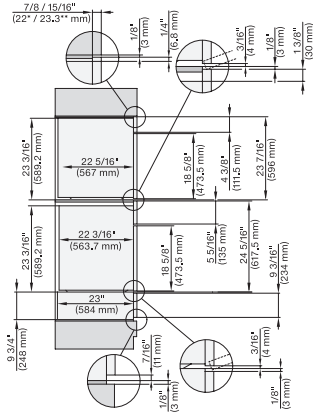
DGC7x8x, ESW7x80, side view, 30 Zoll, Flush inset, combi, XXL

7/8" – 22" mm – Glass, 15/16" – 23.3" mm – Stainless steel

DGC 7580

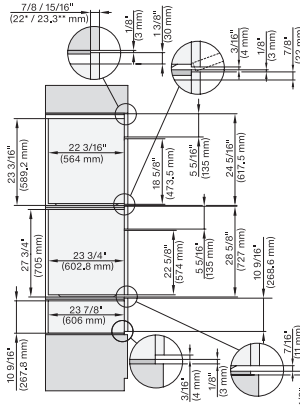
30" Combi-Steam Oven XXL

for steam cooking, baking, roasting with roast probe + menu cooking.



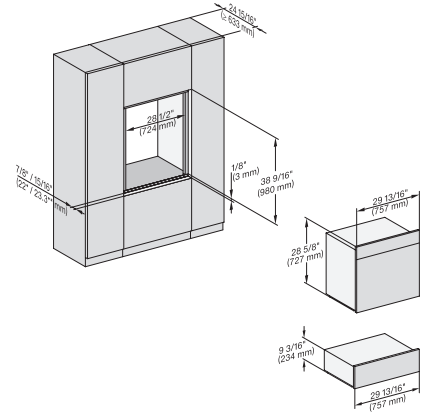
DGC786x+EBA7868, DGC7x8x, ESW7x70, EVS7670, side view, 30 Zoll, Flush inset, combi, XXL

7/8" – 22" mm – Glass, 15/16" – 23.3" mm – Stainless steel



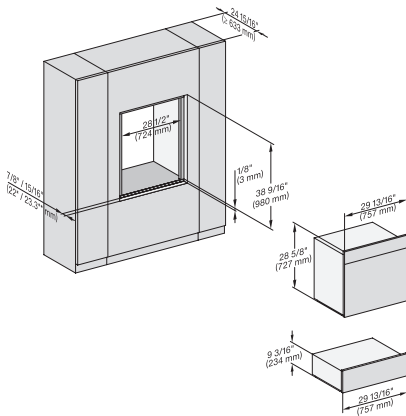
DGC7x8(X), H2x80BP, H7x8xBP, ESW7x80, side view, 30 Zoll, Flush inset, combi, XXL, 650, ESW30

7/8" – 22" mm – Glass, 15/16" – 23.3" mm – Stainless steel



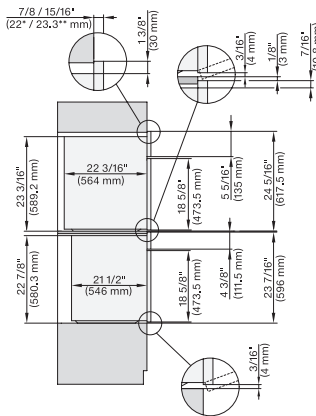
DC7x8x, ESW7x70, EVS7670 Einbau, 30 Zoll, Flush inset, combi, XXL,

7/8" – 22" mm – Glass, 15/16" – 23.3" mm – Stainless steel



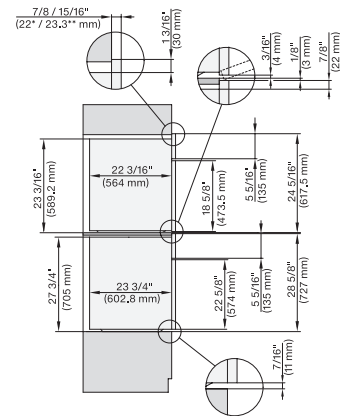
DGC7x8x, ESW7x70, EVS7670, Einbau, 30 Zoll, Flush inset, combi, wide front, XXL

7/8" – 22" mm – Glass, 15/16" – 23.3" mm – Stainless steel



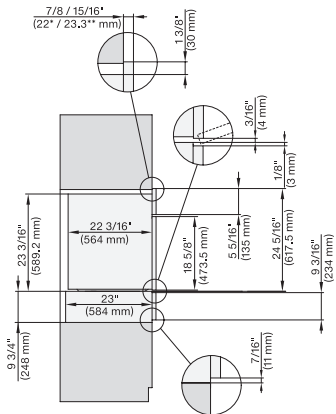
DGC7x8x, H7x6xBP+EBA7848, side view, 30 Zoll, Proud, combi, XXL, 650S

7/8" – 22" mm – Glass, 15/16" – 23.3" mm – Stainless steel



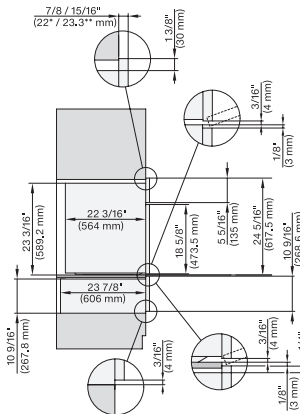
DGC7x8x, H2x80BP, H7x8xBP(X), side view, 30 Zoll, Proud, combi, XXL 650

7/8" – 22" mm – Glass, 15/16" – 23.3" mm – Stainless steel



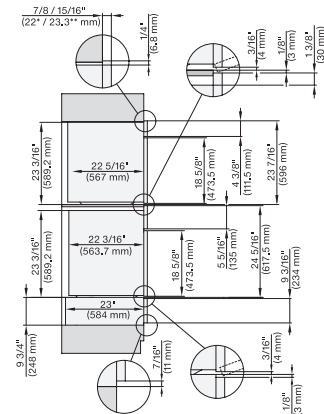
DGC7x8x, ESW7x70, EVS7670, side view, 30 Zoll, Proud, combi, XXL

7/8" – 22" mm – Glass, 15/16" – 23.3" mm – Stainless steel



DGC7x8x, ESW7x80, side view, 30 Zoll, Proud, combi, XXL

7/8" – 22" mm – Glass, 15/16" – 23.3" mm – Stainless steel



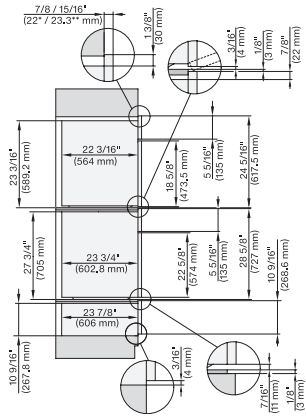
DGC786x+EBA7868, DGC7x8x, ESW7x70, EVS7670, side view, 30 Zoll, Proud, combi, XXL

7/8" – 22" mm – Glass, 15/16" – 23.3" mm – Stainless steel

DGC 7580

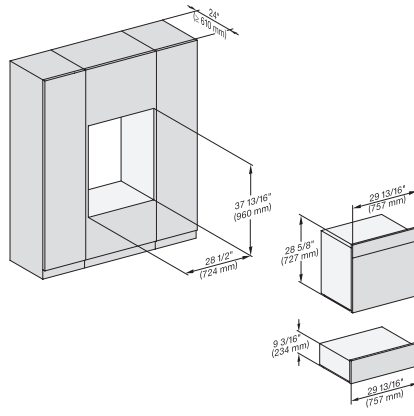
30" Combi-Steam Oven XXL

for steam cooking, baking, roasting with roast probe + menu cooking.



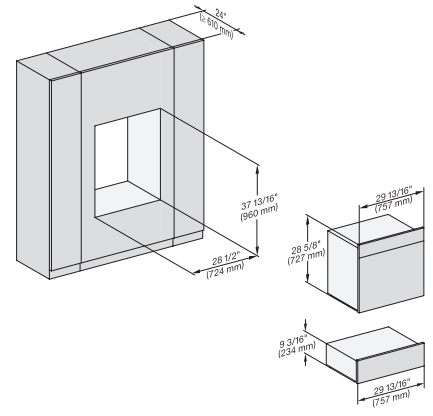
DGC7x8x(X), H2x80BP, H7x8xBP(X), ESW7x80, side view, 30 Zoll, Proud, combi, XXL, 650

7/8" – 22" mm – Glass, 15/16" – 23.3** mm – Stainless steel

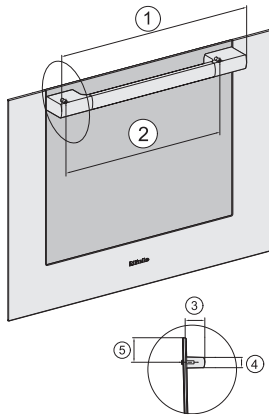


DGC7x8x, ESW7x70, EVS7670, Einbau, 30 Zoll, Proud, combi, XXL

7/8" – 22" mm – Glass, 15/16" – 23.3** mm – Stainless steel

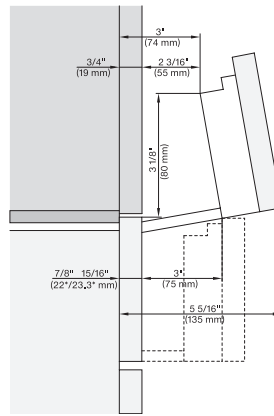


DGX7x8x, ESW7x70, EVS7670, Einbau, 30 Zoll, Proud, combi, wide front, XXL



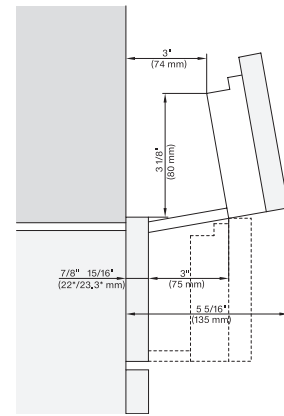
Handle 30" DGC73xx, DGC75xx, DGC77xx, H71xx, H75xx, H77xx, ContourLine – NA7000 - Installation drawing

21 1/8" / 536 mm, 17 1/2" / 444 mm, 2 1/2" / 64 mm, 1 3/8" / 35 mm, 1 7/16" / 37 mm



Swivel range Flush inset DGC 30 inch, installation drawing, NA

7/8" – 22" mm – Glas, 15/16" – 23.3** mm – Edelstahl



swivel range 30 inch Proud DGC, installation drawing, NA

7/8" – 22" mm – Glas, 15/16" – 23.3** mm – Edelstahl