

DGC 7680

30" Combi-Steam Oven XXL

for steam cooking, baking, roasting with roast probe + menu cooking.



EAN: 4002516487913 / Material number: 11876470 /
Old Material Number: 23768043USA

- Touch display with proximity sensor – M Touch S + MotionReact
- Perfect results – DualSteam technology
- Crispy on the outside, succulent on the inside – Combi-Steam
- Miele@home – network-enabled WiFi appliance + Miele Mix & Match
- Easy cleaning – PerfectClean stainless steel oven compartment

| General information | |
|--|-------------------|
| Model number | DGC 7680 |
| Manufacturer material number | 11876470 |
| EAN number | 4002516487913 |
| Class | Platinum |
| Construction type and design | |
| Color | Clean Touch Steel |
| PureLine | • |
| Construction type and design | |
| Combi-steam oven | • |
| Convenience features | |
| Rapid PreHeat | • |
| Preheating | • |
| External steam generation | • |
| Climate sensor | • |
| Individual humidity settings in combination cooking | • |
| Menu cooking without transfer of taste | • |
| Miele Mix & Match | • |
| Roast probe | wired |
| Automatic programs with individual setting of the cooking result | • |
| Keep-warm function | • |
| Crisp Function | • |
| Operating modes | |
| Convection | • |
| Convection Roast | • |
| Surround | • |
| Steam cooking | • |
| Combi-Steam | • |
| Combi cooking | • |
| Combi-Steam with Convection Bake | • |
| Combi-Steam with Surround | • |
| Combi-Steam with Maxi Broil | • |
| Sous-vide | • |
| Intensive | • |
| Convection Broil | • |
| Maxi Broil | • |
| Broil | • |
| Broiling operating modes | • |
| Browning | • |
| Bake | • |
| Humidity Plus | • |
| Defrost | • |
| Roast with moisture | • |
| Reheating | • |
| Warm-up cookware | • |
| Automatic programs | • |
| Country-specific automatic programs | • |

DGC 7680

30" Combi-Steam Oven XXL

for steam cooking, baking, roasting with roast probe + menu cooking.



EAN: 4002516487913 / Material number: 11876470 /

Old Material Number: 23768043USA

| | |
|---|-------------------|
| Special Modes | • |
| User convenience | |
| Networking with Miele@home | • |
| Display | M Touch S Display |
| Clear text on control panel | • |
| MotionReact proximity sensor | • |
| SoftOpen | • |
| SoftClose | • |
| MultiLingua | • |
| MyMiele | • |
| Show me how | • |
| Motorized lift-up control panel with SoftClose | • |
| Quantity-independent cooking | • |
| Steam cooking on up to 4 levels at the same time | • |
| Automatic menu cooking | • |
| Steam reduction before end of programme | • |
| Timers | • |
| Time of day display | • |
| Date display | • |
| Minute minder | • |
| Programming start of cooking duration | • |
| Programming end of cooking duration | • |
| Programmable cooking time | • |
| Actual temperature display | • |
| Desired temperature display | • |
| Audible signal when desired temperature is reached | • |
| Default temperature | • |
| Favorites | • |
| Sabbath program | • |
| Individual settings | • |
| Cleaning convenience | |
| Clean Touch Steel surface | • |
| Stainless steel oven compartment with linen-weave pattern and PerfectClean finish | • |
| Foldable broil heater element | • |
| External steam generator | • |
| Floor heater element for condensate reduction | • |
| Maintenance programs | • |
| Soak program | • |
| Rinse program | • |
| Cavity drying program | • |
| Quick-release side racks | • |
| Removable side racks | • |
| Descaling | • |
| CleanGlass door | • |
| Steam technology/water supply | |
| DualSteam | • |
| Fresh water container volume in l | 1.4 |

DGC 7680

30" Combi-Steam Oven XXL

for steam cooking, baking, roasting with roast probe + menu cooking.

EAN: 4002516487913 / Material number: 11876470 /

Old Material Number: 23768043USA

| | |
|--|--|
| Fresh-water container tank behind motorized lift-up control panel with SoftClose | • |
| Condensate container behind motorized lift-up control panel with SoftClose | • |
| DirectWater | No |
| Drain filter | • |
| Safety | |
| Cooling system with cool touch front | • |
| Appliance cooling system and cool touch front | • |
| Safety shut-off | • |
| Safety cut-out | • |
| System lock | • |
| Vapor cooling system | • |
| Sensor lock | • |
| Technical data | |
| Cavity volume in cu.ft (l) | 2.4 (68.0) |
| No. of rack levels | 4 |
| Labeling of rack levels | • |
| Door hinge side | Bottom |
| Oven interior lighting | BrilliantLight |
| Oven mode temperatures in °F (°C) | 85-450 °F (30-230 °C) |
| Niche dimensions (W x H x D) in inches (mm) | 724-724 x 610-615 x 610 |
| Niche dimensions (W x H x D) in inches (mm) | 28 5/8 (724)-28 5/8 (724) x 24 1/8 (610)-24 1/4 (615) x 24 1/8 (610) |
| Niche width min. in inches (mm) | 28 5/8 (724) |
| Niche width min. in inches (mm) | 724 |
| Niche width max. in inches (mm) | 28 5/8 (724) |
| Niche width max. in inches (mm) | 724 |
| Niche height min. in inches (mm) | 24 1/8 (610) |
| Niche height min. in inches (mm) | 610 |
| Niche height max. in inches (mm) | 24 1/4 (615) |
| Niche height max. in inches (mm) | 615 |
| Niche depth in in. (mm) | 610 |
| Niche depth in in. (mm) | 24 1/8 (610) |
| Appliance dimensions (W x H x D) in inches (mm) | 29 7/8 (757) x 24 1/2 (620) x 22 5/8 (573) |
| Appliance width in in. (mm) | 29 7/8 (757) |
| Appliance width in in. (mm) | 757 |
| Appliance width in in. (mm) | 29 7/8 (757) |
| Appliance height in in. (mm) | 24 1/2 (620) |
| Appliance height in in. (mm) | 619.5 |
| Appliance height in in. (mm) | 24 1/2 (620) |
| Appliance depth in in. (mm) | 22 5/8 (573) |
| Appliance depth in in. (mm) | 573 |
| Appliance depth in in. (mm) | 22 5/8 (573) |
| Weight in lbs. (kg) | 112 (50.6) |
| Weight in lbs. (kg) | 111.55 (50.6) |
| Weight in lbs. (kg) | 112 (50.6) |

DGC 7680

30" Combi-Steam Oven XXL

for steam cooking, baking, roasting with roast probe + menu cooking.



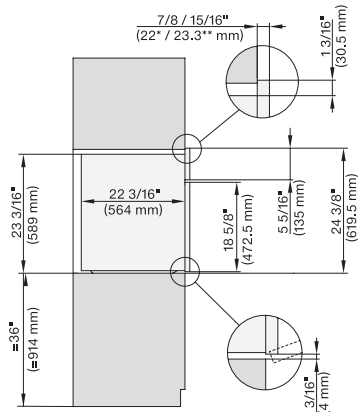
EAN: 4002516487913 / Material number: 11876470 /
Old Material Number: 23768043USA

| | |
|---|--|
| Total connected load in kW | 2.80-3.70 |
| Power Rating in V | 0 |
| Usable voltage range in V | 240/208 |
| Frequency in Hz | 60 |
| Fuse rating in A | 20 |
| Number of phases | 2 |
| Neutral conductor | No |
| Connection wire with plug | • |
| Length of power cord in in. (m) | 2 |
| Replacing bulbs | Customer Service |
| Standard accessories | |
| Universal tray with PerfectClean HUBB 71 | 1 |
| Wire rack with PerfectClean HBBR 71 | 1 |
| PerfectClean FlexiClip telescopic runners HFC 71 (pair) | 1 |
| Wired food probe | 1 |
| Removable side racks with PerfectClean (pair) | 1 |
| Perforated stainless-steel cooking containers | 1 |
| Solid stainless steel cooking containers | 1 |
| Descaling tablets | 2 |
| Available display languages | |
| Available display languages via MultiLingua | [?] [?] [?] [?] [?] [?] [?] [?] [?] [?] [?] [?] [?], deutsch, dansk, english, suomi, français, ελληνικά, italiano, [?] [?] [?], [?] [?] [?], hrvatski, bahasa malaysia, nederlands, norsk, polski, portugês, română, русский, svenska, srpski, slovenčina, slovenščina, español, čeština, türkçe, українська, magyar |

DGC 7680

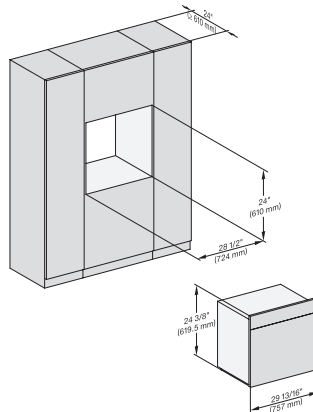
30" Combi-Steam Oven XXL

for steam cooking, baking, roasting with roast probe + menu cooking.

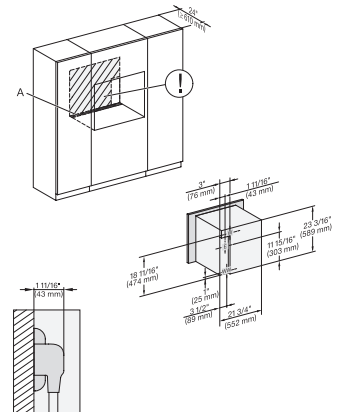


side view 30 inch Proud DGC30 XXL, installation drawing, NA

7/8" – 22* mm – Glass, 15/16" – 23.3** mm – Stainless steel

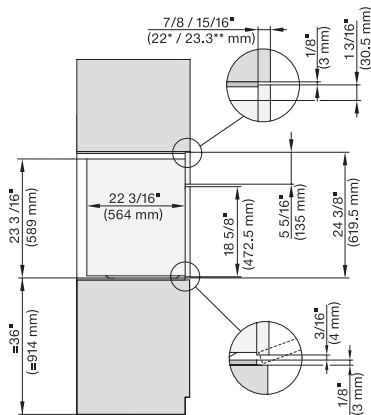


installation 30 inch Proud DGC30 XXL, installation drawing, NA



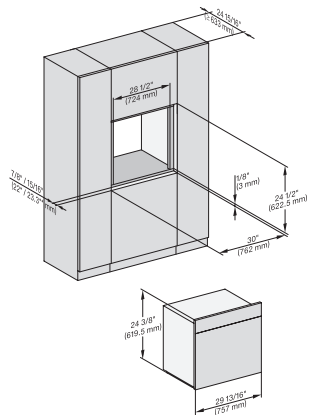
installation 30 inch Proud DGC XXL, installation drawing, NA

A – Cut-out (1 9/16" x 19 11/16" / 40 mm x 500 mm) in the bottom of the cabinet for power cord and ventilation, – Electrical and water supplies are recommended to be placed in adjacent cabinetry, Additional cabinet depth is required when placing the electrical and water supplies behind the appliance, E = Electric connection, W = Water connection, L = 9' 10 1/8" (3,000 mm), WW = Waste water connection, L = 9' 10 1/8" (3,000 mm), The top end of the drain hose to the inlet of the odor trap must not be higher than 19 11/16" (500 mm).



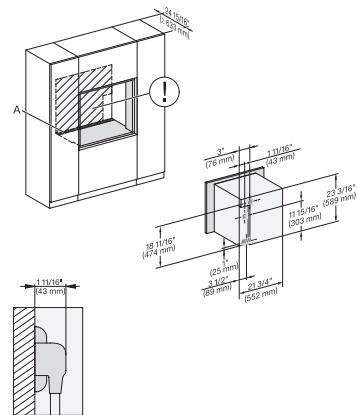
side view, 30 inch Flush inset DGC30 XXL, installation drawing, NA

7/8" – 22* mm – Glass, 15/16" – 23.3** mm – Stainless steel



Installation 30 inch Flush inset DGC30 XXL, installation drawing, NA

7/8" – 22* mm – Glass, 15/16" – 23.3** mm – Stainless steel



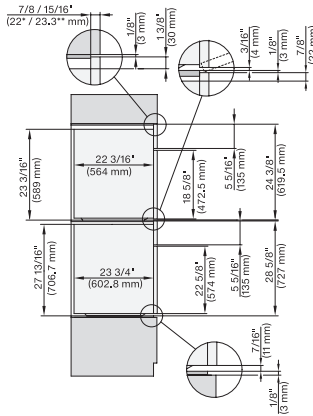
Installation 30 inch Flush inset DGC XXL, installation drawing, NA

A – Cut-out (1 9/16" x 19 11/16" / 40 mm x 500 mm) in the bottom of the cabinet for power cord and ventilation, – Electrical and water supplies are recommended to be placed in adjacent cabinetry, Additional cabinet depth is required when placing the electrical and water supplies behind the appliance, E = Electric connection, W = Water connection, L = 9' 10 1/8" (3,000 mm), WW = Waste water connection, L = 9' 10 1/8" (3,000 mm), The top end of the drain hose to the inlet of the odor trap must not be higher than 19 11/16" (500 mm).

DGC 7680

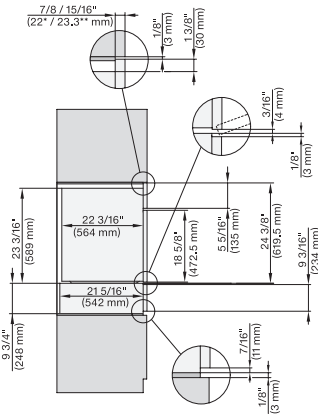
30" Combi-Steam Oven XXL

for steam cooking, baking, roasting with roast probe + menu cooking.



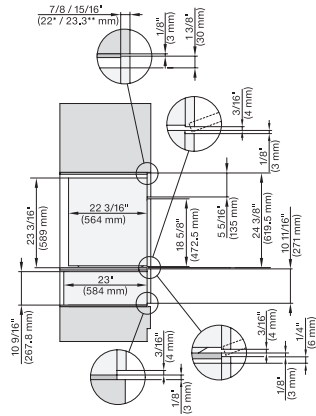
DGC7x8x, H2x80BP, H7x8xBP(X), side view, 30 Zoll, Flush inset, combi, XXL 650

7/8" – 22* mm – Glass, 15/16" – 23.3** mm – Stainless steel, DGC: Minimum installation height 36" – 914 mm from floor to the device installation surface



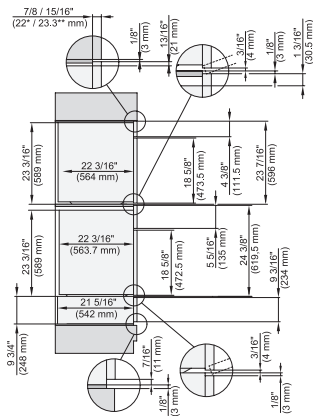
DGC7x8x, ESW7x70, EVS7670, side view, 30 Zoll, Flush inset, combi, XXL

7/8" – 22* mm – Glass, 15/16" – 23.3** mm – Stainless steel, DGC: Minimum installation height 36" – 914 mm from floor to the device installation surface



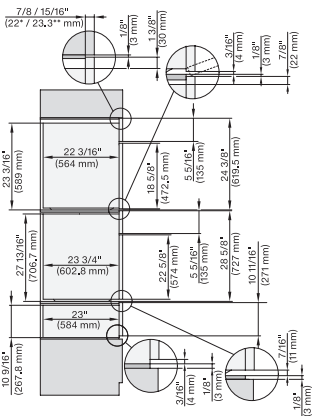
DGC7x8x, ESW7x80, side view, 30 Zoll, Flush inset, combi, XXL

7/8" – 22* mm – Glass, 15/16" – 23.3** mm – Stainless steel, DGC: Minimum installation height 36" – 914 mm from floor to the device installation surface



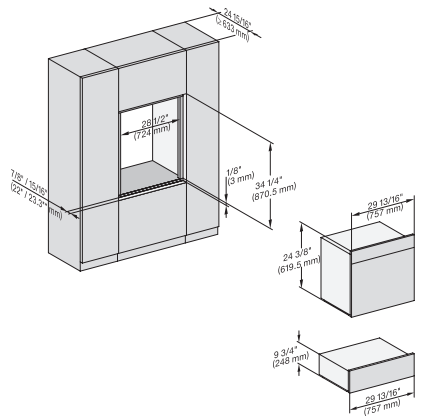
DGC786x+EBA7868, DGC7x8x, ESW7x70, EVS7670, side view, 30 Zoll, Flush inset, combi, XXL

7/8" – 22* mm – Glass, 15/16" – 23.3** mm – Stainless steel



DGC7x8x(X), H2x80BP, H7x8xBP, ESW7x80, side view, 30 Zoll, Flush inset, combi, XXL, 650, ESW30

7/8" – 22* mm – Glass, 15/16" – 23.3** mm – Stainless steel, DGC: Minimum installation height 36" – 914 mm from floor to the device installation surface



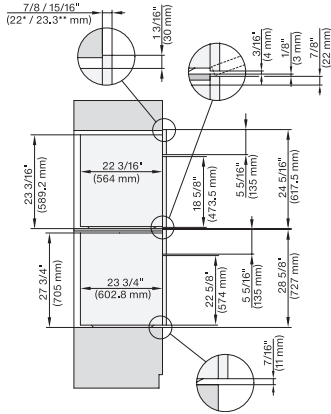
DGC7x8x, ESW7x70, EVS7670 Einbau, 30 Zoll, Flush inset, combi, XXL

7/8" – 22* mm – Glass, 15/16" – 23.3** mm – Stainless steel, DGC: Minimum installation height 36" – 914 mm from floor to the device installation surface

DGC 7680

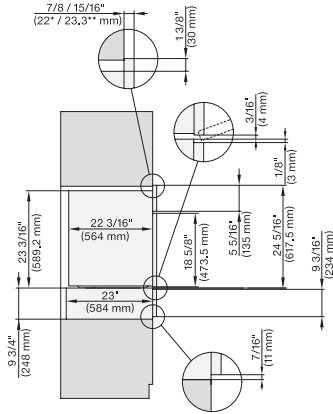
30" Combi-Steam Oven XXL

for steam cooking, baking, roasting with roast probe + menu cooking.



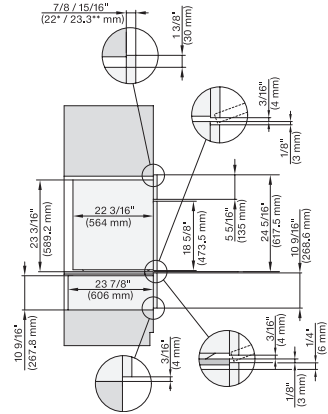
DGC7x8x, H2x80BP, H7x8xBP(X), side view, 30 Zoll, Proud, combi, XXL 650

7/8" – 22* mm – Glass, 15/16" – 23.3** mm – Stainless steel, DGC: Minimum installation height 36" – 914 mm from floor to the device installation surface



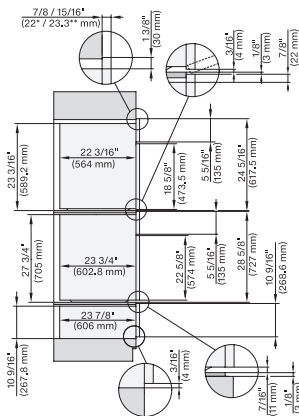
DGC7x8x, ESW7x70, EVS7670, side view, 30 Zoll. Proud, combi, XXL

7/8" – 22* mm – Glass, 15/16" – 23.3** mm – Stainless steel, DGC: Minimum installation height 36" – 914 mm from floor to the device installation surface, DGC: Minimum installation height 36" – 914 mm from floor to the device installation surface



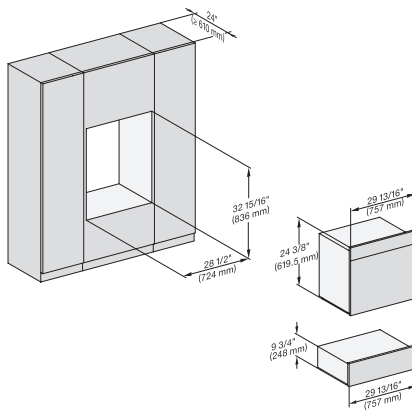
DGC7x8x, ESW7x80, side view, 30 Zoll, Proud, combi, XXL

7/8" – 22* mm – Glass, 15/16" – 23.3** mm – Stainless steel, DGC: Minimum installation height 36" – 914 mm from floor to the device installation surface,



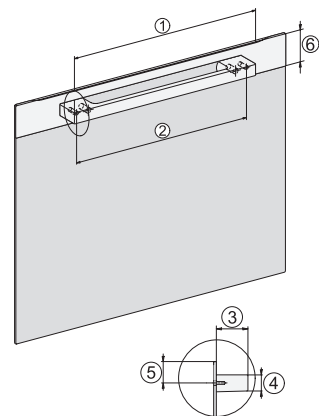
DGC7x8x(X), H2x80BP, H7x8xBP(X), ESW7x80, side view, 30 Zoll, Proud, combi, XXL, 650

7/8" – 22* mm – Glass, 15/16" – 23.3** mm – Stainless steel, DGC: Minimum installation height 36" – 914 mm from floor to the device installation surface



DGC7x8x, ESW7x70, EVS7670, Einbau, 30 Zoll, Proud, combi, XXL

DGC: Minimum installation height 36" – 914 mm from floor to the device installation surface



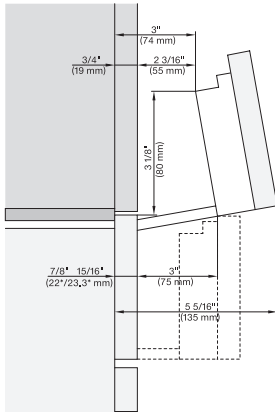
Handle DGC74xx, DGC76xx, DGC78xx, PureLine – NA7000 - Installation drawing

DGC7470, DGC7670, DGC7870, DGC7875, DGC7680, DGC7685, DGC7880, DGC7885, 19 11/16" / 500 mm, 17 1/2" / 444 mm, 1 7/8" / 47 mm, 15/16" / 24 mm, 1 1/4" / 32,5 mm, 2 9/16" / 65 mm, , DGC7440, DGC7640, DGC7840, DGC7845, DGC7860, DGC7865.; 15 3/4" / 400 mm, 14 3/16" / 360 mm, 1 7/8" / 47 mm, 15/16" / 24 mm, 1 1/4" / 32,5 mm, 2 9/16" / 65 mm

DGC 7680

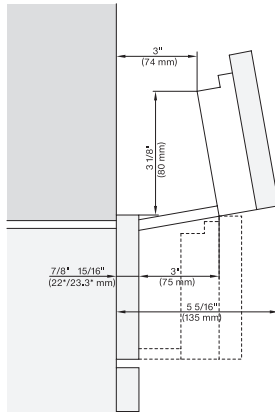
30" Combi-Steam Oven XXL

for steam cooking, baking, roasting with roast probe + menu cooking.



Swivel range Flush inset DGC 30 inch, installation drawing, NA

7/8" – 22* mm – Glas, 15/16" – 23.3** mm – Edelstahl



swivel range 30 inch Proud DGC, installation drawing, NA

7/8" – 22* mm – Glas, 15/16" – 23.3** mm – Edelstahl