

DGC 7770

30" Compact Combi-Steam Oven XL

for steam cooking, baking, roasting with roast probe + menu cooking.



- Large touch display with proximity sensor – M Touch + MotionReact
- Perfect results – DualSteam technology
- Crispy on the outside, succulent on the inside – Combi-Steam
- Miele@home – network-enabled WiFi appliance + Miele Mix & Match
- Easy cleaning – PerfectClean stainless steel oven compartment

EAN: 4002516487746 / Material number: 11875780 /
Old Material Number: 23777042USA

General information	
Model number	DGC 7770
Manufacturer material number	11875780
EAN number	4002516487746
Class	Diamond
Construction type and design	
Color	Clean Touch Steel
ContourLine	•
Construction type and design	
Combi-steam oven	•
Convenience features	
Rapid PreHeat	•
Preheating	•
External steam generation	•
Climate sensor	•
Individual humidity settings in combination cooking	•
Menu cooking without transfer of taste	•
Miele Mix & Match	•
Roast probe	wired
Automatic programs with individual setting of the cooking result	•
Keep-warm function	•
Crisp Function	•
Operating modes	
Convection	•
Convection Roast	•
Surround	•
Steam cooking	•
Combi-Steam	•
Combi cooking	•
Combi-Steam with Convection Bake	•
Combi-Steam with Surround	•
Combi-Steam with Maxi Broil	•
Sous-vide	•
Intensive	•
Convection Broil	•
Maxi Broil	•
Broil	•
Broiling operating modes	•
Browning	•
Bake	•
Humidity Plus	•
Defrost	•
Roast with moisture	•
Reheating	•
Warm-up cookware	•
Automatic programs	•
Country-specific automatic programs	•

DGC 7770

30" Compact Combi-Steam Oven XL

for steam cooking, baking, roasting with roast probe + menu cooking.



EAN: 4002516487746 / Material number: 11875780 /

Old Material Number: 23777042USA

Special Modes	•
User convenience	
Networking with Miele@home	•
Display	M Touch
Clear text on control panel	•
MotionReact proximity sensor	•
SoftOpen	•
SoftClose	•
ComfortSwivel handle	•
MultiLingua	•
MyMiele	•
Show me how	•
Motorized lift-up control panel with SoftClose	•
Quantity-independent cooking	•
Steam cooking on up to 3 levels at the same time	•
Automatic menu cooking	•
Steam reduction before end of programme	•
Polyphonic acoustic signals	•
Timers	•
Time of day display	•
Date display	•
Minute minder	•
Programming start of cooking duration	•
Programming end of cooking duration	•
Programmable cooking time	•
Actual temperature display	•
Desired temperature display	•
Audible signal when desired temperature is reached	•
Default temperature	•
Favorites	•
Sabbath program	•
Individual settings	•
Cleaning convenience	
Clean Touch Steel surface	•
Stainless steel oven compartment with linen-weave pattern and PerfectClean finish	•
Foldable broil heater element	•
External steam generator	•
Maintenance programs	•
Soak program	•
Rinse program	•
Cavity drying program	•
Quick-release side racks	•
Removable side racks	•
Descaling	•
CleanGlass door	•
Steam technology/water supply	
DualSteam	•
Fresh water container volume in l	1.4

DGC 7770

30" Compact Combi-Steam Oven XL

for steam cooking, baking, roasting with roast probe + menu cooking.

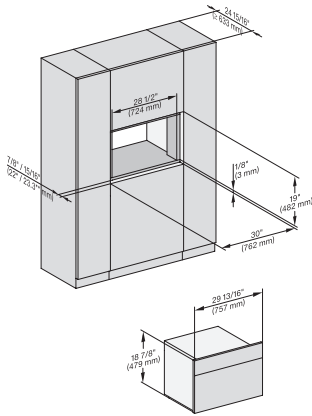
EAN: 4002516487746 / Material number: 11875780 /
Old Material Number: 23777042USA

Fresh-water container tank behind motorized lift-up control panel with SoftClose	•
Condensate container behind motorized lift-up control panel with SoftClose	•
DirectWater	No
Drain filter	•
Safety	
Cooling system with cool touch front	•
Appliance cooling system and cool touch front	•
Safety shut-off	•
Safety cut-out	•
System lock	•
Vapor cooling system	•
Sensor lock	•
Technical data	
Cavity volume in cu.ft (l)	1.7 (48.0)
No. of rack levels	3
Labeling of rack levels	•
Door hinge side	Bottom
Oven interior lighting	BrilliantLight
Oven mode temperatures in °F (°C)	85-450 °F (30-230 °C)
Niche dimensions (W x H x D) in inches (mm)	724-724 x 470-472 x 610
Niche dimensions (W x H x D) in inches (mm)	28 5/8 (724)-28 5/8 (724) x 18 5/8 (470)-18 5/8 (472) x 24 1/8 (610)
Niche width min. in inches (mm)	28 5/8 (724)
Niche width min. in inches (mm)	724
Niche width max. in inches (mm)	28 5/8 (724)
Niche width max. in inches (mm)	724
Niche height min. in inches (mm)	18 5/8 (470)
Niche height min. in inches (mm)	470
Niche height max. in inches (mm)	18 5/8 (472)
Niche height max. in inches (mm)	472
Niche depth in in. (mm)	610
Niche depth in in. (mm)	24 1/8 (610)
Appliance dimensions (W x H x D) in inches (mm)	29 7/8 (757) x 18 7/8 (479) x 22 5/8 (573)
Appliance width in in. (mm)	29 7/8 (757)
Appliance width in in. (mm)	757
Appliance width in in. (mm)	29 7/8 (757)
Appliance height in in. (mm)	18 7/8 (479)
Appliance height in in. (mm)	479
Appliance height in in. (mm)	18 7/8 (479)
Appliance depth in in. (mm)	22 5/8 (573)
Appliance depth in in. (mm)	573
Appliance depth in in. (mm)	22 5/8 (573)
Weight in lbs. (kg)	101 (45.8)
Weight in lbs. (kg)	100.97 (45.8)
Weight in lbs. (kg)	101 (45.8)

DGC 7770

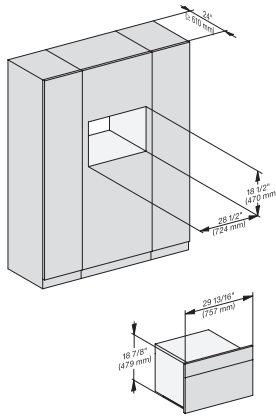
30" Compact Combi-Steam Oven XL

for steam cooking, baking, roasting with roast probe + menu cooking.

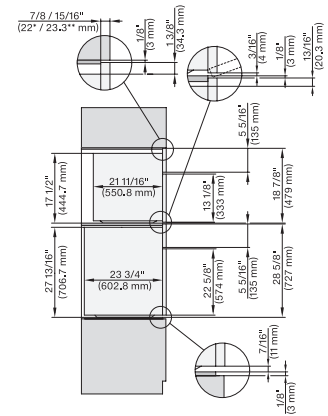


installation 30 inch Flush inset BM30, installation drawing, NA

7/8" – 22* mm – Glas, 15/16" – 23.3** mm – Edelstahl

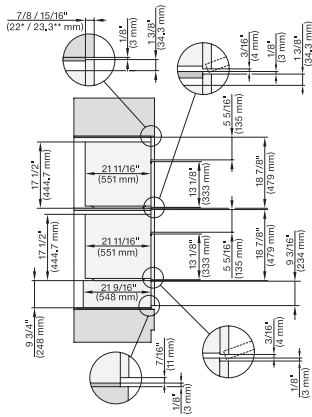


installation 30 inch Proud BM30, installation drawing, NA



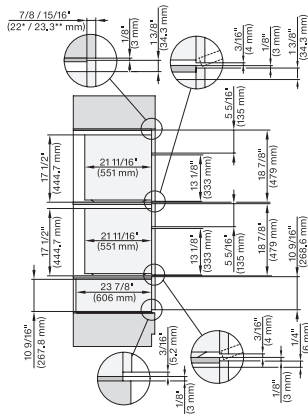
H 6x80 BP, H 6x70 BM, H 6x80-2BP, DGC 7x7x, H 7xxx Combi, Installation drawing, Flush inset, NA

7/8" – 22* mm – Glas, 15/16" – 23.3** mm – Edelstahl



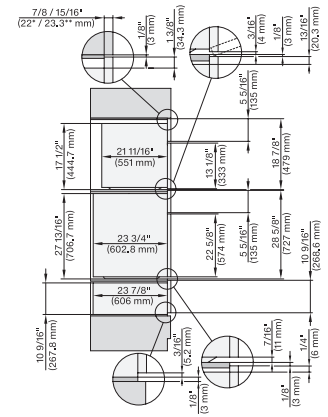
H 6x70 BM, ESW 6x85, DGC7xxx, H7x7x, ESW 7x70 Combi, Installation drawing, Flush inset, Flush inset, NA

7/8" – 22* mm – Glas, 15/16" – 23.3** mm – Edelstahl



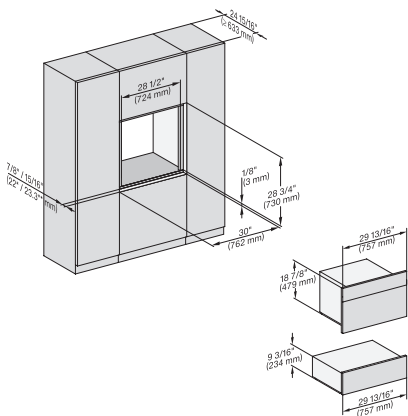
H 6x70 BM, ESW 6x80, DGC7xxx, H7x70, ESW 7x80 Combi, Installation drawing, Flush inset, Flush inset, NA

7/8" – 22* mm – Glas, 15/16" – 23.3** mm – Edelstahl

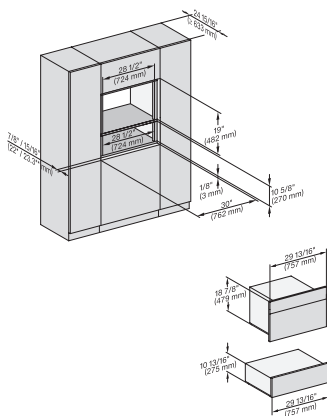


H 6x80 BP, H 6x70 BM, ESW 6x80, H 6x80-2BP, DGC7xxx, H 7xxx, ESW7x80 Combi, Installation drawing, Flush inset, NA

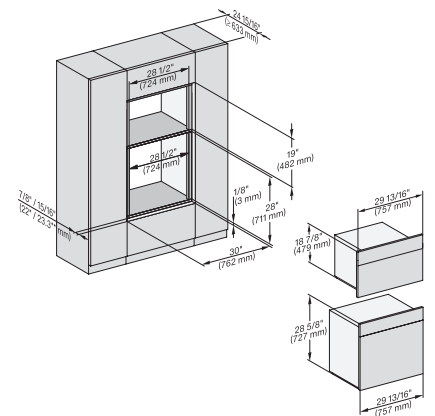
7/8" – 22* mm – Glas, 15/16" – 23.3** mm – Edelstahl



H 6x70 BM, ESW 6x85, DGC7x7x, H7x7x, Exx7x70 Fitting Combi, Installation drawing, Flush inset, NA



H 6x70 BM, ESW 6x80, DGC7x7x, H7x7x, ESW7x80 Fitting Combi, Installation drawing, Flush inset, NA

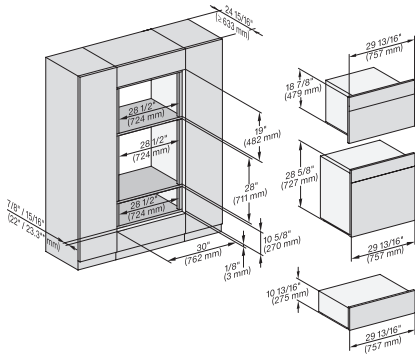


H 6x80 BP, H 6x70 BM, H 6x80-2BP, DGC7x7x, H7xxx Fitting Combi, Installation drawing, Flush inset, NA

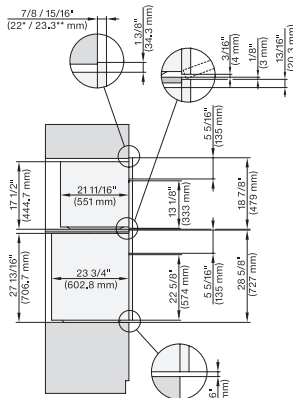
DGC 7770

30" Compact Combi-Steam Oven XL

for steam cooking, baking, roasting with roast probe + menu cooking.

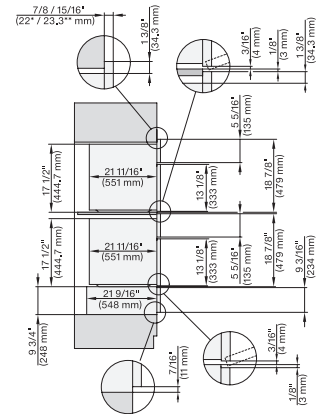


H 6x80 BP, H 6x70 BM, ESW 6x80, H 6x80-2BP, DGC7xxx, H7xxxBM/BMx/BP/BPx, H2x80BP, ESW7x80, Installation drawing, NA



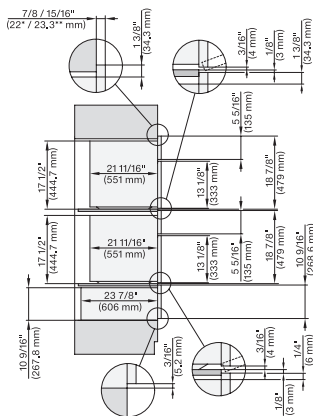
H 6x80 BP, H 6x70 BM, H 6x80-2BP, DGC7x7x, H7x70BM, H7x80BPx, Combi, Installation drawing, Proud, NA

7/8" – 22* mm – Glas, 15/16" – 23.3** mm – Edelstahl



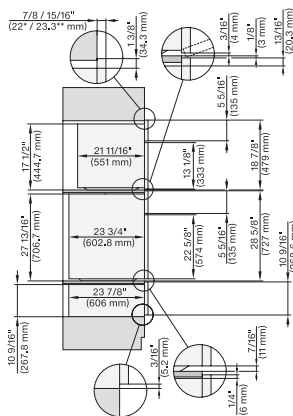
H6x70BM, ESW6x85, DGC7x7x, H7x70BM, ESW7x70, EVS7670,Combi, Installation drawing, Proud, Flush inset, NA

7/8" – 22* mm – Glas, 15/16" – 23.3** mm – Edelstahl



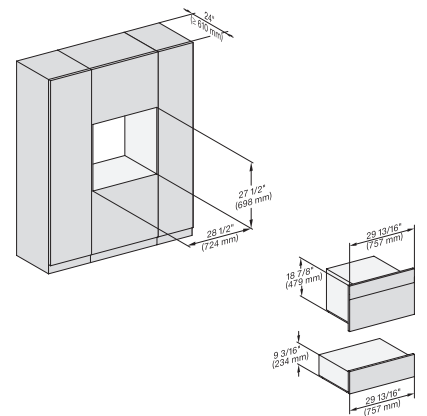
H6x70BM, ESW6x80, DGC7x7x(X), H7x70BM, ESW7x80, Combi, Installation drawing, Proud, Flush inset, NA

7/8" – 22* mm – Glas, 15/16" – 23.3** mm – Edelstahl

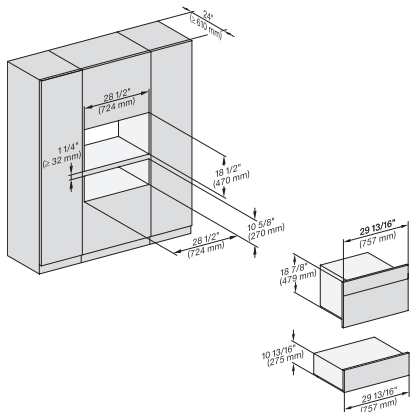


H6x80(2)BP, H6x70BM, ESW6x80, DGC7x7x(X), H7x70BM(X), H7x80BP, ESW7x80, Combi, Installation drawing, Proud, Flush inset,

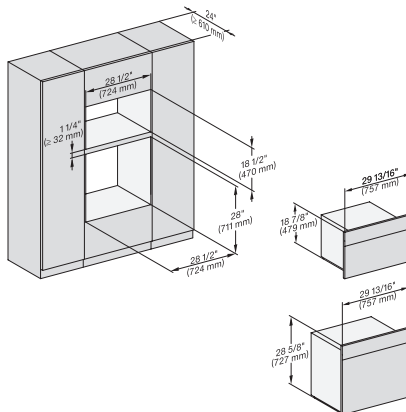
7/8" – 22* mm – Glas, 15/16" – 23.3** mm – Edelstahl



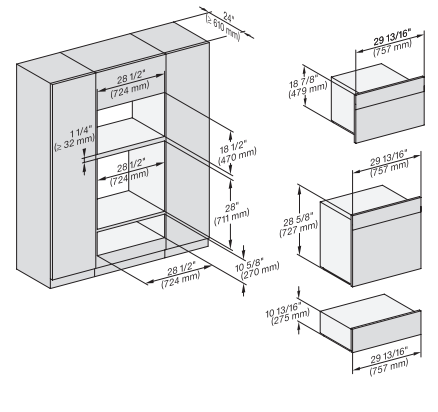
H6x70BM, ESW6x85, DGC7x7x, H7x70BMx, ESW7x70, EVS7x70, Fitting Combi, Installation drawing, Proud, NA



H 6x70 BM, ESW 6x80, DGC7x70X, H7x70BM, ESW7x80, Fitting Combi, Installation drawing, Proud, NA



H6x80BP, H6x70BM, H6x80-2BP, DGC7x7x, H7x70BM, H2x80BP, H7x80BP(X), Fitting Combi, Installation drawing, Proud, NA



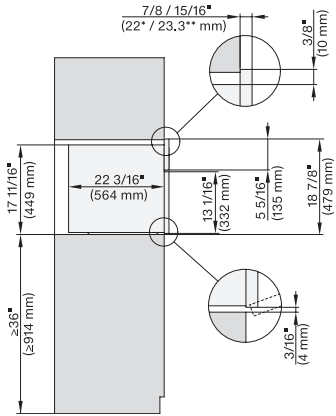
H 6x80 BP, H 6x70 BM, ESW 6x80, H 6x80-2BP, NA7000 Fitting Combi, Installation drawing, Proud, NA

<https://miele-mms.de.miele.net/mms/admin/forward.php#>

DGC 7770

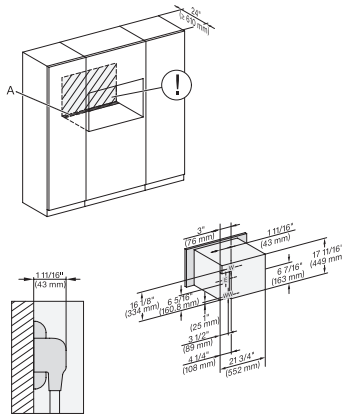
30" Compact Combi-Steam Oven XL

for steam cooking, baking, roasting with roast probe + menu cooking.



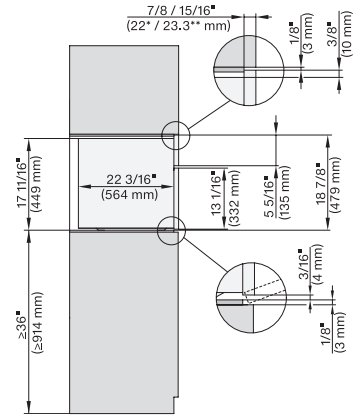
side view 30 inch Proud DGC30 XL, installation drawing, NA

7/8" – 22" mm – Glass, 15/16" – 23.3** mm – Stainless steel



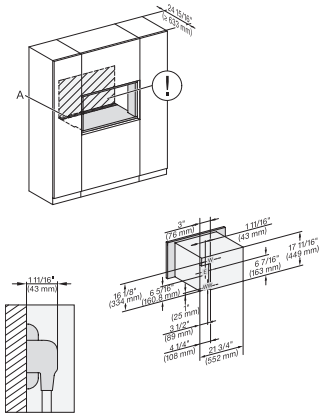
installation 30 inch Proud DGC30 XL, installation drawing, NA

A – Cut-out (1 9/16" x 19 11/16" / 40 mm x 500 mm) in the bottom of the cabinet for power cord and ventilation, – Electrical and water supplies are recommended to be placed in adjacent cabinetry. Additional cabinet depth is required when placing the electrical and water supplies behind the appliance., E = Electric connection, W = Water connection, L = 9' 10 1/8" (3,000 mm), WW = Waste water connection, L = 9' 10 1/8" (3,000 mm), The top end of the drain hose to the inlet of the odor trap must not be higher than 19 11/16" (500 mm).



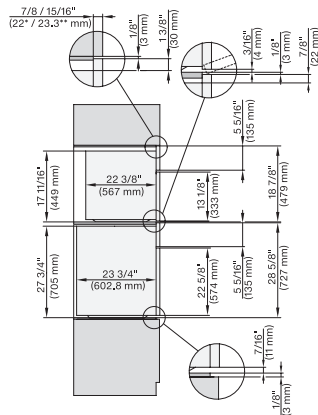
side view, 30 inch Flush inset DGC30_XL, installation drawing, NA

7/8" – 22" mm – Glass, 15/16" – 23.3** mm – Stainless steel



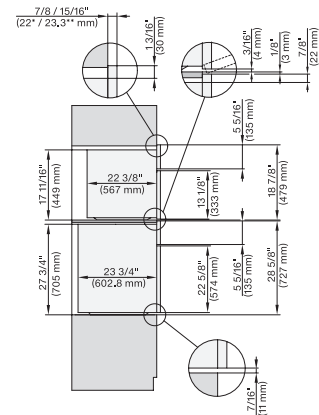
installation 30 inch Flush inset DGC30 XL, installation drawing, NA

A – Cut-out (1 9/16" x 19 11/16" / 40 mm x 500 mm) in the bottom of the cabinet for power cord and ventilation, – Electrical and water supplies are recommended to be placed in adjacent cabinetry. Additional cabinet depth is required when placing the electrical and water supplies behind the appliance., E = Electric connection, W = Water connection, L = 9' 10 1/8" (3,000 mm), WW = Waste water connection, L = 9' 10 1/8" (3,000 mm), The top end of the drain hose to the inlet of the odor trap must not be higher than 19 11/16" (500 mm).



DGC7x7x(X), H7x8x(X)BP, side view, 30 Zoll, Flush inset, combi, XL, 650

7/8" – 22" mm – Glass, 15/16" – 23.3** mm – Stainless steel



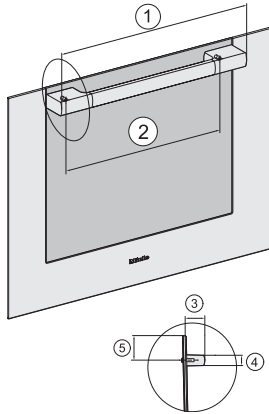
DGC7xxx, H2x80BP, H7x8xBP(X), side view, 30 Zoll, Proud, combi, XL, 650

7/8" – 22" mm – Glass, 15/16" – 23.3** mm – Stainless steel

DGC 7770

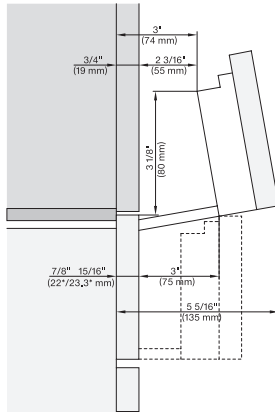
30" Compact Combi-Steam Oven XL

for steam cooking, baking, roasting with roast probe + menu cooking.



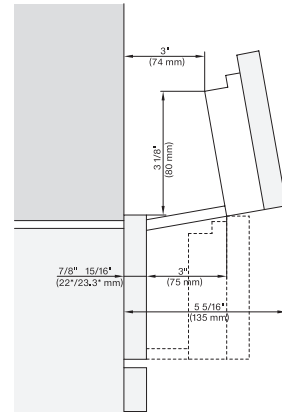
Handle 30" DGC73xx, DGC75xx, DGC77xx, H71xx, H75xx, H77xx, ContourLine – NA7000 - Installation drawing

① 21 1/8" / 536 mm, ② 17 1/2" / 444 mm, ③ 2 1/2" / 64 mm, ④ 1 3/8" / 35 mm, ⑤ 1 7/16" / 37 mm



Swivel range Flush inset DGC 30 inch, installation drawing, NA

7/8" – 22* mm – Glas, 15/16" – 23.3** mm – Edelstahl



swivel range 30 inch Proud DGC, installation drawing, NA

7/8" – 22* mm – Glas, 15/16" – 23.3** mm – Edelstahl