

# Dual-Fuel Freestanding Range

E36DF76GPS professional series



**Smooth-Glide® Oven Racks**  
Ball bearing oven racks glide with unparallel ease and extend fully for effortless access.



**Min-2-Max Burners®**  
With the widest range of BTU performance in the industry, these best-in-class dual-flame sealed burners offer unrivaled versatility—from a roaring 18,000-BTU boil to a gentle 450-BTU simmer.



**CustomConvect3™ Convection Technology**  
Distributes heat evenly throughout the oven by adding a third cooking element plus a variable speed fan.



**Extra-Large Oven Capacity**  
Spacious 6.4 cubic foot interior gives you all the cooking space you need.

## 36" DUAL-FUEL FREESTANDING RANGE

### CONTROL PANEL FEATURES

Electronic Oven Control	Yes
Professional-Style Stainless Steel Console	Yes
Large Professional Skirted Knobs with Bezel	8

### RANGETOP FEATURES

Min-2-Max Burners® (BTU)	2 (18,000 – 450)
Sealed Power Burner™ (BTU)	2 (14,000)
Sealed Precision Burner™ (BTU)	1 (9,500) 1 (5,000)
Continuous Grates	3
Electronic Ignition	Yes

### OVEN CAVITY FEATURES

Capacity	6.4 Cu. Ft.
Bake Element (Watts)	3000
Broil Element (Watts)	4000
Convection Element (Watts)	2500
Signature Cobalt Blue Oven Interior	Yes
CustomConvect3™ Convection System	Yes
Self-Clean with Door Lock	Yes
Extra-Wide Oven Window	Yes
Halogen Oven Light	2
Eight-Pass Bake & Broil	Yes
Smooth-Glide® Oven Racks	3
Conventional Rack	1
Convection Roasting Rack	1
Hidden Bake Element	Yes

### ADDITIONAL FEATURES

Stainless Steel Backsplash	6"
Full Stainless Steel Side Panels	Yes
Professional Handle	Yes
Fully Adjustable, Heavy-Duty Legs	Yes

### ACCESSORIES

Broil Pan and Insert	Included
Stainless Steel Cleaner	Included
Griddle	Included
Wok Ring	Included
Simmer Plate	Included
9" Stainless Steel Backsplash – PN# 903104-9100	Optional
12" Stainless Steel Backsplash – PN# 903105-9100	Optional
4" Stainless Steel Kick Plate – PN# 318352652	Optional
Stainless Steel Island Trim Kit – PN# 903106-9100	Optional
Black Knobs Kit – PN# 903108-9020	Optional

### SPECIFICATIONS

Oven Cavity Dimensions –	
Height	18-3/4"
Width	30-1/8"
Depth	19-5/8"
Product Dimensions –	
Height (Including Adjustable Legs)	41-5/8" – 42-5/8"
Width	35-7/8"
Depth (Including Handle) (with 90° Door Open)	28-3/4" 47-3/8"
Gas Supply Connection Location	Left Bottom Rear
Power Supply Connection Location	Right Bottom Rear
Amps @ 240/208 Volts	27/23
Minimum Circuit Required (Amps)	30
Connected Load (kW Rating) @ 240/208 Volts	6.5/4.8
LP Gas Conversion Kit	Included
Shipping Weight (Approx.)	404 Lbs.

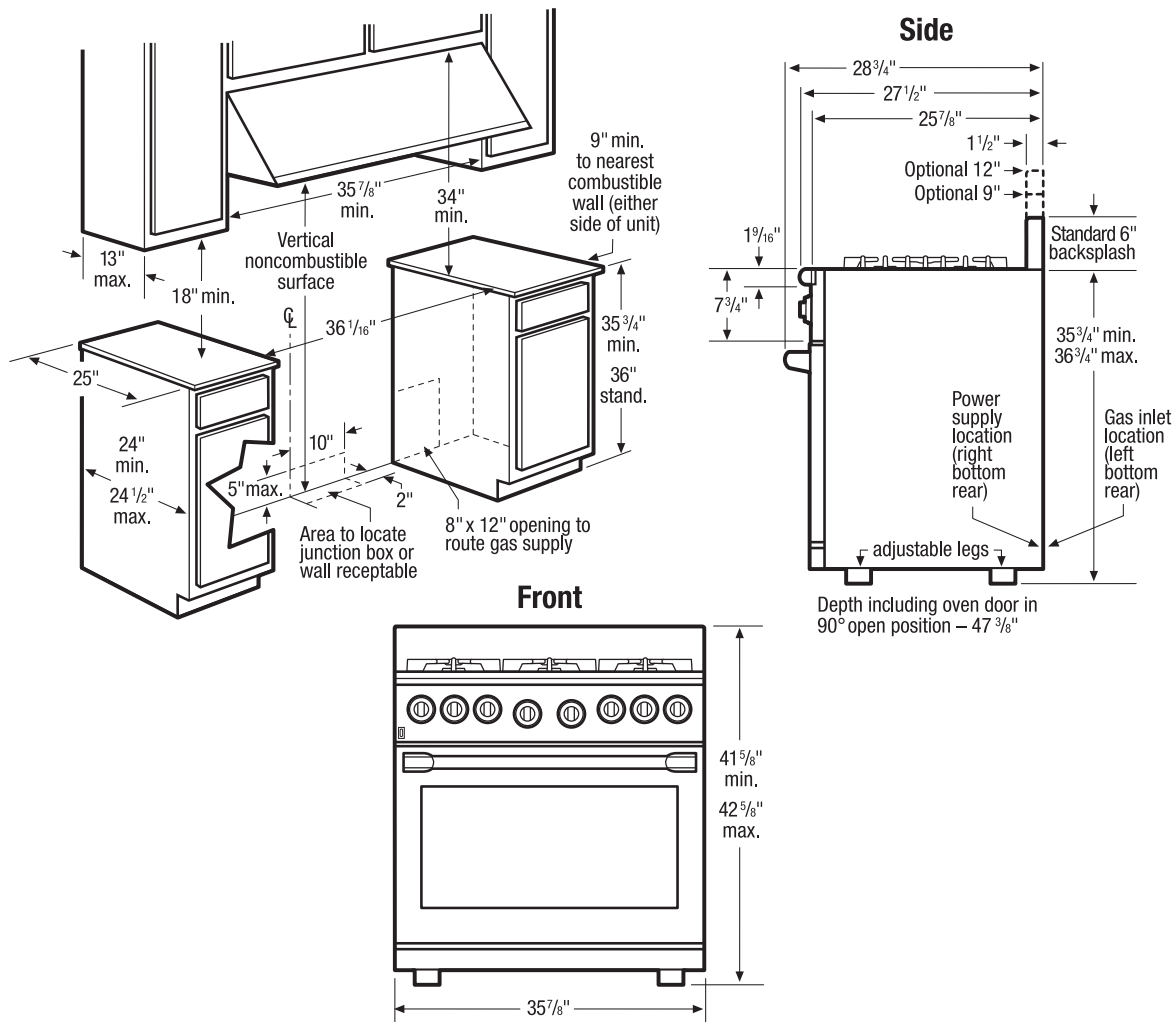
NOTE: Always consult local and national electric and gas codes. Refer to Product Installation Guide for detailed installation instructions on the web at [electroluxicon.com](http://electroluxicon.com).

Specifications subject to change.

# Dual-Fuel Freestanding Range

E36DF76GPS professional series

Electrolux | ICON®



## 36" Dual-Fuel Freestanding Range Specifications

- Product Weight – 352 Lbs.
- Single phase 3- or 4-wire cable, 120/240 or 120/208 Volt, 60 Hertz AC only electrical supply with ground required on separate circuit fused on both sides of line.
- Connected Load (kW Rating) @ 240/208 Volts = 6.5/4.8kW
- Amps @ 240/208 Volts = 27/23 Amps
- Recommended Circuit Breaker – 30 Amps
- Always consult local and national electric and gas codes.
- Range ships with 3/4" factory regulator.
- LP Gas conversion kit supplied.
- Overhead cabinetry should not exceed a 13" maximum depth.
- Allow 34" minimum clearance between top of rangetop and bottom of unprotected wood or metal overhead cabinetry.
- Absolute minimum horizontal distance between overhead cabinets installed to either side of appliance must be no less than maximum width of appliance.
- Allow 9" minimum clearance from edge of rangetop to nearest combustible wall on either side of unit.

- Allow 28" minimum clearance when bottom of wood or metal overhead cabinet is protected by not less than 1/8" flame-retardant millboard covered with not less than No.28 MGS sheet steel, 0.015" stainless steel, 0.024" aluminum or 0.020" copper.
- To reduce risk of fire when using overhead cabinetry, install vent hood that projects horizontally a recommended minimum of 5" beyond bottom of cabinets.

**Note:** For planning purposes only. Refer to Product Installation Guide on the web at [electroluxicon.com](http://electroluxicon.com) for detailed instructions.

### Optional Accessories

- 9" Stainless Steel Backsplash – (PN# 903104-9100).
- 12" Stainless Steel Backsplash – (PN# 903105-9100).
- Stainless Steel Island Trim Kit (for use in place of backsplash) – (PN# 903106-9100).
- 4" Stainless Steel Kick Plate – (PN# 318352652).
- Black Knobs Kit – (PN# 903108-9020).

## Electrolux Major Appliances, N.A.

USA • 10200 David Taylor Drive • Charlotte, NC 28262 • 1-877-4electrolux (1-877-435-3287) • [electroluxicon.com](http://electroluxicon.com)  
 CANADA • 5855 Terry Fox Way • Mississauga, ON L5V 3E4 • 1-800-265-8352 • [electroluxicon.ca](http://electroluxicon.ca)



# General Installation Guidelines

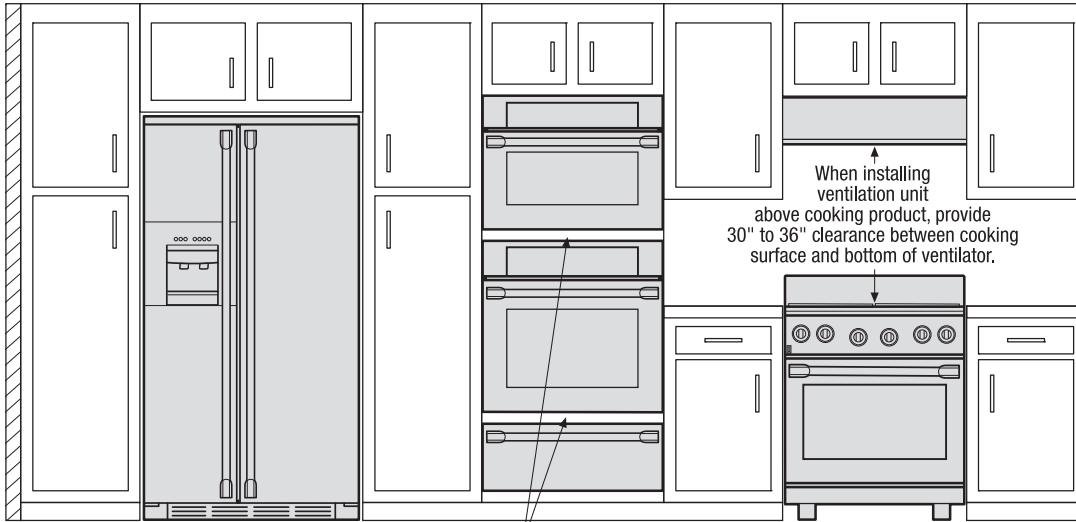
For Installation with Counter-Depth Side-by-Side Refrigerator



Electrolux | ICON®

Use these dimensions and clearance instructions for planning purposes only. For detailed installation instructions, refer to installation guide, packed with product, or on the web at [electroluxicon.com](http://electroluxicon.com).

Front

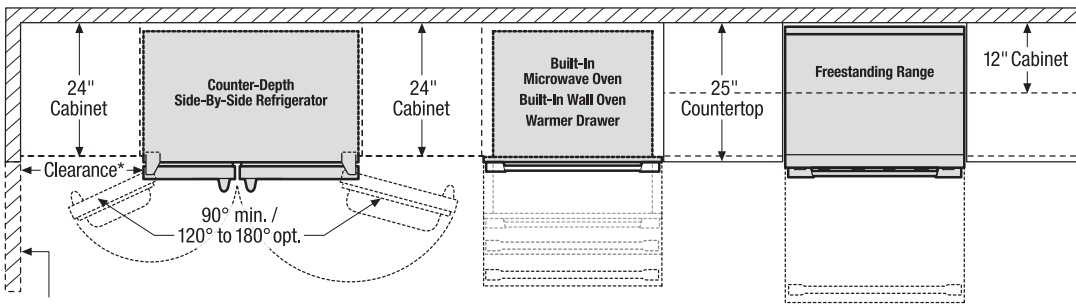


When installing built-in cooking appliances in combination, 2"-high minimum visible gap between appliance faceplates required.

Clearance information for cooking appliances, provided in specific product's installation guide.

When installing ventilation unit above cooking product, provide 30" to 36" clearance between cooking surface and bottom of ventilator.

Top

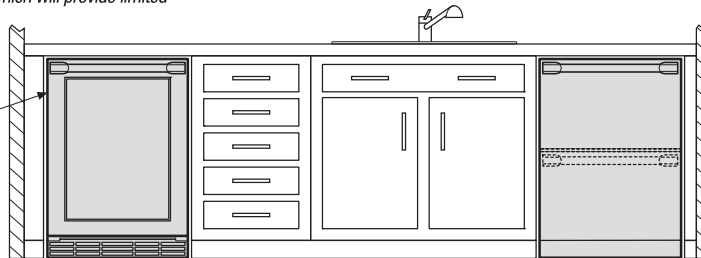


\*When installing side-by-side refrigerator adjacent to wall, cabinet or another appliance that extends beyond front edge of unit, 20" minimum clearance recommended to allow for optimum 120° to 180° door swing, providing complete drawer/crisper access and removal. (Absolute 4-1/2" minimum clearance will ONLY allow for 90° door swing which will provide limited drawer/crisper access with restricted removal.)

When installing appliance with sliding drawer or drop-down door directly across from obstructions, provide sufficient clearance for drawer extension or door swing.

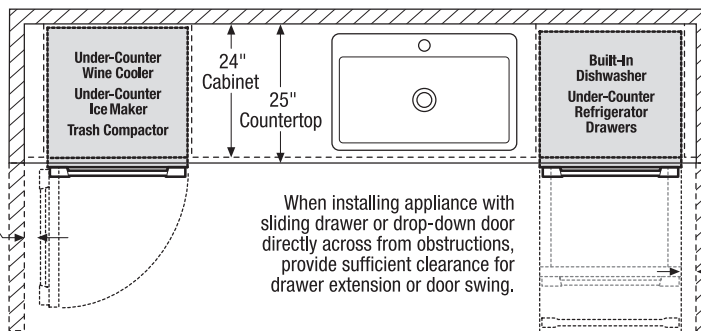
Front

To ensure optimum performance, avoid installing refrigeration appliances in direct sunlight or near heat source.



Top

When installing appliance with side-swing door adjacent to wall, cabinet, or other obstruction that extends beyond front edge of appliance, door swing and handle clearance must be sufficient to allow access to appliance interior.



When installing appliance with sliding drawer or drop-down door directly across from obstructions, provide sufficient clearance for drawer extension or door swing.

When installing appliance with sliding drawer or drop-down door adjacent to wall, cabinet, or other obstruction that extends beyond front edge of appliance, allow 2" minimum clearance between drawer or door and obstruction.

## Electrolux Major Appliances, N.A.

USA • 10200 David Taylor Drive • Charlotte, NC 28262 • 1-877-4electrolux (1-877-435-3287) • [electroluxicon.com](http://electroluxicon.com)  
 CANADA • 5855 Terry Fox Way • Mississauga, ON L5V 3E4 • 1-800-265-8352 • [electroluxicon.ca](http://electroluxicon.ca)

High standards of quality at Electrolux Home Products, Inc. mean we are constantly working to improve our products. We reserve the right to change specifications or discontinue models without notice.

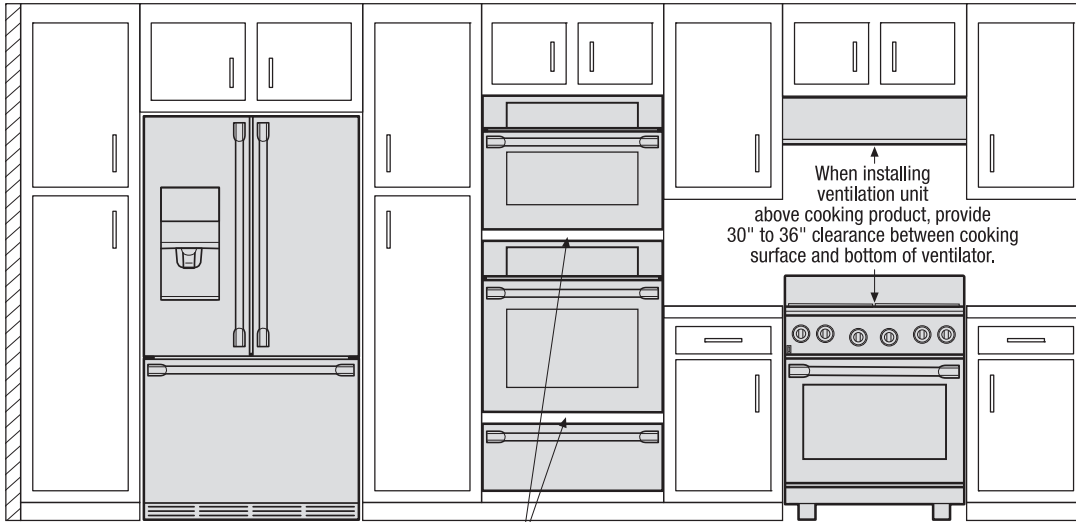
# General Installation Guidelines

For Installation with Counter-Depth French Door Refrigerator



Use these dimensions and clearance instructions for planning purposes only. For detailed installation instructions, refer to installation guide, packed with product, or on the web at [electroluxicon.com](http://electroluxicon.com).

Front

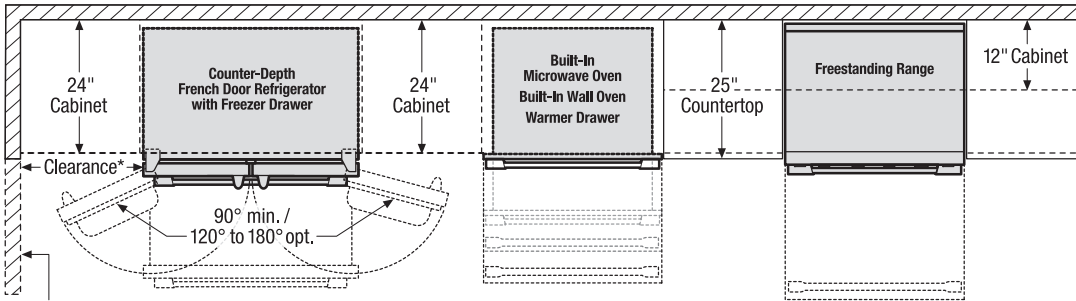


When installing built-in cooking appliances in combination, 2"-high minimum visible gap between appliance faceplates required.

Clearance information for cooking appliances, provided in specific product's installation guide.

When installing ventilation unit above cooking product, provide 30" to 36" clearance between cooking surface and bottom of ventilator.

Top

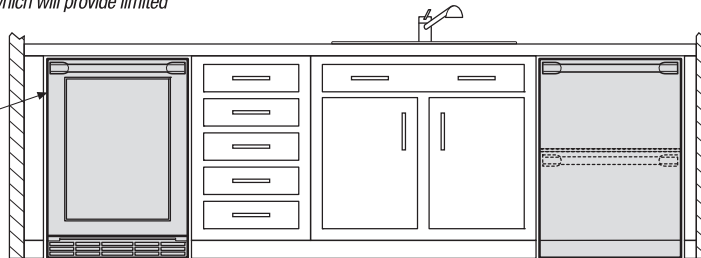


\*When installing French door refrigerator adjacent to wall, cabinet or another appliance that extends beyond front edge of unit, 20" minimum clearance recommended to allow for optimum 120° to 180° door swing, providing complete drawer/crisper access and removal. (Absolute 4-1/2" minimum clearance will ONLY allow for 90° door swing which will provide limited drawer/crisper access with restricted removal.)

When installing appliance with sliding drawer or drop-down door directly across from obstructions, provide sufficient clearance for drawer extension or door swing.

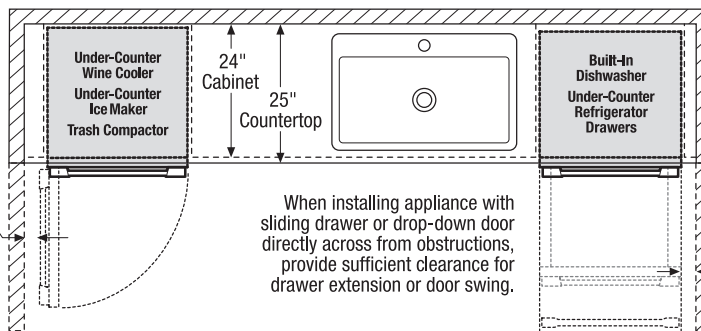
Front

To ensure optimum performance, avoid installing refrigeration appliances in direct sunlight or near heat source.



Top

When installing appliance with side-swing door adjacent to wall, cabinet, or other obstruction that extends beyond front edge of appliance, door swing and handle clearance must be sufficient to allow access to appliance interior.



When installing appliance with sliding drawer or drop-down door directly across from obstructions, provide sufficient clearance for drawer extension or door swing.

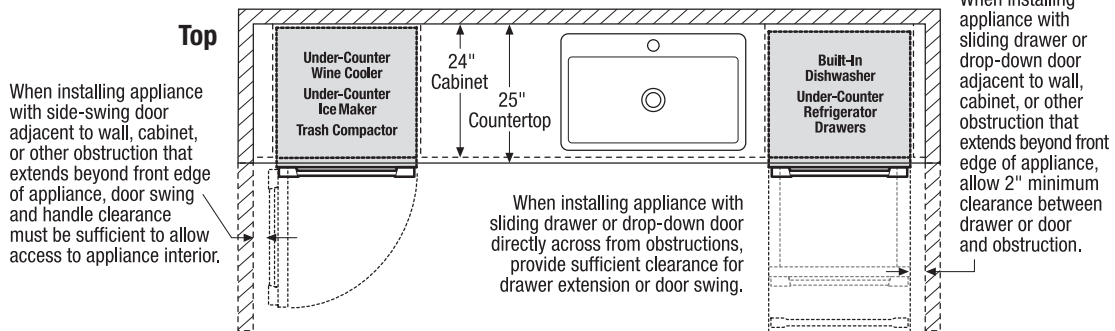
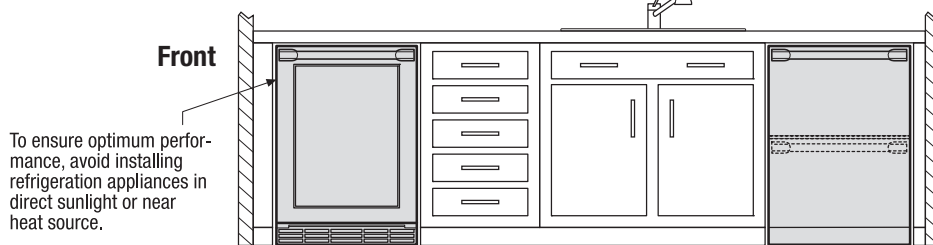
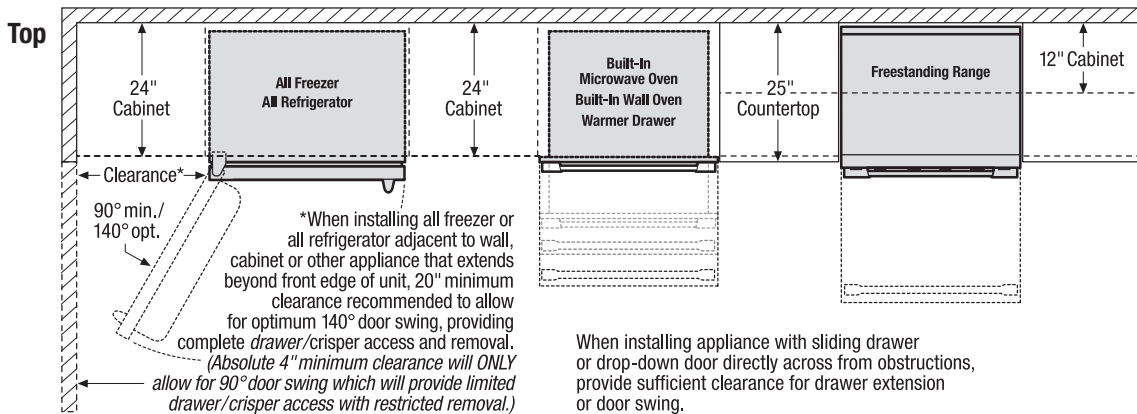
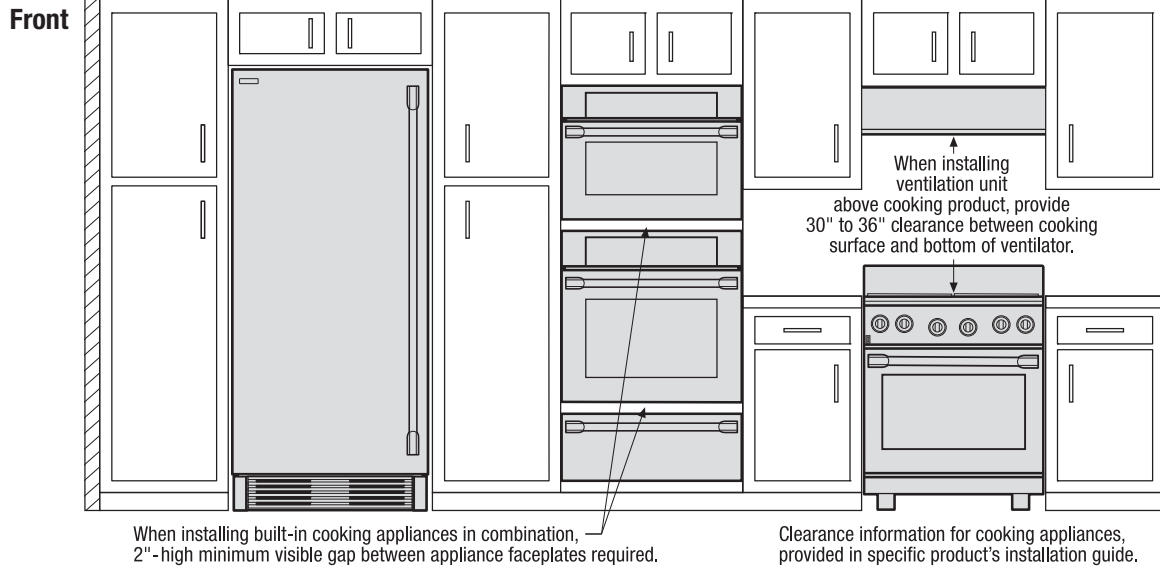
When installing appliance with sliding drawer or drop-down door adjacent to wall, cabinet, or other obstruction that extends beyond front edge of appliance, allow 2" minimum clearance between drawer or door and obstruction.

## Electrolux Major Appliances, N.A.

USA • 10200 David Taylor Drive • Charlotte, NC 28262 • 1-877-4electrolux (1-877-435-3287) • [electroluxicon.com](http://electroluxicon.com)  
 CANADA • 5855 Terry Fox Way • Mississauga, ON L5V 3E4 • 1-800-265-8352 • [electroluxicon.ca](http://electroluxicon.ca)

High standards of quality at Electrolux Home Products, Inc. mean we are constantly working to improve our products. We reserve the right to change specifications or discontinue models without notice.

Use these dimensions and clearance instructions for planning purposes only. For detailed installation instructions, refer to installation guide, packed with product, or on the web at [electroluxicon.com](http://electroluxicon.com).



## Electrolux Major Appliances, N.A.

USA • 10200 David Taylor Drive • Charlotte, NC 28262 • 1-877-4electrolux (1-877-435-3287) • [electroluxicon.com](http://electroluxicon.com)  
 CANADA • 5855 Terry Fox Way • Mississauga, ON L5V 3E4 • 1-800-265-8352 • [electroluxicon.ca](http://electroluxicon.ca)

High standards of quality at Electrolux Home Products, Inc. mean we are constantly working to improve our products. We reserve the right to change specifications or discontinue models without notice.