

# Catania

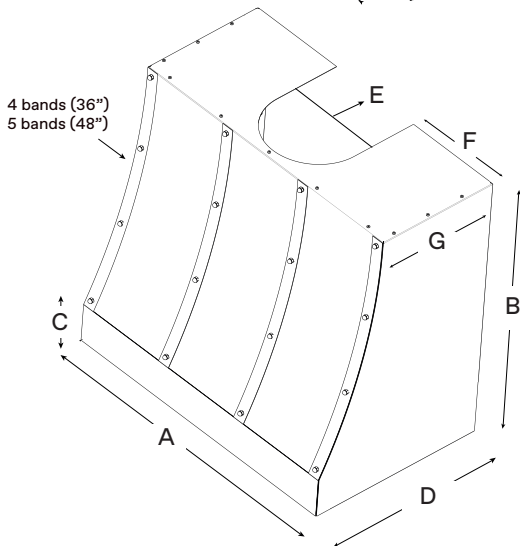
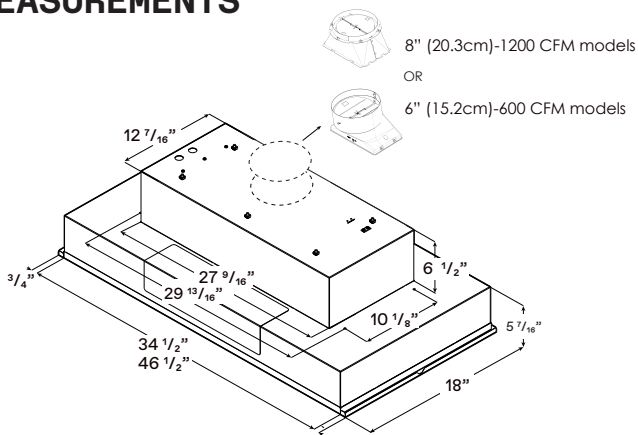
## Wall mount hood

Specification sheet



Learn more

### MEASUREMENTS



	ECTX36SS	ECTX48SS
A	36" (91.6 cm)	48" (122.1 cm)
B	34 1/16" (76.2 cm)	34 1/16" (76.2 cm)
C	5" (12.6 cm)	
D	22 1/8" (56.2 cm)	
E	11 13/16" (30 cm)	
F	12 1/8" (30.8 cm)	18 1/8" (46 cm)
G	15 5/16" (38.9 cm)	15 5/16" (38.9 cm)

### DESCRIPTION

The robust structure and stunning stainless of the Catania hood is a reflection of how the volcanic Mount Etna and Ionian Sea surround the city of Catania, on the Island of Sicily Italy. The piazza shaped design, seamless edges, mirrored stainless front rim and decorative banding & rivets deliver a bold statement and complement even the most glamorous kitchens.

Designed to support those with a passion for food & gourmet cooking, Catania can be equipped with 600 or 1200 cfm blowers, soft LED lighting, plus Elica's patented HUSH sound suppression system will keep the conversation going.

Available in 36" and 48" widths, and built with Italian craftsmanship and precision equipment that delivers seamless welding that is flawless, and a superior fit & finish that is Noticeable. The patented Easy Mounting system enables the hood to be installed in just 6 easy steps, and ducting out the rear wall is Now Possible.



### FEATURES

- 🔊 Hush system
- ⚙️ Elica easy mounting
- 🔥 Heat guard
- 👉 Top or Rear outlet
- 👁️ Seamless look
- 🏆 Professional performance
- 🧼 Grease collectors



### GENERAL PROPERTIES

Width	36"	48"
Model	ECTX36SS	ECTX48SS
Dimensions	36"W x 22 <sup>1</sup> / <sub>8</sub> "D x 34"H	48"W x 22 <sup>1</sup> / <sub>8</sub> "D x 34"H
Blower type: (sold separately)	Requires purchase of insert hood ETR634SS (600 CFM) or ETR134S1 (1200 CFM)	Requires purchase of insert hood ETR146SS (1200 CFM)
Finish	Stainless Steel +Front and lateral rim-mirror stainless steel +Decorative bands & rivets-mirror stainless steel 2 for 36" & 3 for 48"	
Installation type	6 easy steps for mounting, compatible with Trento insert	

### KITS

Duct cover extension	KIT0182785 (36" width x 6" tall) KIT0182786 (36" width x 18" tall)	KIT0182787 (48" width x 6" tall) KIT0182788 (48" width x 18" tall)
----------------------	---	---

Compatible with Trento Insert Hood kits

### 6 EASY STEPS FOR MOUNTING

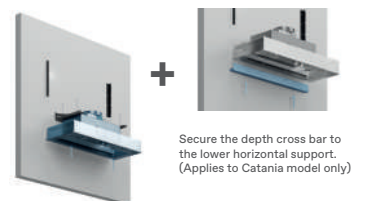
- 1** Drill using installation template.



- 2** Fix support brackets to wall and ceiling.



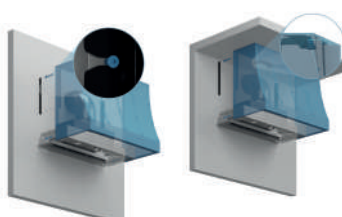
- 3** Secure the insert hood to the lower support.



- 4** Affix the ducting.  
Choose between Rear or Ceiling Outlet.



- 5** Slip the fixed bolts on the shell into the eyelets in the vertical brackets, lay the top of the shell over the ceiling bracket. A solid connection will create a "click".



- 6** Secure the insert hood to the shell from the inside placing the screws on the corresponding drill holes.



\*For ceiling flush installation, an optional Trim Kit is available.

# Trento

## Insert hood



Catania Range Hood needs to be paired with the Trento Insert Hood.

### GENERAL PROPERTIES

	28 1/2"	34 1/2"	46 1/2"
Width	28 1/2"	34 1/2"	46 1/2"
Model	ETR628S4	ETR634SS* ETR134S4**	ETR146S4
Dimensions	28 1/2"W x 22"D x 11 7/8"H	34 1/2"W x 25"D x 11 7/8"H	46 1/2"W x 22"D x 11 7/8"H
Blower Type <sup>1</sup> (Internal)	600 CFM (4-speed)	600 CFM (4-speed)* 1200 CFM (4-speed)**	1200 CFM (4-speed)
Noise (Min-max sones) <sup>1</sup>	1.7-7.0 Sones	1.7-8.5 Sones* 1.7-7.0 Sones**	1.7-8.5 Sones
Electrical	120V-60Hz,463W	120V-60Hz,490W* 120V-60Hz,913W**	120V-60Hz,926W
Illumination	2 LED, 6.5W, 3000K, 540 Lumen		4 LED, 6.5W, 3000K, 540 Lumen
Finish	Stainless Steel		
Controls	Fully Retractable Rotating Knobs with Blue backlighting		
Grease filters	Dishwasher-Safe, Professional Stainless Steel Angled Baffle Filters (2 for 28 1/2", 34 1/2" & 3 for 46 1/2")		
Installation type	Ducted or recirculating w/kit		
Duct transition	6" Round with Backdraft Damper (Top Only)	6" / 8" / 10" Round with Backdraft Damper (Top Only)	8" Round with Backdraft Damper (Top Only)

### KITS

External Blower	KIT0153054 (1200 CFM blower 8" or 10" compatible)
Inline Blower	KIT0154387 (1200 CFM blower 8" or 10" compatible)
Inline Blower Shell (1200 CFM)	KIT0179549 (For use with 1200 CFM blower, 8" or 10" compatible)
Inline Blower Shell (600 CFM)	KIT0205342 (For use with 600 CFM blower, 6" compatible)
External Blower Shell	KIT0179547 (For use with 1200 CFM blowers only)
Recirculation (600 CFM)	KIT0192765 (4 round carbon filters) + KIT0195736 (6" round deflector)
Recirculation (1200 CFM)	KIT0192765 (4 round carbon filters) + KIT0192763 (8" round deflector)
Electronic CFM Reduction Bypass	KIT0185752 (Achieve <300 CFM, for 600 CFM Blower) KIT0185099 (Achieve <400 CFM, for 1200 CFM Blower)
Transition Reducer Kit	KIT0185271 (10" round down to 8" round - attaches to 10" round transition)

**WARRANTY:<sup>2</sup> Two (2) Years Parts & In-Home Labor. Earn an additional One (1) Year of Parts & In-Home Labor by registering on [elica.com](http://elica.com)**



The product images shown are for illustration purposes only and may not be an exact representation of the product.  
<sup>1</sup> CFM and Noise data indicate the performance of the hood blower tested according to international standards. For AHAM Certified Ratings, established in accordance with California Title 24 Standardized test procedure, please refer to AHAM Certified Product Directory. Electric Ratings are declared according to UL.

<sup>2</sup> For valid warranty extension, register within 3 months from purchase. For USA & Canada Users Only.