

Induction Freestanding Range

EI30IF40LS

Featuring IQ-Touch™ Controls & Induction Cooktop



More Responsive

Cooking with induction is more responsive than gas or electric—you can instantly adjust the heat to a delicate simmer or bring it to a quick boil.



Exceptional Temperature Control

Adjust heat with greater accuracy than gas or electric cooktops, especially at lower settings. Perfect for melting chocolate and cooking delicate foods and sauces.



Fresh Clean™ Self-Cleaning Oven System

Innovative feature cleans your oven with virtually no odor or smoke of a conventional self-cleaning oven.



Luxury-Glide® Oven Rack

With a ball bearing system, the oven rack is so smooth it extends effortlessly.

30" INDUCTION FREESTANDING RANGE

Control Panel Features

IQ-Touch™ Electronic Oven Control	Yes
Perfect Set® Element Controls	Yes
Glass Front Display	
Electronic Clock & Timer	Yes
Temperature Display	Yes
Automatic Oven (Delay, Cook & Off)	Yes

Induction Cooktop Features

Flex-2-Fit® Ceramic Glass Smoothtop	Yes
10" Induction Cooking Element – 2,600/4,000W	1
7" Induction Cooking Element – 1,920/2,540W	2
5" Induction Cooking Element 800/1,000W	1
Warming Zone – 120W	1
Hot Surface Indicator Light	

Oven Features

Capacity	6.0 Cu. Ft.
Hidden Bake Element	Yes
Eight-Pass Bake Element – 3,500 Watts	Yes
Eight-Pass Broil Element – 4,000 Watts	Yes
Convection Element – 350 Watts	Yes
Cobalt Blue Interior	Yes
Self-Clean Options with Door Lock	3
Perfect Convection3®	Yes
Cooking Modes – Bake, Broil, Convection Bake, Convection Roast, Convection Broil, Keep Warm, Slow Cook	7
Baking Options – My Favorite, Rapid Preheat, Delay Bake, Convection Convert	4
Luxury-Design® Lighting with 40W Halogen Bulb	Yes
Luxury-Glide® Racks	1
Deep-Sump Racks	1
Conventional Racks	2
Convection Roasting Rack	

Additional Features

Signature Soft-Arc Handle Design	Yes
Luxury-Hold™ Oven Door	Yes
Picture Glass Window	Yes
Warmer Drawer	Yes
Adjustable Leveling Legs	Yes
Sabbath Mode (Star-K® Certified)	Yes

Accessories

Griddle – PN # 318583902	Optional
Porcelain Broiler Pan and Insert	Included

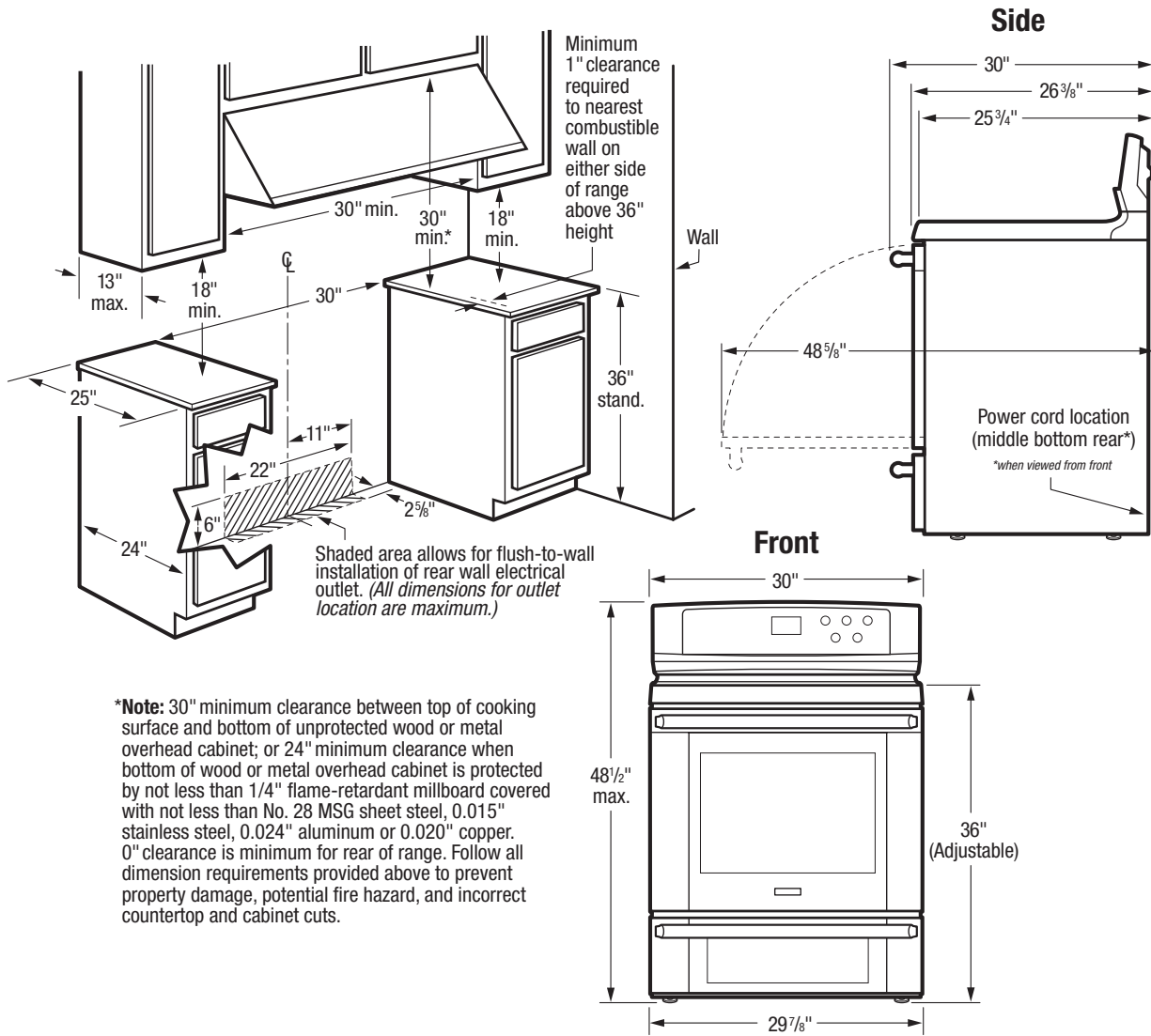
Specifications

Color –	
Stainless Steel	S
Oven Cavity Dimensions –	
Height	22-1/4"
Width	24-3/8"
Depth	19-1/8"
Product Dimensions –	
Height	48-1/2"
Width	29-7/8"
Depth (to Center of Arc Including Rear Extrusion) (with 90° Door Open Including Rear Extrusion)	26-3/8" 48-5/8"
Power Cord Location	Middle Bottom Rear
Voltage Rating	240V / 60 Hz / 50A
Connected Load (kW Rating) @ 240/208 Volts	16.4/12.5
Minimum Circuit Required (Amps)	40 Amps
Shipping Weight (Approx.)	250 Lbs.

NOTE: Always consult local and national electric codes. Refer to Product Installation Guide for detailed installation instructions on the web at electroluxappliances.com. Specifications subject to change.

Induction Freestanding Range

EI30IF40LS



30" Induction Freestanding Range Specifications

- Product Weight – 241 lbs.
- Single phase 3- or 4-wire cable, 120 / 240 or 120 / 208 Volt, 60 Hertz, fused on both sides of line with ground.
- Connected Load (kW Rating) @ 240 / 208 Volts = 16.4 / 12.5
- Amps @ 240 / 208 Volts = 40 Amps
- Recommended Circuit Breaker – 50 Amps
- Always consult local and national electric codes.
- Make sure wall coverings around range can withstand heat generated by range.
- Floor beneath range MUST be solid and level.
- Overhead cabinetry should not exceed a 13" maximum depth.
- Absolute minimum horizontal distance between overhead cabinets installed to either side of appliance must be no less than maximum width of appliance.

- Minimum 1" clearance required from edge of rangetop to nearest combustible wall on either side of range above 36" height.
- Allow 30" minimum clearance between top of cooking surface and bottom of unprotected wood or metal overhead cabinet; or 24" minimum clearance when bottom of wood or metal overhead cabinet is protected by not less than 1/4" flame retardant millboard covered with not less than No. 28 MSG sheet steel, 0.015" stainless steel, 0.024" aluminum or 0.020" copper.
- To reduce risk of fire when using overhead cabinetry, install range hood that projects horizontally a recommended minimum of 5" beyond bottom of cabinets.
- Follow all dimension requirements provided to prevent property damage, potential fire hazard, and incorrect countertop and cabinet cuts.

Note: For planning purposes only. Refer to Product Installation Guide on the web at electroluxappliances.com for detailed instructions.

Optional Accessories

- Griddle – (PN # 318583902) – Optional

Electrolux Major Appliances, N.A.

USA • 10200 David Taylor Drive • Charlotte, NC 28262 • 1-877-4electrolux (1-877-435-3287) • electroluxappliances.com
 CANADA • 5855 Terry Fox Way • Mississauga, ON L5V 3E4 • 1-800-265-8352 • electroluxappliances.ca

EI30IF40L 08/16

© 2016 Electrolux Home Products, Inc.



High standards of quality at Electrolux Home Products, Inc. mean we are constantly working to improve our products. We reserve the right to change specifications or discontinue models without notice.