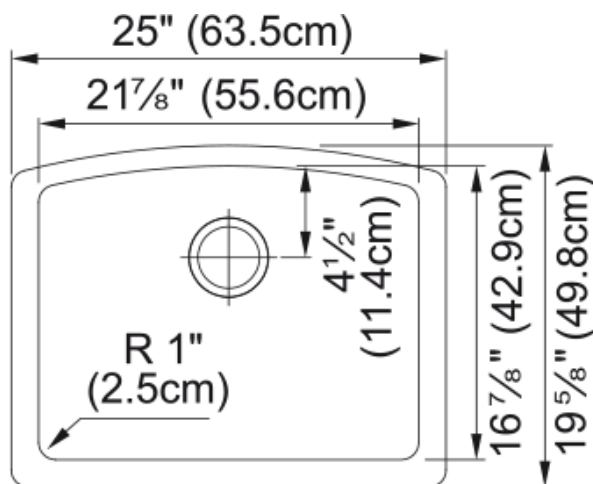


## Ellipse Undermount Sink - ELG11022MBK | 125.0699.538



25.0-in. x 19.62-in. Matte Black Granite Single Bowl Kitchen Sink. Franke Ellipse is an easy-to-maintain kitchen sink that will enhance the simple joys of cooking. Made with 80% quartz, the most durable component of granite; and bonded with 20% acrylic resin, and available in a variety of size and configuration options provides your kitchen with a long-lasting focal point through its classic style and enduring color options.

### Aspect

|                  |             |
|------------------|-------------|
| Sink type        | Sink        |
| Type of material | Granite     |
| Number of bowls  | 1           |
| Color            | Matte black |
| Surface finish   | None        |

### Product Dimensions

|                                |        |
|--------------------------------|--------|
| Length (right to left)         | 25     |
| Width (front to back)          | 19.638 |
| Large bowl size: right to left | 21.85  |
| Large bowl size: front to back | 16.89  |
| Large bowl: depth              | 9.016  |

### Installation

|                      |     |
|----------------------|-----|
| Minimum cabinet size | 24" |
|----------------------|-----|

### Product specifications

|                     |            |
|---------------------|------------|
| Installation type   | Undermount |
| Drain hole          | 3 1/2"     |
| Position of drainer | No drainer |

### Product identification

|               |             |
|---------------|-------------|
| Product brand | NEUTRAL     |
| Collection    | Ellipse Usa |
| Certified by  | IAPMO       |

### Features

|                            |            |
|----------------------------|------------|
| Drainers number            | No drainer |
| Product reversibility      | No         |
| Faucet ledge               | No         |
| Strainer assembly included | No         |

|                        |                |
|------------------------|----------------|
| Strainer Assembly      | No waste kit   |
| Overflow               | No             |
| Number of faucet holes | No faucet hole |
| Soap dispenser hole    | No             |