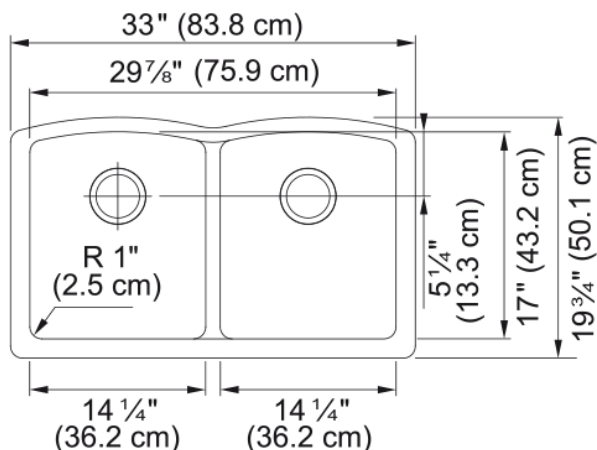


Ellipse Undermount Sink - ELG1200NY | 125.0384.309



33.0-in. x 19.75-in. Onyx Granite Double Bowl Kitchen Sink. Franke Ellipse is an easy-to-maintain kitchen sink that will enhance the simple joys of cooking. Made with 80% quartz, the most durable component of granite; and bonded with 20% acrylic resin, and available in a variety of size and configuration options provides your kitchen with a long-lasting focal point through its classic style and enduring color options.

Aspect

Sink type	Sink
Type of material	Granite
Number of bowls	2
Color	Onyx
Surface finish	None

Product Dimensions

Length (right to left)	32.992
Width (front to back)	19.606
Large bowl size: right to left	14.331
Large bowl size: front to back	16.89
Large bowl: depth	9.016
Small bowl size: right to left	14.331
Small bowl size: front to back	16.89
Small bowl: depth	9.016

Installation

Minimum cabinet size	36"
----------------------	-----

Product specifications

Installation type	Undermount
Drain hole	3 1/2"
Position of drainer	No drainer

Product identification

Product brand	FRANKE
Collection	Ellipse Usa
Certified by	CE

Features

Drainers number	No drainer
-----------------	------------

Product reversibility	No
Faucet ledge	No
Strainer assembly included	No
Strainer Assembly	No waste kit
Overflow	No
Number of faucet holes	No faucet hole
Soap dispenser hole	No