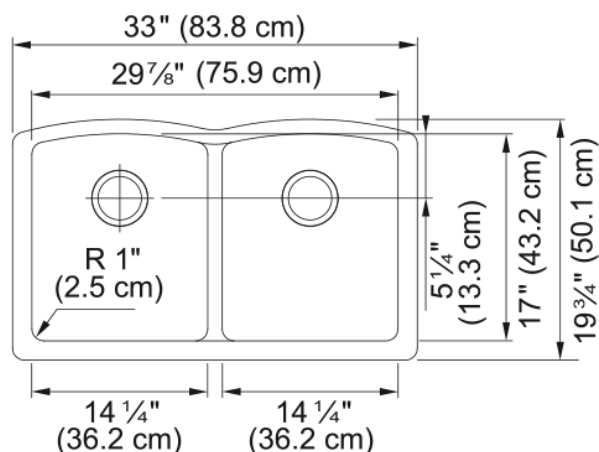


Ellipse Undermount Sink - ELG120PWT | 125.0637.084



33-in. x 19.7-in. Polar White Fraganite Undermount Double Bowl Kitchen Sink. Ellipse Fraganite sinks are durable and resistant to scratches, stains and heat.

Aspect

| | |
|------------------|-------------|
| Sink type | Sink |
| Type of material | Granite |
| Number of bowls | 2 |
| Color | Polar white |
| Surface finish | None |

Product Dimensions

| | |
|--------------------------------|--------|
| Length (right to left) | 33 |
| Width (front to back) | 19.638 |
| Large bowl size: right to left | 14.331 |
| Large bowl size: front to back | 16.89 |
| Large bowl: depth | 9.016 |
| Small bowl size: right to left | 14.331 |
| Small bowl size: front to back | 16.89 |
| Small bowl: depth | 9.016 |

Installation

| | |
|----------------------|-----|
| Minimum cabinet size | 36" |
|----------------------|-----|

Product specifications

| | |
|---------------------|------------|
| Installation type | Undermount |
| Drain hole | 3 1/2" |
| Position of drainer | No drainer |

Product identification

| | |
|---------------|---------|
| Product brand | FRANKE |
| Collection | Ellipse |
| Certified by | CE |

Features

| | |
|-----------------------|------------|
| Drainers number | No drainer |
| Product reversibility | No |

| | |
|----------------------------|----------------|
| Faucet ledge | No |
| Strainer assembly included | No |
| Strainer Assembly | No waste kit |
| Overflow | No |
| Number of faucet holes | No faucet hole |
| Soap dispenser hole | No |