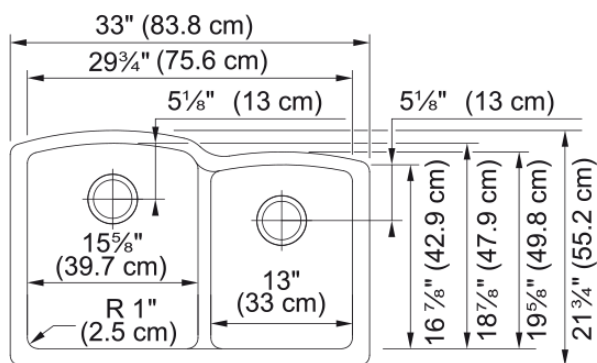


Ellipse Undermount Sink - ELG160MBK | 125.0699.540



33.0-in. x 21.75-in. Matte Black Granite Double Bowl Kitchen Sink. Franke Ellipse is an easy-to-maintain kitchen sink that will enhance the simple joys of cooking. Made with 80% quartz, the most durable component of granite; and bonded with 20% acrylic resin, and available in a variety of size and configuration options provides your kitchen with a long-lasting focal point through its classic style and enduring color options.

Aspect

Sink type	Sink
Type of material	Granite
Number of bowls	2
Color	Matte black
Surface finish	None

Product Dimensions

Length (right to left)	33
Width (front to back)	21.606
Large bowl size: right to left	15.669
Large bowl size: front to back	18.858
Large bowl: depth	9.016
Small bowl size: right to left	12.992
Small bowl size: front to back	16.89
Small bowl: depth	7.992

Installation

Minimum cabinet size	33"
----------------------	-----

Product specifications

Installation type	Undermount
Drain hole	3 1/2"
Position of drainer	No drainer

Product identification

Product brand	NEUTRAL
Collection	Ellipse Usa
Certified by	IAPMO

Features

Drainers number	No drainer
-----------------	------------

Product reversibility	No
Faucet ledge	No
Strainer assembly included	No
Strainer Assembly	No waste kit
Overflow	No
Number of faucet holes	No faucet hole
Soap dispenser hole	No