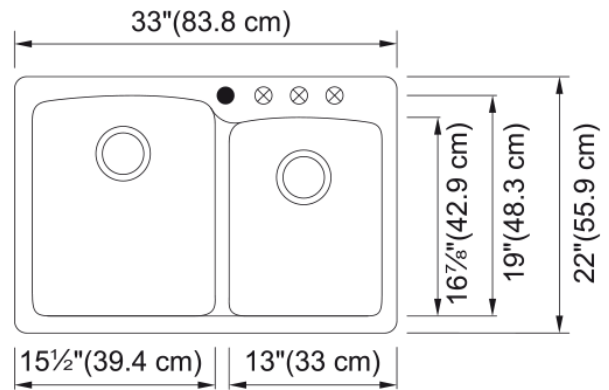


## Ellipse Dual Mount Sink - EOOY33229-1 | 114.0637.900



33-in. x 22-in. Oyster Fraganite Dual Mount Double Bowl Kitchen Sink. Ellipse Fraganite sinks are durable and resistant to scratches, stains and heat.

### Aspect

Sink type	Sink
Type of material	Granite
Number of bowls	2
Color	Oyster
Surface finish	None

### Product Dimensions

Length (right to left)	33
Width (front to back)	22
Large bowl size: right to left	15.669
Large bowl size: front to back	18.858
Large bowl: depth	9.016
Small bowl size: right to left	12.992
Small bowl size: front to back	16.89
Small bowl: depth	7.992

### Installation

Minimum cabinet size	36"
----------------------	-----

### Product specifications

Installation type	Topmount / drop in
Drain hole	3 1/2"
Position of drainer	No drainer

### Product identification

Product brand	FRANKE
Product family	Smart
Collection	Ellipse
Certified by	cUPC
Certified by	CE

### Features

Drainers number	No drainer
Product reversibility	No
Faucet ledge	Yes
Strainer assembly included	No
Strainer Assembly	No waste kit
Overflow	No
Number of faucet holes	4 - pre-scored
Soap dispenser hole	No