

Oristano

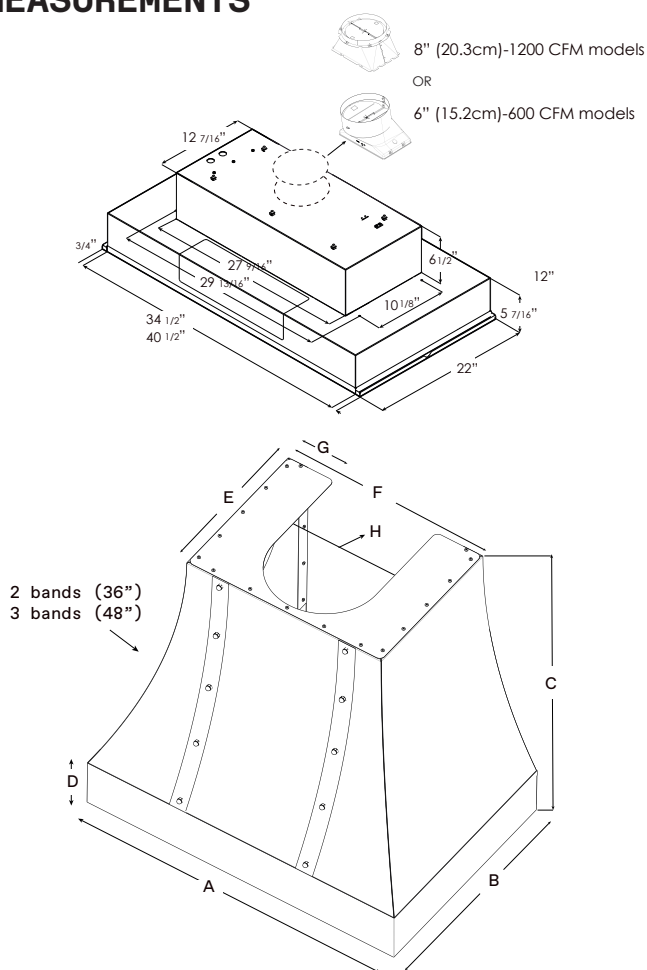
Wall mount hood

Specification sheet



Learn more

MEASUREMENTS



DESCRIPTION

Inspired by the traditional architecture, glistening warm waters, and the relaxed pace of Oristano, the capital city of Sardinia Italy, Oristano has a tapered shape, seamless flow, mirrored stainless front rim, and decorative banding & rivets that deliver a statement and complement even the most exquisite kitchens.

Designed to support those with a passion for food & gourmet cooking, Oristano can be equipped with 600 or 1200 CFM blowers, soft LED lighting, plus Elica's patented HUSH sound suppression system will keep the conversation going. Available in 36 ³/₁₆" and 48" widths, and built with Italian craftsmanship and precision equipment that delivers seamless welding that is flawless, and a superior fit & finish that is noticeable.

The patented Easy Mounting system enables the hood to be installed in just 6 easy steps, and ducting out the rear wall is now possible.



	EORX36SS	EORX48SS
A	36 ³ / ₁₆ " (91.9 cm)	48" (122.1 cm)
B	24 ⁵ / ₁₆ " (61.7 cm)	24 ⁵ / ₁₆ " (61.7 cm)
C	31 ⁵ / ₈ " (80.3 cm)	
D	5 ¹ / ₂ " (14 cm)	5 ³ / ₄ " (14 cm)
E	17 ⁵ / ₁₆ " (44 cm)	17 ⁵ / ₁₆ " (44 cm)
F	22" (57.8 cm)	22" (57.8 cm)
G	5 ³ / ₈ " (13.7 cm)	9 ¹ / ₂ " (24.2 cm)
H	12" (30.6 cm)	12" (30.4 cm)

FEATURES

- Hush system
- Elica easy mounting
- Heat guard
- Top or Rear outlet
- Seamless look
- Professional performance
- Grease collectors



GENERAL PROPERTIES

Width	36 ³ / ₁₆ "	48"
Model	EORX36SS	EORX48SS
Dimensions	36 ³ / ₁₆ "W x 24 ⁵ / ₁₆ "D x 31 ⁵ / ₈ "H	48"W x 24 ⁵ / ₁₆ "D x 31 ⁵ / ₈ "H
Blower type: (sold separately)	Requires purchase of insert hood EAR634SS (600 CFM) or EAR134S4 (1200 CFM)	Requires purchase of insert hood EAR140S4 (1200 CFM)
Finish	Stainless Steel +Front and lateral rim - mirror stainless steel +Decorative bands & rivets - mirror stainless steel 2 for 36 ³ / ₁₆ " & 3 for 48"	
Installation type	6 easy steps for mounting, compatible with Arezzo insert	

KITS

Duct cover extension	KIT0182781-KIT0182781A (36" width x 6" tall) KIT0182782-KIT0182782A (36" width x 18" tall)	KIT0182783-KIT0182783A (48" width x 6" tall) KIT0182784-KIT0182784A (48" width x 18" tall)
----------------------	---	---

6 EASY STEPS FOR MOUNTING

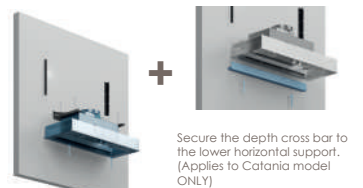
1 Drill using installation template.



2 Fix support Brackets to wall and ceiling.



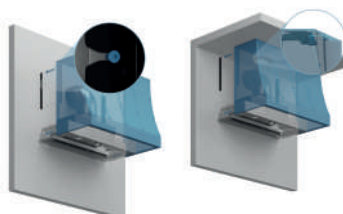
3 Secure the insert hood to the lower support.



4 Affix the ducting. Choose between Rear or Ceiling Outlet.



5 Slip the fixed bolts on the shell into the eyelets in the vertical brackets, lay the top of the shell over the ceiling bracket. A solid connection will create a "click".



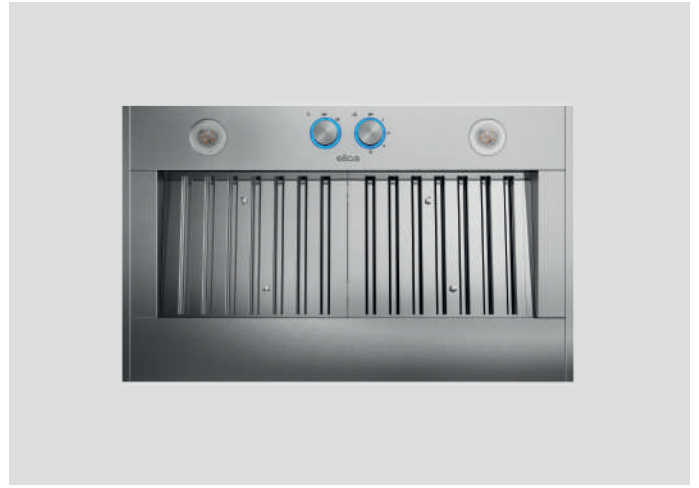
6 Secure the insert hood to the Shell from the inside placing the screws on the corresponding drill holes.



*For ceiling flush installation, an optional Trim Kit is available.

Arezzo

Insert hood



Oriстано Range Hood needs to be paired with the Arezzo Insert Hood.

GENERAL PROPERTIES

	28 1/2"	34 1/2"	40 1/2"	46 1/2"
Width	28 1/2"	34 1/2"	40 1/2"	46 1/2"
Model	EAR628S4	EAR634SS* EAR134S4**	EAR140S4	EAR146S4
Dimensions	28 1/2"W x 22"D x 11 7/8"H	34 1/2"W x 25"D x 11 7/8"H	40 1/2"W x 22"D x 11 7/8"H	46 1/2"W x 22"D x 11 7/8"H
Blower Type ¹ (Internal)	600 CFM (4-speed)	600 CFM (4-speed)* 1200 CFM (4-speed)**	1200 CFM (4-speed)	
Noise (Min-max sones) ¹	1.7-7.0 Sones	1.7-8.5 Sones* 1.7-7.0 Sones**	1.7-8.5 Sones	
Electrical	120V-60Hz,463W*	120V-60Hz,490W* 120V-60Hz,913W**	120V-60Hz,926W	
Illumination	2 LED, 6.5W, 3000K, 540 Lumen		4 LED, 6.5W, 3000K, 540 Lumen	
Finish	Stainless Steel			
Controls	Fully Retractable Rotating Knobs with Blue backlighting			
Grease filters	Dishwasher-Safe, Professional Stainless Steel Baffle			
Installation type	Ducted or Recirculating with Kit			
Duct transition	6" Round with Backdraft Damper (Top Only)	6" /8"*** Round with Backdraft Damper (Top Only)	8" Round with Backdraft Damper (Top Only)	8" Round with Backdraft Damper (Top Only)

KITS

External Blower	KIT0153054 (1200 CFM blower 8" or 10" compatible)
Inline Blower	KIT0154387 (1200 CFM blower 8" or 10" compatible)
Inline Blower Shell (1200 CFM)	KIT0179549 (For use with 1200 CFM blower, 8" or 10" compatible)
Inline Blower Shell (600 CFM)	KIT0205342 (For use with 600 CFM blower, 6" compatible)
External Blower Shell	KIT0179547 (For use with 1200 CFM blowers only)
Recirculation (600 CFM)	KIT0192765 (4 round carbon filters) + KIT0195736 (6" round deflector)
Recirculation (1200 CFM)	KIT0192765 (4 round carbon filters) + KIT0192763 (8" round deflector)
Electronic CFM Reduction Bypass	KIT0185752 (Achieve <300 CFM, for 600 CFM Blower) KIT0185099 (Achieve <400 CFM, for 1200 CFM Blower)
Transition Reducer Kit	KIT0185271 (10" round down to 8" round - attaches to 10" round transition)

WARRANTY:²

Two (2) Years Parts & In-Home Labor. Earn an additional One (1) Year of Parts & In-Home Labor by registering on elica.com



The product images shown are for illustration purposes only and may not be an exact representation of the product.

¹ CFM and Noise data indicate the performance of the hood blower tested according to international standards. For AHAM Certified Ratings, established in accordance with California Title 24 Standardized test procedure, please refer to AHAM Certified Product Directory. Electric Ratings are declared according to UL.

² For valid warranty extension, register within 3 months from purchase. For USA & Canada Users Only.