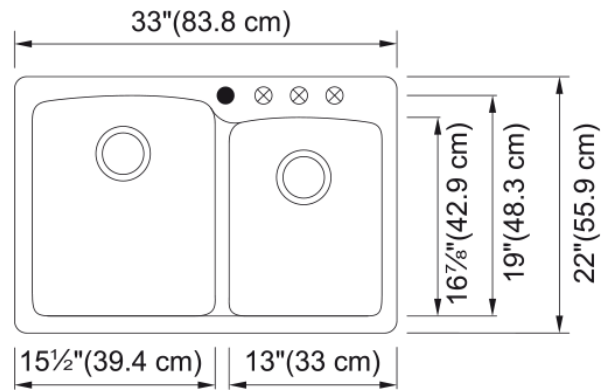


Ellipse Dual Mount Sink - EOSG33229-1 | 114.0637.901



33-in. x 22-in. Stone Grey Fraganite Dual Mount Double Bowl Kitchen Sink. Ellipse Fraganite sinks are durable and resistant to scratches, stains and heat.

Aspect

Sink type	Sink
Type of material	Granite
Number of bowls	2
Color	Stone grey
Surface finish	None

Product Dimensions

Length (right to left)	33
Width (front to back)	22
Large bowl size: right to left	15.669
Large bowl size: front to back	18.858
Large bowl: depth	9.016
Small bowl size: right to left	12.992
Small bowl size: front to back	16.89
Small bowl: depth	7.992

Installation

Minimum cabinet size	36"
----------------------	-----

Product specifications

Installation type	Topmount / drop in
Drain hole	3 1/2"
Position of drainer	No drainer

Product identification

Product brand	FRANKE
Product family	Smart
Collection	Ellipse
Certified by	CE
Certified by	cUPC

Features

Drainers number	No drainer
Product reversibility	No
Faucet ledge	Yes
Strainer assembly included	No
Strainer Assembly	No waste kit
Overflow	No
Number of faucet holes	4 - pre-scored
Soap dispenser hole	No