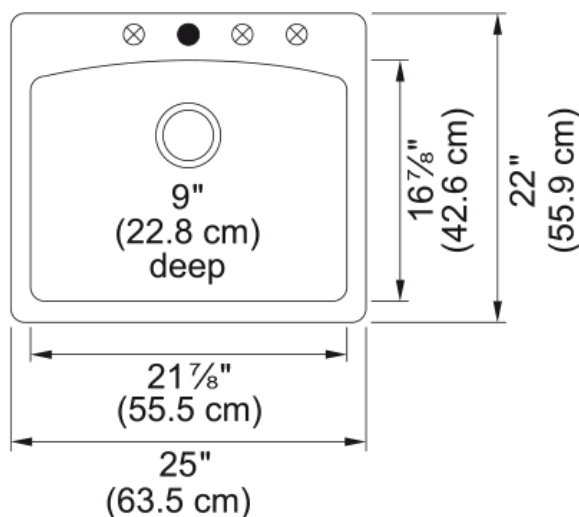


## Ellipse Dual Mount Sink - ESMB25229-1 | 114.0699.562



25.0-in. x 22.0-in. Matte Black Granite Single Bowl Kitchen Sink. Franke Ellipse is an easy-to-maintain kitchen sink that will enhance the simple joys of cooking. Made with 80% quartz, the most durable component of granite; and bonded with 20% acrylic resin, and available in a variety of size and configuration options provides your kitchen with a long-lasting focal point through its classic style and enduring color options.

### Aspect

Sink type	Sink
Type of material	Granite
Number of bowls	1
Color	Matte black
Surface finish	None

### Product Dimensions

Length (right to left)	25
Width (front to back)	22.008
Large bowl size: right to left	21.85
Large bowl size: front to back	16.89
Large bowl: depth	9.016

### Installation

Minimum cabinet size	24"
----------------------	-----

### Product specifications

Installation type	Topmount / drop in
Drain hole	3 1/2"
Position of drainer	No drainer

### Product identification

Product brand	NEUTRAL
Collection	Ellipse
Certified by	IAPMO

### Features

Drainers number	No drainer
Product reversibility	No
Faucet ledge	Yes
Strainer assembly included	No

Strainer Assembly	No waste kit
Overflow	No
Number of faucet holes	4 - pre-scored
Soap dispenser hole	No