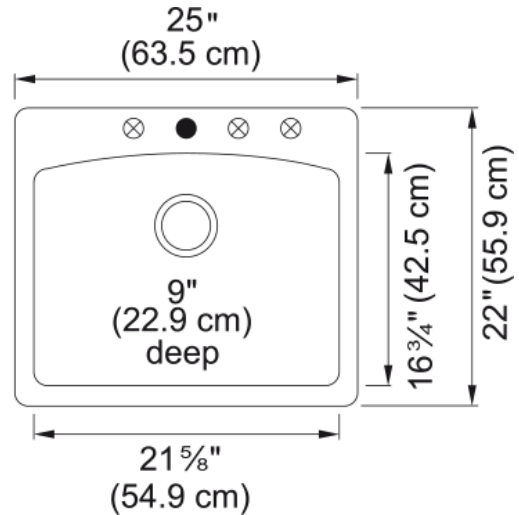


Ellipse Dual Mount Sink - ESOY25229-1 | 114.0637.902



25.0-in. x 22.0-in. Oyster Granite Single Bowl Kitchen Sink. Franke Ellipse is an easy-to-maintain kitchen sink that will enhance the simple joys of cooking. Made with 80% quartz, the most durable component of granite; and bonded with 20% acrylic resin, and available in a variety of size and configuration options provides your kitchen with a long-lasting focal point through its classic style and enduring color options.

Aspect

Sink type	Sink
Type of material	Granite
Number of bowls	1
Color	Oyster
Surface finish	None

Product Dimensions

Length (right to left)	25
Width (front to back)	22
Large bowl size: right to left	21.85
Large bowl size: front to back	16.89
Large bowl: depth	9.016

Installation

Minimum cabinet size	27"
----------------------	-----

Product specifications

Installation type	Topmount / drop in
Drain hole	3 1/2"
Position of drainer	No drainer

Product identification

Product brand	FRANKE
Product family	None
Collection	Ellipse
Certified by	CE

Features

Drainers number	No drainer
Product reversibility	No
Faucet ledge	Yes

Strainer assembly included	No
Strainer Assembly	No waste kit
Overflow	No
Number of faucet holes	4 - pre-scored
Soap dispenser hole	No