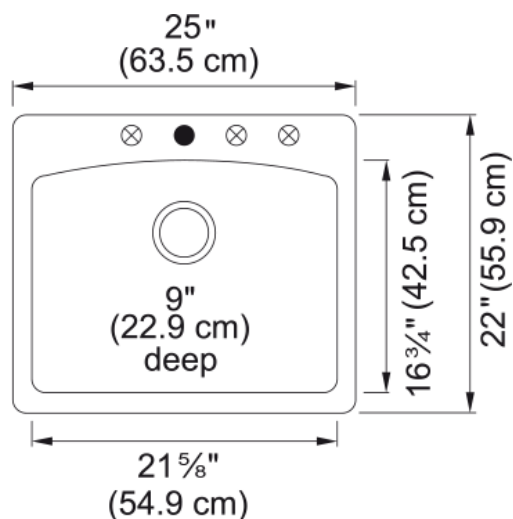


Ellipse Dual Mount Sink - ESSG25229-1 | 114.0637.903



25.0-in. x 22.0-in. Stone Grey Granite Single Bowl Kitchen Sink. Franke Ellipse is an easy-to-maintain kitchen sink that will enhance the simple joys of cooking. Made with 80% quartz, the most durable component of granite; and bonded with 20% acrylic resin, and available in a variety of size and configuration options provides your kitchen with a long-lasting focal point through its classic style and enduring color options.

Aspect

| | |
|------------------|------------|
| Sink type | Sink |
| Type of material | Granite |
| Number of bowls | 1 |
| Color | Stone grey |
| Surface finish | None |

Product Dimensions

| | |
|--------------------------------|-------|
| Length (right to left) | 25 |
| Width (front to back) | 22 |
| Large bowl size: right to left | 21.85 |
| Large bowl size: front to back | 16.89 |
| Large bowl: depth | 9.016 |

Installation

| | |
|----------------------|-----|
| Minimum cabinet size | 27" |
|----------------------|-----|

Product specifications

| | |
|---------------------|--------------------|
| Installation type | Topmount / drop in |
| Drain hole | 3 1/2" |
| Position of drainer | No drainer |

Product identification

| | |
|----------------|---------|
| Product brand | FRANKE |
| Product family | None |
| Collection | Ellipse |
| Certified by | cUPC |

Features

| | |
|-----------------------|------------|
| Drainers number | No drainer |
| Product reversibility | No |
| Faucet ledge | Yes |

| | |
|----------------------------|----------------|
| Strainer assembly included | No |
| Strainer Assembly | No waste kit |
| Overflow | No |
| Number of faucet holes | 4 - pre-scored |
| Soap dispenser hole | No |