

ESW 7010 AM

Handleless Gourmet warming drawer, 24" width and 5 5/8" height for preheating dishware, keeping food warm, and Slow Roasting.



- The ultimate in enjoyment – Slow Roasting
- Always at the right temperature – 4 operating modes
- Convenient and easy – Touch control and Miele@home
- Push2open – opening the drawer couldn't be easier
- Better safe than sorry – timer with automatic switch-off

EAN: 4002516487210 / Material number: 11794720 / Old Material Number: 30701020USA

| General information | |
|---|------------------|
| Model number | ESW 7010 AM |
| Manufacturer material number | 11794720 |
| EAN number | 4002516487210 |
| Construction type and design | |
| Gourmet drawer | • |
| PureLine | • |
| VitroLine | • |
| ArtLine | • |
| No Handles | • |
| Construction type and design | |
| Color | Obsidian black |
| Operating modes | |
| Warm cups | • |
| Warm plates | • |
| Keeping food warm | • |
| Slow roast | • |
| Convenience features | |
| Prewarming of dishware | • |
| Keeping food warm | • |
| Perfect cooking results at low temperatures | • |
| User convenience | |
| Miele@home | • |
| Push2open mechanism | • |
| Fully telescopic runners for easy loading and unloading | • |
| Control panel with sensor control | • |
| Timer function | • |
| Sabbath program | • |
| Control panel with text | • |
| Stop programming | • |
| Cleaning convenience | |
| Flush control panel | • |
| Safety | |
| Cool front | • |
| Anti-slip mat | • |
| Safety cut-out | • |
| Accessory drawer | |
| Capacity | 6 place settings |
| Technical data | |
| Temperature in °F (°C) | 105-185 (40-85) |
| Appliance width in in. (mm) | 23 3/8 (595) |
| Appliance height in in. (mm) | 5 1/2 (141) |
| Appliance depth in in. (mm) | 22 1/2 (570) |
| Useable interior height in in. (mm) | 3 1/4 (80) |
| Plug type | NEMA plug: 5-15 |
| Total connected load in kW | 0.70 |
| Voltage in V | 120 |
| Frequency in Hz | 60 |

ESW 7010 AM

Handleless Gourmet warming drawer, 24" width and 5 5/8" height
for preheating dishware, keeping food warm, and Slow Roasting.

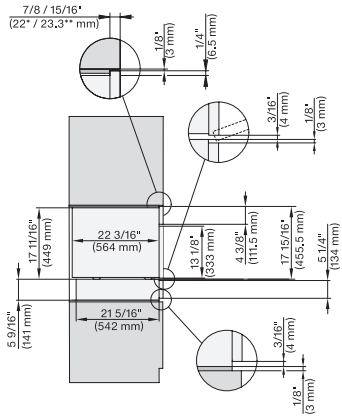


EAN: 4002516487210 / Material number: 11794720 /
Old Material Number: 30701020USA

| | |
|-----------------------------|---------|
| Fuse rating in A | 16 |
| Number of phases | 1 |
| Connection wire with plug | • |
| Wire length in ft. (m) | 6 (2.0) |
| Standard accessories | |
| Non-slip liner | 1 |

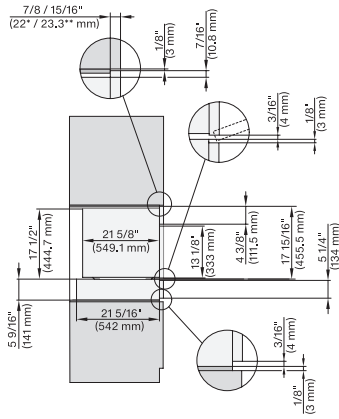
ESW 7010 AM

Handleless Gourmet warming drawer, 24" width and 5 5/8" height for preheating dishware, keeping food warm, and Slow Roasting.



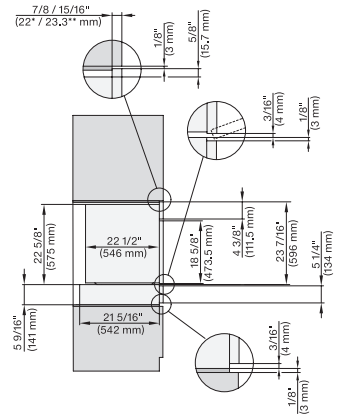
side view, Flush inset, DGC combi XL, ESW

7/8" – 22* mm – Glass, 15/16" – 23.3** mm – Stainless steel, DGC: Minimum installation height 36" – 914 mm from floor to the device installation surface



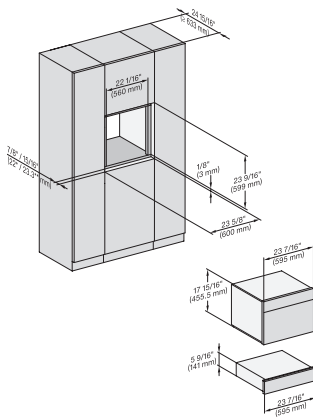
side view, Flush inset, combi, 450S, ESW

7/8" – 22* mm – Glass, 15/16" – 23.3** mm – Stainless steel



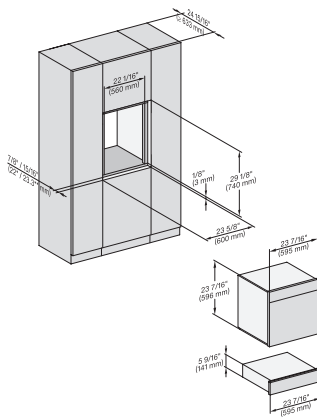
side view, Flush inset, combi, 650S, ESW

7/8" – 22* mm – Glass, 15/16" – 23.3** mm – Stainless steel



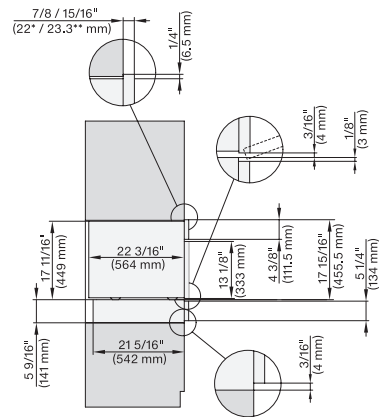
Einbau, Flush inset, combi, 450S, ESW

7/8" – 22* mm – Glass, 15/16" – 23.3** mm – Stainless steel, DGC: Minimum installation height 36" – 914 mm from floor to the device installation surface



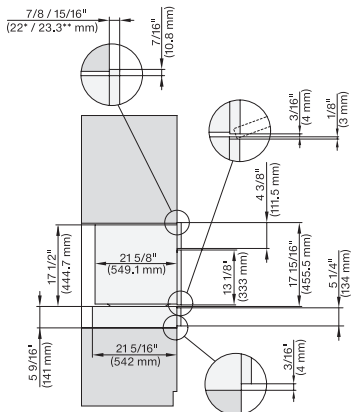
Installation Flush inset, combi, 650S, ESW

7/8" – 22* mm – Glass, 15/16" – 23.3** mm – Stainless steel



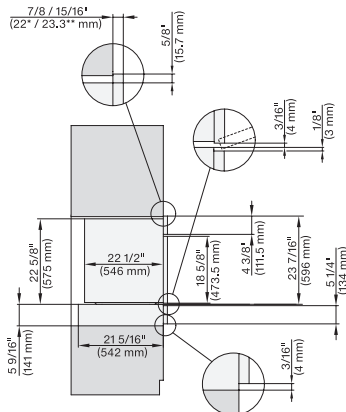
side view, Proud, combi, DGC XL ESW

7/8" – 22* mm – Glass, 15/16" – 23.3** mm – Stainless steel, DGC: Minimum installation height 36" – 914 mm from floor to the device installation surface



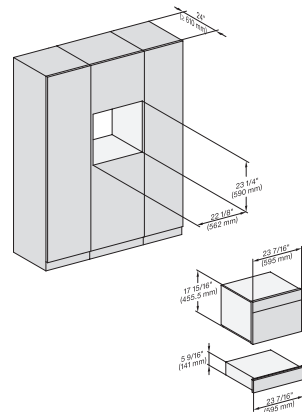
side view, Proud, combi, 450S ESW

7/8" – 22* mm – Glass, 15/16" – 23.3** mm – Stainless steel



side view, Proud, combi, 650S, ESW

7/8" – 22* mm – Glass, 15/16" – 23.3** mm – Stainless steel

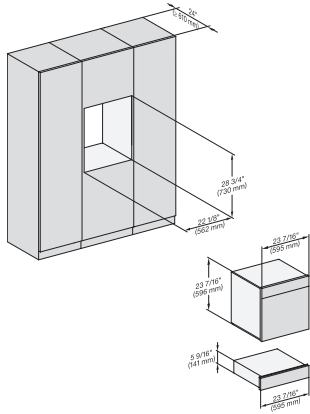


Installation Proud, combi, 450S ESW

DGC: Minimum installation height 36" – 914 mm from floor to the device installation surface

ESW 7010 AM

Handleless Gourmet warming drawer, 24" width and 5 5/8" height for preheating dishware, keeping food warm, and Slow Roasting.



Installation Proud, combi, 650S ESW