

ESW 7680

Handleless Gourmet warming drawer, 30-" width and 10 13/16" height for preheating dishware, keeping food warm, and Slow Roasting.



- The ultimate in enjoyment – Slow Roasting
- Always at the right temperature – 4 operating modes
- Convenient and easy – Touch control and Miele@home
- Push2open – opening the drawer couldn't be easier
- Better safe than sorry – timer with automatic switch-off

EAN: 4002516487470 / Material number: 11794880 /
Old Material Number: 30768020USA

General information	
Model number	ESW 7680
Manufacturer material number	11794880
EAN number	4002516487470
Construction type and design	
Gourmet drawer	•
PureLine	•
VitroLine	•
ArtLine	•
No Handles	•
Construction type and design	
Color	Obsidian black
Operating modes	
Warm cups	•
Warm plates	•
Keeping food warm	•
Slow roast	•
Convenience features	
Prewarming of dishware	•
Keeping food warm	•
Perfect cooking results at low temperatures	•
User convenience	
Miele@home	•
Push2open mechanism	•
Fully telescopic runners for easy loading and unloading	•
Control panel with sensor control	•
Timer function	•
Sabbath program	•
Control panel with text	•
Stop programming	•
Cleaning convenience	
Flush control panel	•
Safety	
Cool front	•
Anti-slip mat	•
Safety cut-out	•
Accessory drawer	
Capacity	12 place settings
Technical data	
Temperature in °F (°C)	105-185 (40-85)
Appliance width in in. (mm)	29 7/8 (757)
Appliance height in in. (mm)	10 7/8 (275)
Appliance depth in in. (mm)	24 (608)
Useable interior height in in. (mm)	6 3/4 (170)
Plug type	NEMA plug: 5-15
Total connected load in kW	1.00
Voltage in V	120
Frequency in Hz	60

ESW 7680

Handleless Gourmet warming drawer, 30-" width and 10 13/16" height for preheating dishware, keeping food warm, and Slow Roasting.

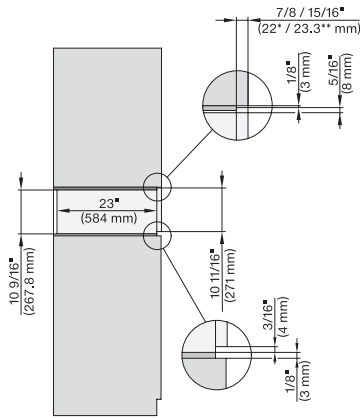


EAN: 4002516487470 / Material number: 11794880 /
Old Material Number: 30768020USA

Fuse rating in A	16
Number of phases	1
Connection wire with plug	•
Wire length in ft. (m)	6 (2.0)
Standard accessories	
Non-slip liner	1
Rack for increased capacity	1

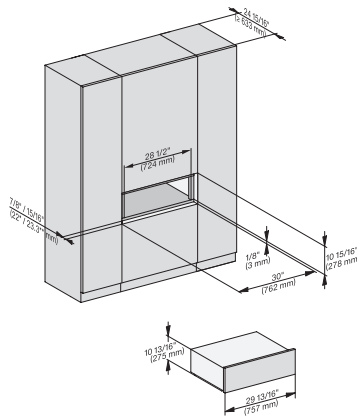
ESW 7680

Handleless Gourmet warming drawer, 30-" width and 10 13/16" height for preheating dishware, keeping food warm, and Slow Roasting.



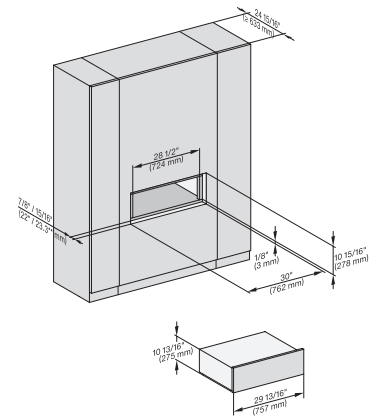
side view 30 inch Flush inset ESW30, installation drawing, NA

7/8" – 22* mm – Glas, 15/16" – 23.3** mm – Edelstahl



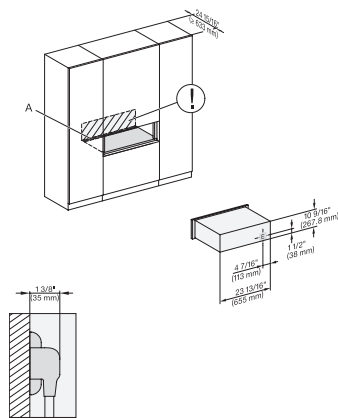
installation 30 inch Flush inset ESW30, installation drawing, NA

7/8" – 22* mm – Glas, 15/16" – 23.3** mm – Edelstahl



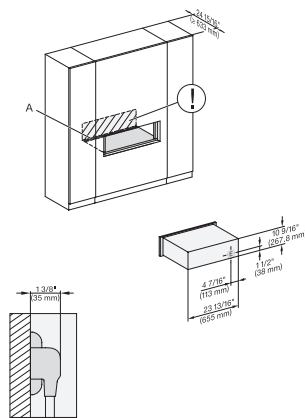
installation 30 inch Flush inset wide front ESW30, installation drawing, NA

7/8" – 22* mm – Glas, 15/16" – 23.3** mm – Edelstahl



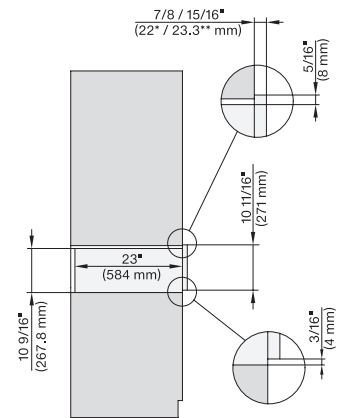
installation 30 inch Flush inset ESW30, installation drawing, NA

A – Cut-out (4" x 28" / 100 mm x 720 mm) in the bottom of the cabinet for power cord and ventilation, – Electrical and water supplies are recommended to be placed in adjacent cabinetry, Additional cabinet depth is required when placing the electrical and water supplies behind the appliance, E = Electric connection



installation 30 inch Flush inset wide front ESW30, installation drawing, NA

A – Cut-out (4" x 28" / 100 mm x 720 mm) in the bottom of the cabinet for power cord and ventilation, – Electrical and water supplies are recommended to be placed in adjacent cabinetry, Additional cabinet depth is required when placing the electrical and water supplies behind the appliance, E = Electric connection

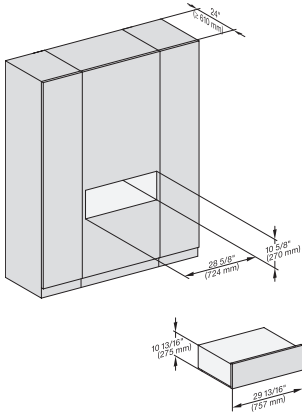


side view 30 inch Proud ESW30, installation drawing, NA

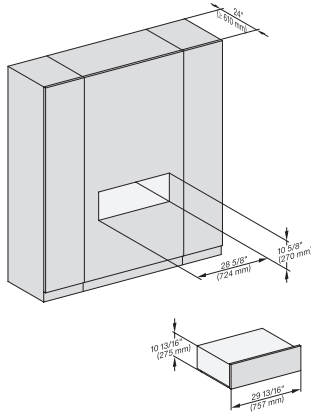
7/8" – 22* mm – Glas, 15/16" – 23.3** mm – Edelstahl

ESW 7680

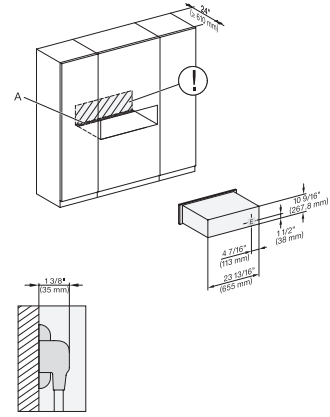
Handleless Gourmet warming drawer, 30-" width and 10 13/16" height for preheating dishware, keeping food warm, and Slow Roasting.



installation 30 inch Proud ESW30, installation drawing, NA

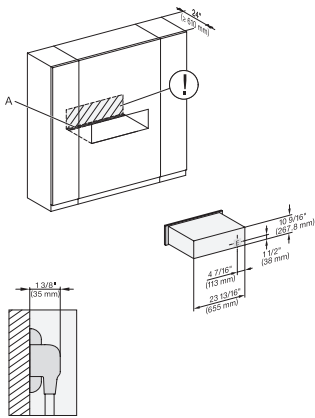


installation 30 inch Proud wide front ESW30, installation drawing, NA



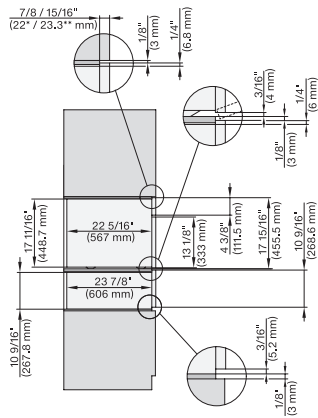
installation 30 inch Proud ESW30, installation drawing, NA

A – Cut-out (4" x 28" / 100 mm x 720 mm) in the bottom of the cabinet for power cord and ventilation, – Electrical and water supplies are recommended to be placed in adjacent cabinetry., Additional cabinet depth is required when placing the electrical and water supplies behind the appliance., E = Electric connection



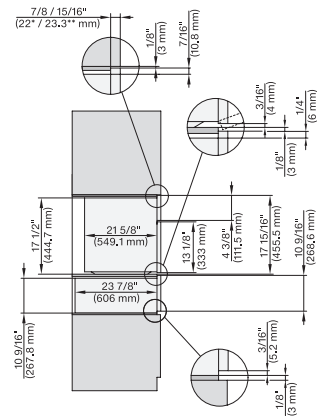
installation 30 inch Proud wide front ESW30, installation drawing, NA

A – Cut-out (4" x 28" / 100 mm x 720 mm) in the bottom of the cabinet for power cord and ventilation, – Electrical and water supplies are recommended to be placed in adjacent cabinetry., Additional cabinet depth is required when placing the electrical and water supplies behind the appliance., E = Electric connection



DGC 6x00-1 + EBA 6808, ESW 6x80, DGC 7x4x, EBA7848, ESW 7x8x Combi, Installation drawing, Flush inset, NA

7/8" – 22* mm – Glas, 15/16" – 23.3** mm – Edelstahl

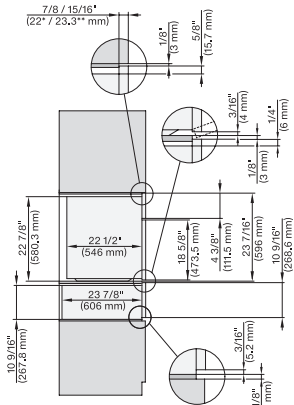


H 6x00 BM + EBA 6808, ESW 6x80, H7x40, EBA7848, ESW7x80 Combi, Installation drawing, Flush inset, NA

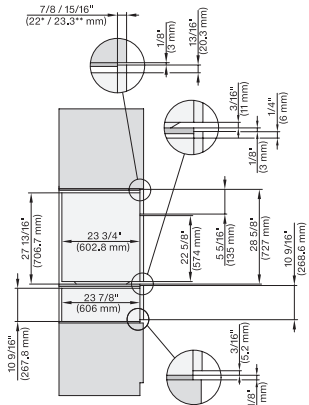
7/8" – 22* mm – Glas, 15/16" – 23.3** mm – Edelstahl

ESW 7680

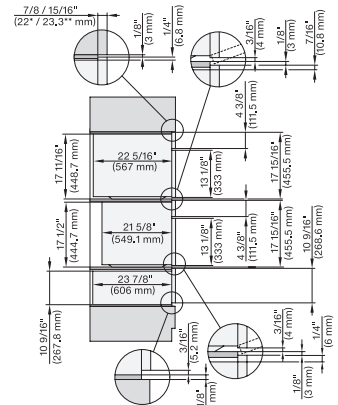
Handleless Gourmet warming drawer, 30"- width and 10 13/16" height for preheating dishware, keeping food warm, and Slow Roasting.



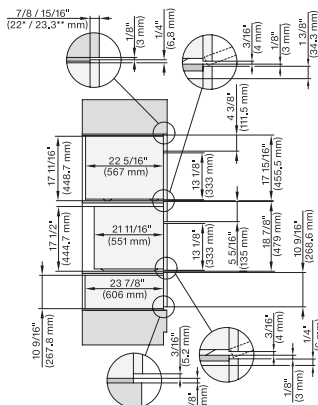
Side view_30Zoll_Flush inset_Kombi, EBA7868, ESW 7x10, EVS7010 Combi, Install drawing, Flush inset, NA
7/8" – 22* mm – Glas, 15/16" – 23.3** mm – Edelstahl



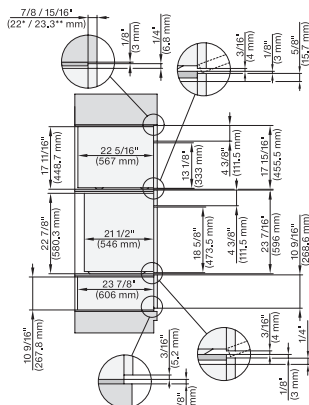
H 6x80 BP, ESW 6x80, H 6x80-2BP, H2x80, H7x80m ESW7x80 Combi, Installation drawing, Flush inset, NA
7/8" – 22* mm – Glas, 15/16" – 23.3** mm – Edelstahl



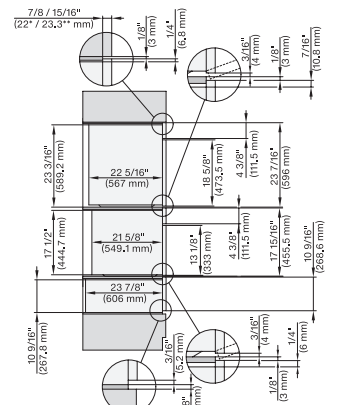
DGC6x00-1+EBA 6808, H6x00+EBA680, ESW6x80,DGC7xxx, EBA7848, H7x40, ESW7x80 Combi,Install draw,Flush inset,Flush inset,NA
7/8" – 22* mm – Glas, 15/16" – 23.3** mm – Edelstahl



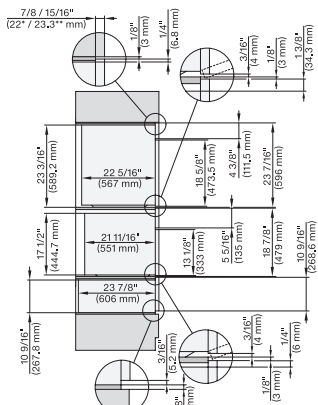
DGC 6x00-1+EBA 6808, H6x70 BM, ESW 6x80, DGC7xxx, EBA7848, H7x70, ESW7x80 Combi, Installation drawing, Flush inset, NA
7/8" – 22* mm – Glas, 15/16" – 23.3** mm – Edelstahl



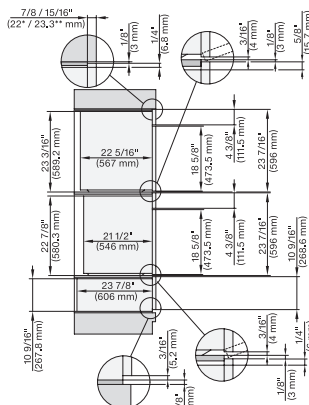
DGC 6x00+EBA6808, H 6560 B, H6x60, ESW6x80, DGC7xxx, EBA7868, H7xxx, ESW7x80 Combi, Install. draw., Flush inset, NA
7/8" – 22* mm – Glas, 15/16" – 23.3** mm – Edelstahl



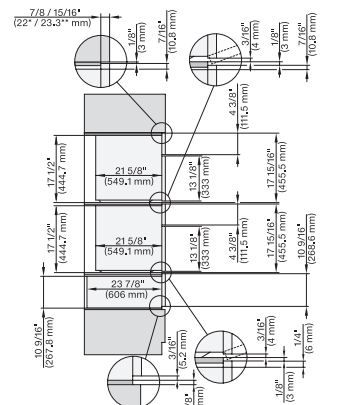
DGC 6x6x (AM)+EBA 6808, H 6x00, ESW 6x80, DGC786x, EBA 78x8, H7x40, ESW7x80 Combi, Installation drawing, Flush inset, NA
7/8" – 22* mm – Glas, 15/16" – 23.3** mm – Edelstahl



DGC 6x6x (AM)+EBA 6808, H 6x70 BM, ESW 6x80, DGC786x, EBA7868, H7x70, ESW7x80 Combi, Installat drawing, Flush inset, NA
7/8" – 22* mm – Glas, 15/16" – 23.3** mm – Edelstahl



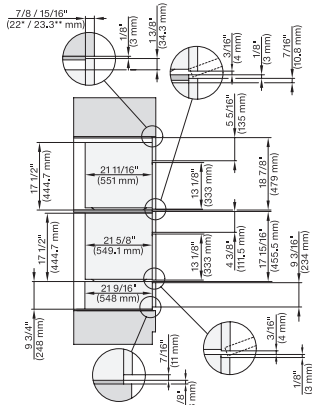
DGC6x6x(AM)+EBA 6808, H 6560B, H 6x60, ESW 6x80, DGC786x, EBA7868, H7xxx, ESW7x80 Combi, Install drawing, Flush inset, NA
7/8" – 22* mm – Glas, 15/16" – 23.3** mm – Edelstahl



H 6x00 BM + EBA 6808, ESW 6x80, H7x40, EBA 7848, ESW 7x80 Combi, Installation drawing, Flush inset, NA
7/8" – 22* mm – Glas, 15/16" – 23.3** mm – Edelstahl

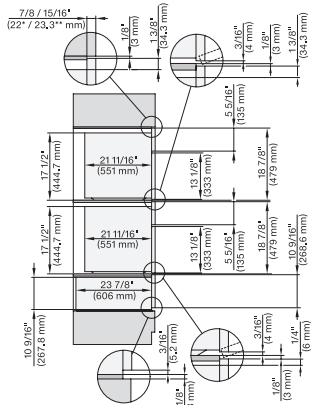
ESW 7680

Handleless Gourmet warming drawer, 30"- width and 10 13/16" height for preheating dishware, keeping food warm, and Slow Roasting.



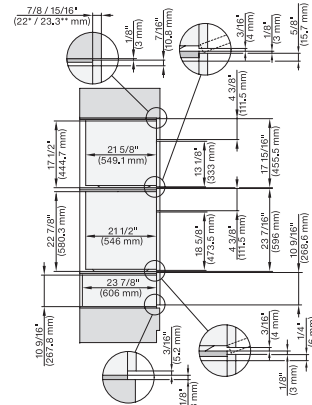
H 6x70 BM, H 6x00 BM + EBA 6808, ESW 6x85, DGC7x7x, EBA7848, H7xxx, ESW7x70 Combi, Installation drawing, Flush inset, NA

7/8" – 22* mm – Glas, 15/16" – 23.3** mm – Edelstahl



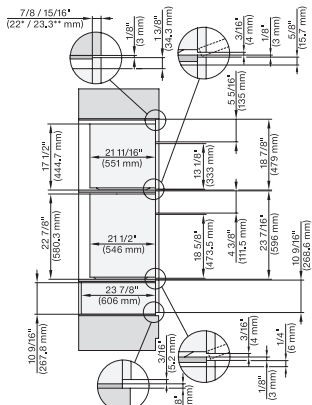
H 6x70 BM, ESW 6x80, DGC7xxx, H7x70, ESW 7x80 Combi, Installation drawing, Flush inset, Flush inset, NA

7/8" – 22* mm – Glas, 15/16" – 23.3** mm – Edelstahl



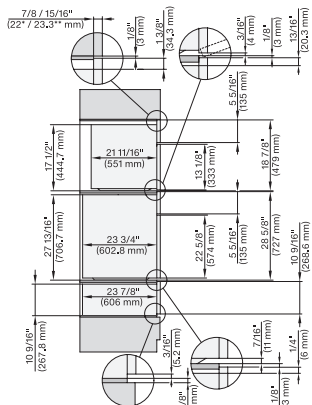
(H 6560, H 6x60, H 6x00) + EBA 6808; ESW 6x80, H7xxx, EBA78x8, ESW7x80, Combi, Install drawing, Flush inset, NA

7/8" – 22* mm – Glas, 15/16" – 23.3** mm – Edelstahl



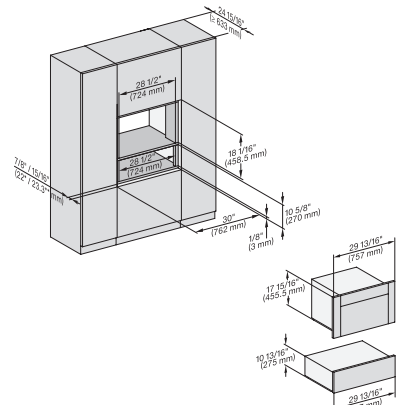
(H 6560 B, H 6x60 BP) + EBA6808; H 6x70, ESW 6x80, H7xxx, EBA7868, ESW7x80 Combi, Installation drawing, Flush inset, NA

7/8" – 22* mm – Glas, 15/16" – 23.3** mm – Edelstahl

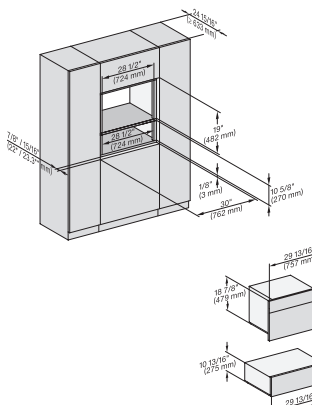


H 6x80 BP, H 6x70 BM, ESW 6x80, H 6x80-2BP, DGC7xxx, H 7xxx, ESW7x80 Combi, Installation drawing, Flush inset, NA

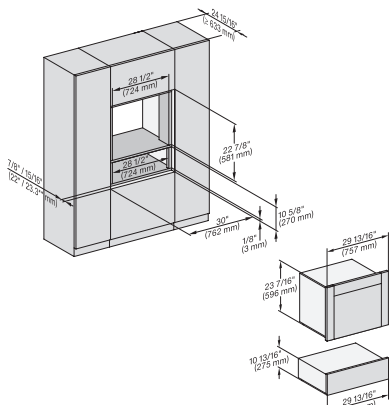
7/8" – 22* mm – Glas, 15/16" – 23.3** mm – Edelstahl



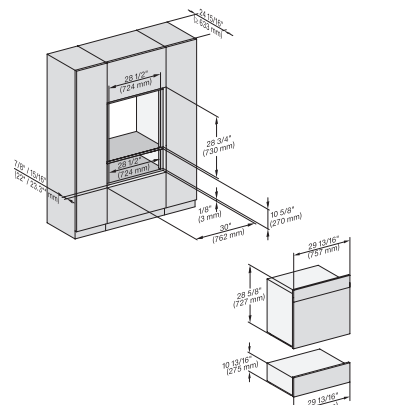
H 6x00+EBA 6808, ESW 6x80, DGC 6x00-1+EBA 6808, DGC7xxx, EBA7848, H7xxx, ESW7x80 , Installation drawing, Flush inset, NA



H 6x70 BM, ESW 6x80, DGC7x7x, H7x7x, ESW7x80 Fitting Combi, Installation drawing, Flush inset, NA



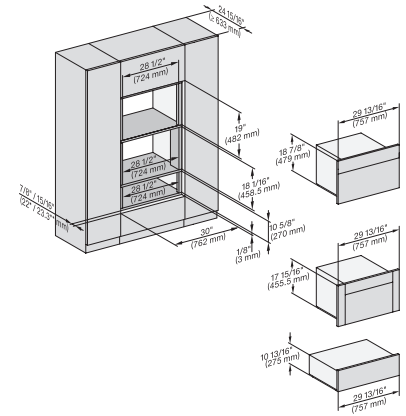
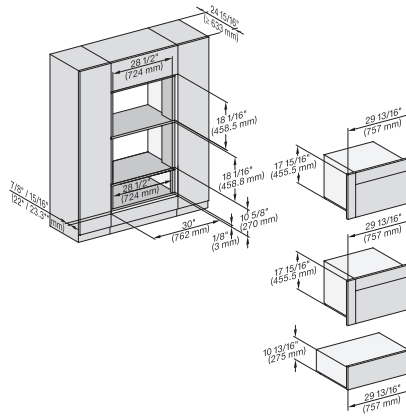
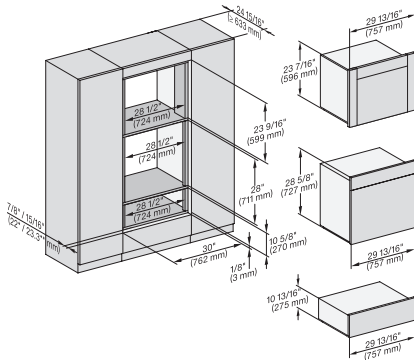
H 6560, H 6x60, DGC 686x+EBA6808, ESW6x80, DGC676x, DGC7xxx, EBA7868, H 7xxx, ESW7x80, Install draw, Flush inset, NA



H 6x80 BP, ESW 6x80, H 6x80-2BP, H7x8x, ESW7x80, H 2x8x Fitting Combi, Installation drawing, Flush inset, NA

ESW 7680

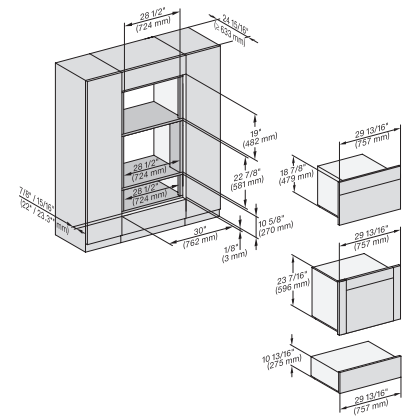
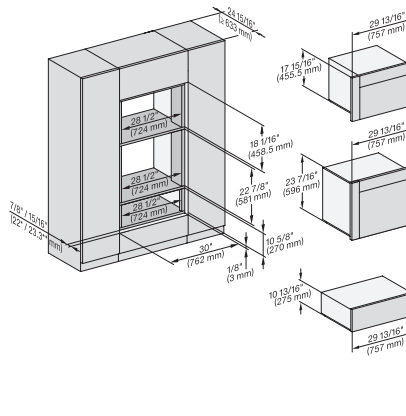
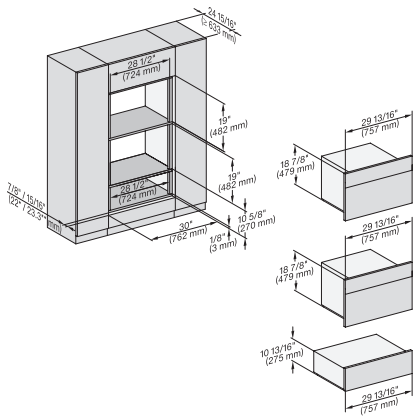
Handleless Gourmet warming drawer, 30"- width and 10 13/16" height for preheating dishware, keeping food warm, and Slow Roasting.



DGC6x6x (AM)+EBA6808, H 6x80, ESW 6x80, H 6x80-2, DGC786x, EBA7868, H 7x80, Fitting Combi, Install draw, Flush inset, NA

H 6x00+EBA 6808, ESW 6x80, DGC 6x00-1, DGC7x40, EBA7848, H7x40, ESW7x8x,Fitting Combi, Install drawing, Flush inset, NA

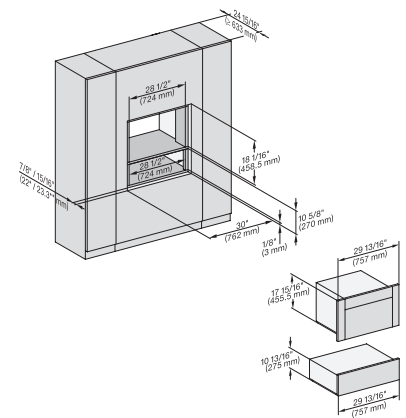
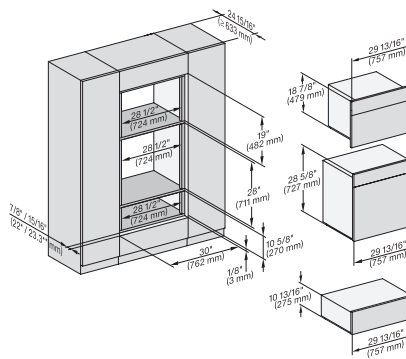
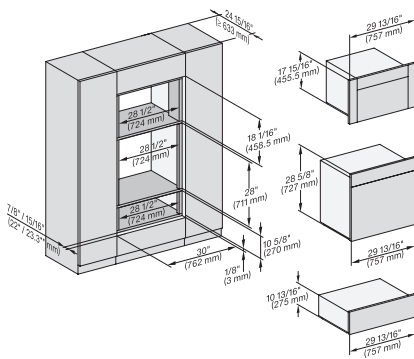
H 6x70, H 6x00+EBA 6808, ESW 6x80, DGC 6x00-1, H7xxx, EBA7848, ESW7x80 Fitting Combi, Install drawing, Flush inset, NA



H 6x70 BM, ESW 6x80, H7x70, ESW 7x80 Fitting Combi, Installation drawing, Flush inset, NA

H 6x60 B/BP, H 6x00 BM, DGC 686x AM, DGC 6x00-1+EBA 6808; DGC 676x, ESW 6x80, DGC7x4x, EBA 7x68, H 7xxx, ESW 7x80 NA

H 6x60 B/BP, DGC 686x AM+ EBA 6808; H 6x70 BM, ESW 6x80, DGC 676x, DGC 7x7x, EBA 7868, ESW7x780,Installation drawing, NA



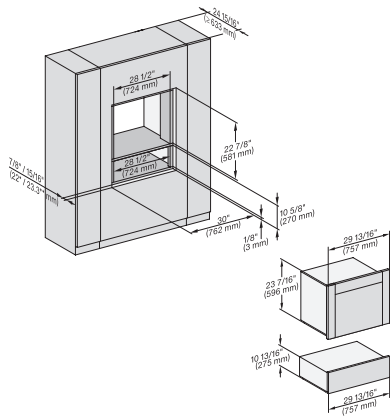
H 6x80 BP, H 6x00 BM + EBA 6808, ESW 6x80, DGC 6x00-1, H 6x80-2BP, DGC7x40, EBA 7848, H2880BP, H7x80BP, Flush inset, NA

H 6x80 BP, H 6x70 BM, ESW 6x80, H 6x80-2BP, DGC7xxx, H7xxxBM/BMX/BP/BPX, H2x80BP, ESW7x80, Installation drawing, NA

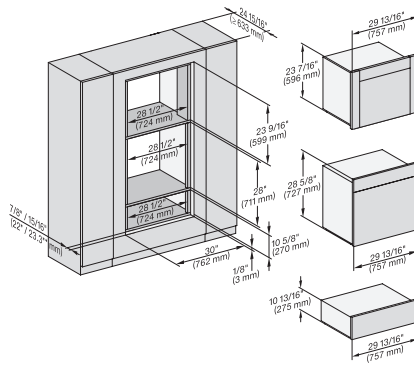
H 6x00 BM + EBA 6808, ESW 6x80, DGC 6x00-1, DGC 7x7x, EBA 7848, H7x40BM, ESW 7x80, Installation drawing, Flush inset, NA

ESW 7680

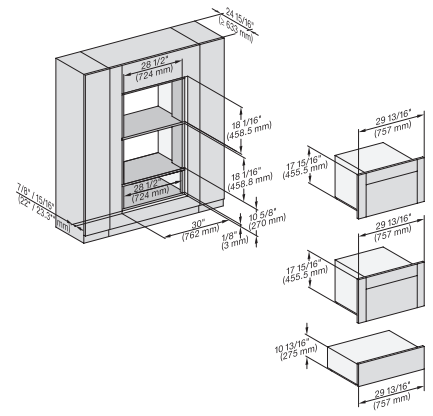
Handleless Gourmet warming drawer, 30"- width and 10 13/16" height for preheating dishware, keeping food warm, and Slow Roasting.



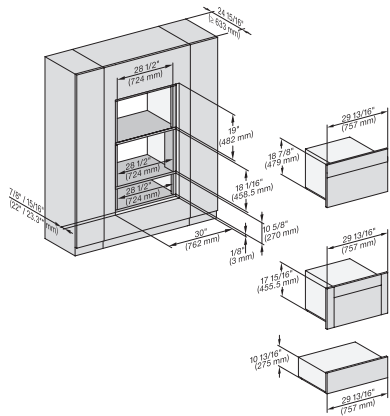
H 6x60 B/BP, DGC 686x AM, EBA 6808; ESW 6x80, DGC 676x, DGC 786x, EBA 7868, H7xxxBP, ESW 7x80 Flush inset, NA



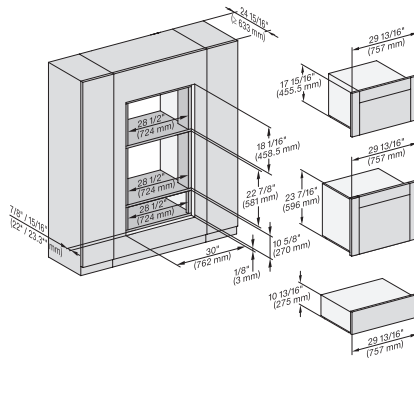
DGC 6x6x (AM) + EBA 6808, H 6x80 BP, ESW 6x80, H 6x80-2BP, DGC 786x, EBA 7868, H7x80BP/BPX, ESW 7x80, Flush inset, NA



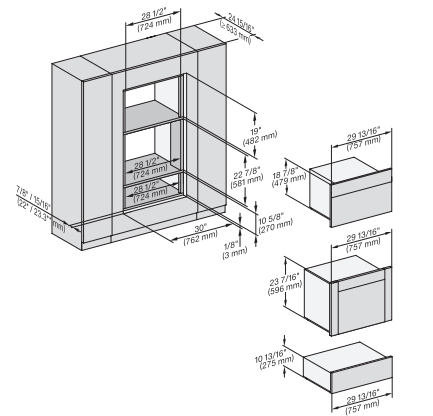
H 6x00 BM + EBA 6808, ESW 6x80, DGC 6x00-1, DGC 7x4x, EBA 7848, H7x4xBM, ESW 7x80, Installation drawing, Flush inset, NA



H 6x70 BM, H 6x00 BM + EBA 6808, ESW 6x80, DGC 6x00-1, H 7x7x BM/BMX, EBA 7848, ESW 7x80, Flush inset, NA



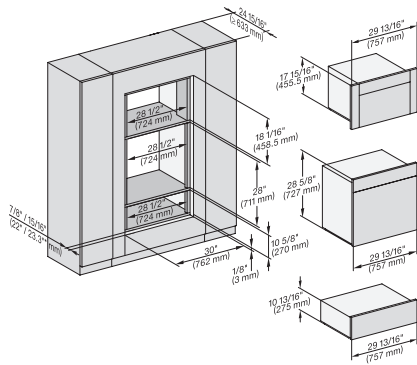
H6x60B/BP, H6x00BM, DGC6xxxAM+EBA; DGC676x, ESW6x80, DGC676x, ESW6x80, DGC7x7x, EBA78x8, H7xxxBM/BP, ESW7x80, NA



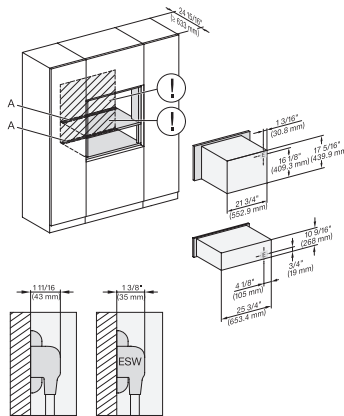
(H6560 B, H6x60 BP, DGC686x AM) + EBA6808, H6x70 BM, DGC676x, ESW6x80, DGC7xxx, EBA7868, H7xxxBP, ESW7x80, NA

ESW 7680

Handleless Gourmet warming drawer, 30"- width and 10 13/16" height for preheating dishware, keeping food warm, and Slow Roasting.

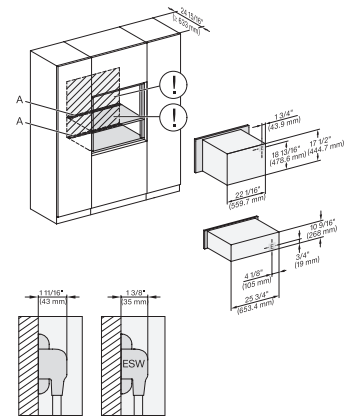


H 6x80 BP, H 6x00 BM + EBA 6808, ESW 6x80, DGC 6x00, H 6x80-2BP, DGC7x4x, EBA7848, H2880BP, H7x80BP, ESW7x80, NA



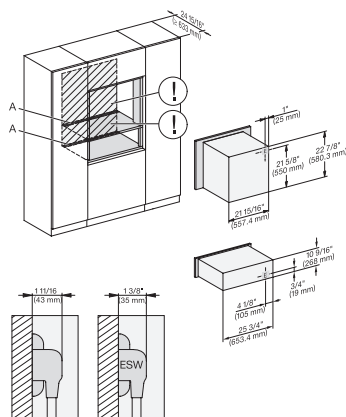
H 6x00 BM + EBA 6808, ESW 6x80, H 7x40BM + EBA 7848 Installation Combi, Installation drawing, Flush inset, NA

A – Cut-out (4" x 28" / 100 mm x 720 mm) in the bottom of the cabinet for power cord and ventilation, – Electrical and water supplies are recommended to be placed in adjacent cabinetry, Additional cabinet depth is required when placing the electrical and water supplies behind the appliance., E = Electric connection



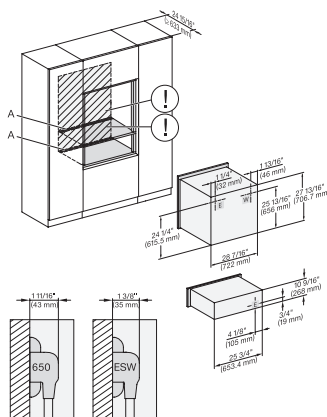
H 6x70 BM, ESW 6x80, H 7x70 BM/BMX, ESW 7x80 Installation Combi, Installation drawing, Flush inset, NA

A – Cut-out (4" x 28" / 100 mm x 720 mm) in the bottom of the cabinet for power cord and ventilation, – Electrical and water supplies are recommended to be placed in adjacent cabinetry, Additional cabinet depth is required when placing the electrical and water supplies behind the appliance., E = Electric connection



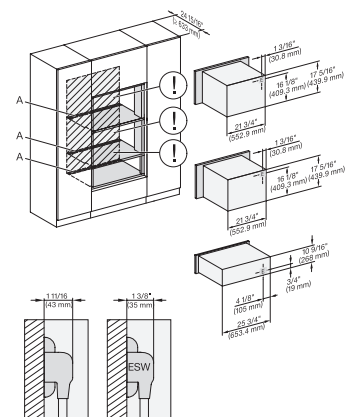
H 6560 B + EBA 6808, H 6x60 BP, ESW 6x80, H 7xxx, EBA 7868, ESW 7x80, Installation drawing, Flush inset, NA

A – Cut-out (4" x 28" / 100 mm x 720 mm) in the bottom of the cabinet for power cord and ventilation, – Electrical and water supplies are recommended to be placed in adjacent cabinetry, Additional cabinet depth is required when placing the electrical and water supplies behind the appliance., E = Electric connection



H 6x80 BP, ESW 6x80, H 6x80-2BP, H 2x80BP, H 7xxx BP/BPX, ESW 7x80 Installation drawing, Flush inset, NA

A – Cut-out (4" x 28" / 100 mm x 720 mm) in the bottom of the cabinet for power cord and ventilation, – Electrical and water supplies are recommended to be placed in adjacent cabinetry, Additional cabinet depth is required when placing the electrical and water supplies behind the appliance., E = Electric connection

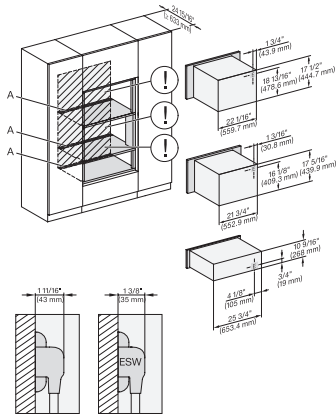


H 6x00 BM + EBA 6808, ESW 6x80, H7x40BM, EBA7848, ESW7x80 Installation Combi, Installation drawing, Flush inset, NA

A – Cut-out (4" x 28" / 100 mm x 720 mm) in the bottom of the cabinet for power cord and ventilation, – Electrical and water supplies are recommended to be placed in adjacent cabinetry, Additional cabinet depth is required when placing the electrical and water supplies behind the appliance., E = Electric connection

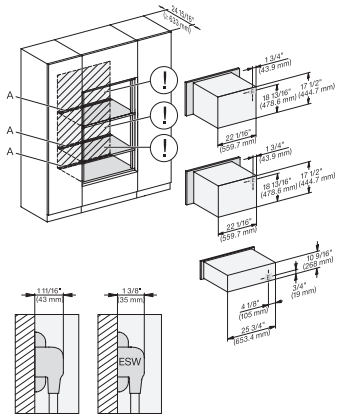
ESW 7680

Handleless Gourmet warming drawer, 30"- width and 10 13/16" height for preheating dishware, keeping food warm, and Slow Roasting.



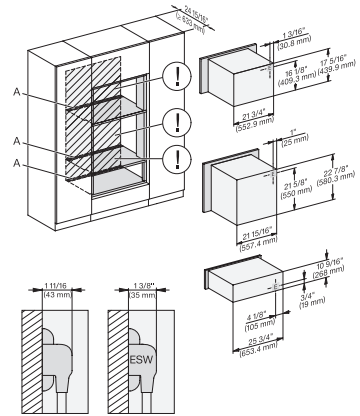
H 6x70 BM, H 6x00 BM + EBA 6808, ESW 6x80, H 7xxxBM/BMX, EBA 7848, ESW 7x80, Installation drawing, Flush inset, NA

A – Cut-out (4" x 28" / 100 mm x 720 mm) in the bottom of the cabinet for power cord and ventilation, – Electrical and water supplies are recommended to be placed in adjacent cabinetry, Additional cabinet depth is required when placing the electrical and water supplies behind the appliance, E = Electric connection



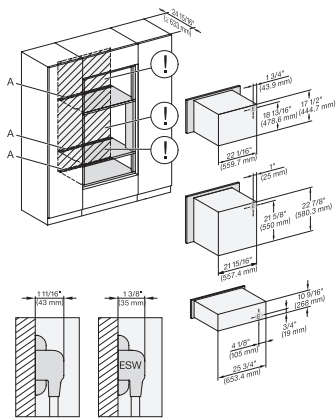
H 6x70 BM, ESW 6x80, H 7x70BM/BMX, ESW 7x80 Installation Combi, Installation drawing, Flush inset, NA

A – Cut-out (4" x 28" / 100 mm x 720 mm) in the bottom of the cabinet for power cord and ventilation, – Electrical and water supplies are recommended to be placed in adjacent cabinetry, Additional cabinet depth is required when placing the electrical and water supplies behind the appliance, E = Electric connection



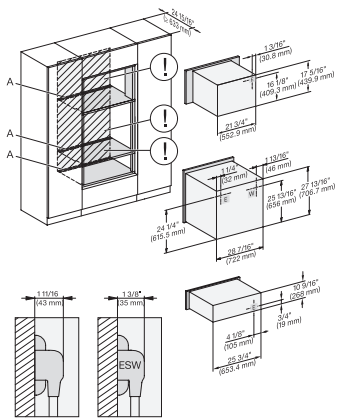
H 6560 B, EBA 6808, H 6x60 BP, H 6x00BM, ESW 6x80, H7xxxBP/BM, EBA 7848, ESW 7x80, Installation drawing, Flush inset, NA

A – Cut-out (4" x 28" / 100 mm x 720 mm) in the bottom of the cabinet for power cord and ventilation, – Electrical and water supplies are recommended to be placed in adjacent cabinetry, Additional cabinet depth is required when placing the electrical and water supplies behind the appliance, E = Electric connection



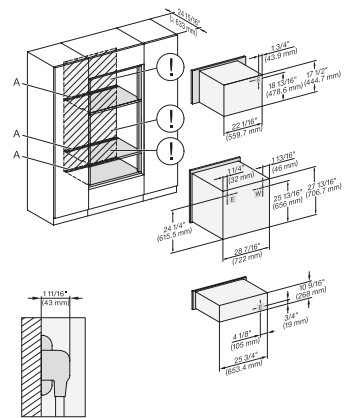
H 6x60 B/BP + EBA 6808, H 6x70 BM, ESW 6x80, H 7xxxBP/BM/BMX, EBA 7868, ESW 7x80 Installation drawing, Flush inset, NA

A – Cut-out (4" x 28" / 100 mm x 720 mm) in the bottom of the cabinet for power cord and ventilation, – Electrical and water supplies are recommended to be placed in adjacent cabinetry, Additional cabinet depth is required when placing the electrical and water supplies behind the appliance, E = Electric connection



H 6x80 BP, H 6x00 BM + EBA 6808, H 6x80-2BP, H 7xxxBM/BP/BPC, EBA 7848, ESW 7x80, Installation drawing, Flush inset, NA

A – Cut-out (4" x 28" / 100 mm x 720 mm) in the bottom of the cabinet for power cord and ventilation, – Electrical and water supplies are recommended to be placed in adjacent cabinetry, Additional cabinet depth is required when placing the electrical and water supplies behind the appliance, E = Electric connection

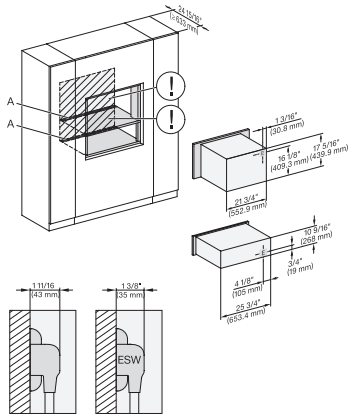


H 6x80BP, H 6x70 BM, ESW 6x80, H 6x80-2BP, H 2880BP, H 7xxxBP/BPX/BM/BMX, ESW 7x80 Installation drawing, Flush inset, NA

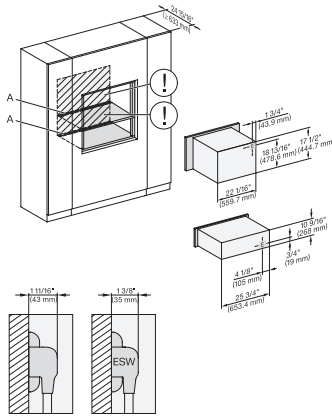
A – Cut-out (4" x 28" / 100 mm x 720 mm) in the bottom of the cabinet for power cord and ventilation, – Electrical and water supplies are recommended to be placed in adjacent cabinetry, Additional cabinet depth is required when placing the electrical and water supplies behind the appliance, E = Electric connection

ESW 7680

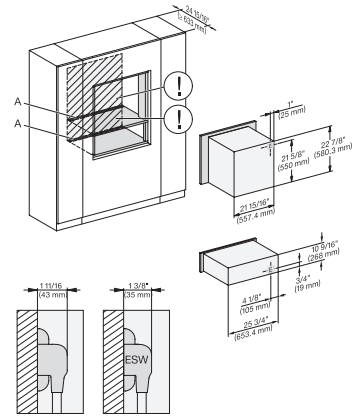
Handleless Gourmet warming drawer, 30-" width and 10 13/16" height for preheating dishware, keeping food warm, and Slow Roasting.



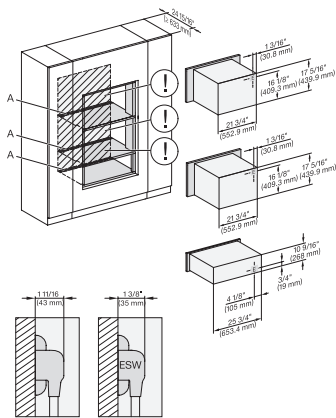
H 6x00 BM + EBA 6808, ESW 6x80, H 7x40BM, EBA 7848, ESW 7x80, Installation drawing, Flush inset, NA
 A – Cut-out (4" x 28" / 100 mm x 720 mm) in the bottom of the cabinet for power cord and ventilation, – Electrical and water supplies are recommended to be placed in adjacent cabinetry, Additional cabinet depth is required when placing the electrical and water supplies behind the appliance., E = Electric connection



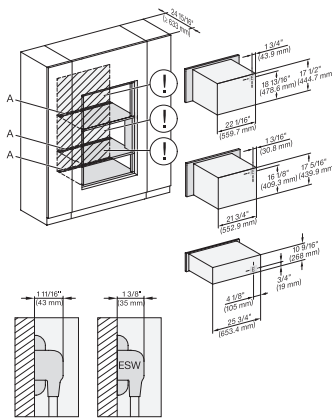
H 6x70 BM, ESW 6x80, H 7x70BM/BMX, ESW 7x80, Installation Combi wide front, Installation drawing, Flush inset, NA
 A – Cut-out (4" x 28" / 100 mm x 720 mm) in the bottom of the cabinet for power cord and ventilation, – Electrical and water supplies are recommended to be placed in adjacent cabinetry, Additional cabinet depth is required when placing the electrical and water supplies behind the appliance., E = Electric connection



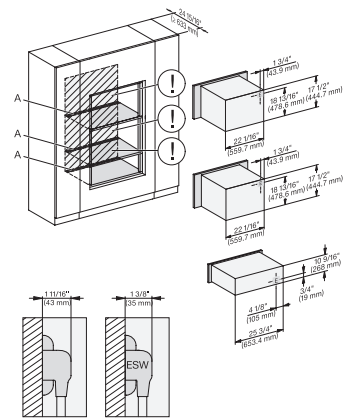
H 6560 B + EBA 6808, H 6x60 BP + EBA 6808, ESW 6x80, H 7xxxBP, EBA 7868, ESW 7x80, Installation drawing, Flush inset, NA
 A – Cut-out (4" x 28" / 100 mm x 720 mm) in the bottom of the cabinet for power cord and ventilation, – Electrical and water supplies are recommended to be placed in adjacent cabinetry, Additional cabinet depth is required when placing the electrical and water supplies behind the appliance., E = Electric connection



H 6x00 BM + EBA 6808, ESW 6x80, H 7x40BM, EBA 7848, ESW 7x80, Installation drawing, Flush inset, NA
 A – Cut-out (4" x 28" / 100 mm x 720 mm) in the bottom of the cabinet for power cord and ventilation, – Electrical and water supplies are recommended to be placed in adjacent cabinetry, Additional cabinet depth is required when placing the electrical and water supplies behind the appliance., E = Electric connection



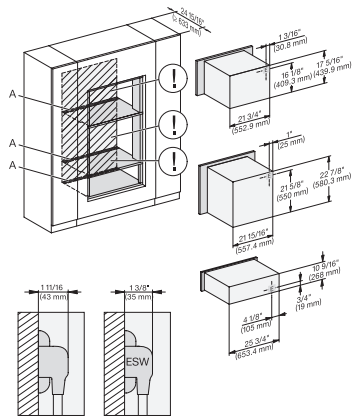
H 6x70 BM, H 6x00 BM + EBA 6808, ESW 6x80, H 7xxx BM/BMX, EBA 7848, ESW 7x80, Installation drawing, Flush inset, NA
 A – Cut-out (4" x 28" / 100 mm x 720 mm) in the bottom of the cabinet for power cord and ventilation, – Electrical and water supplies are recommended to be placed in adjacent cabinetry, Additional cabinet depth is required when placing the electrical and water supplies behind the appliance., E = Electric connection



H 6x70 BM, ESW 6x80, H 7x70 BM/BMX, ESW 7x80, Installation drawing, Flush inset, NA
 A – Cut-out (4" x 28" / 100 mm x 720 mm) in the bottom of the cabinet for power cord and ventilation, – Electrical and water supplies are recommended to be placed in adjacent cabinetry, Additional cabinet depth is required when placing the electrical and water supplies behind the appliance., E = Electric connection

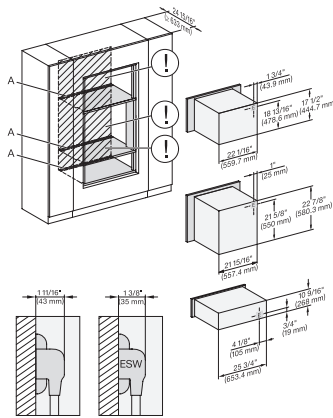
ESW 7680

Handleless Gourmet warming drawer, 30-" width and 10 13/16" height for preheating dishware, keeping food warm, and Slow Roasting.



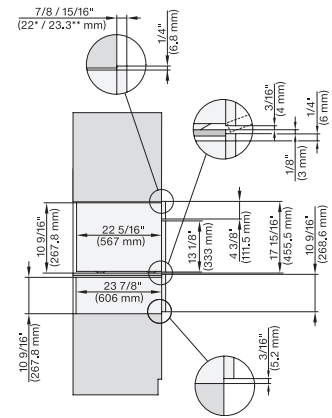
(H 6x60 B/BP, H 6x00 BM) + EBA 6808, ESW 6x80, H 7xxx BP/BM, EBA 7848, ESW 7x80, Installation drawing, Flush inset, NA

A – Cut-out (4" x 28" / 100 mm x 720 mm) in the bottom of the cabinet for power cord and ventilation, – Electrical and water supplies are recommended to be placed in adjacent cabinetry, Additional cabinet depth is required when placing the electrical and water supplies behind the appliance, E = Electric connection



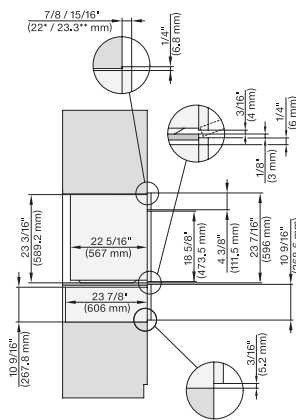
H 6560 B + EBA 6808, H 6x60 BP + EBA 6808, H 6x70 BM, ESW 6x80, H 7xxx BP/BM/BMX, EBA 7868, ESW 7x80, Flush inset, NA

A – Cut-out (4" x 28" / 100 mm x 720 mm) in the bottom of the cabinet for power cord and ventilation, – Electrical and water supplies are recommended to be placed in adjacent cabinetry, Additional cabinet depth is required when placing the electrical and water supplies behind the appliance, E = Electric connection



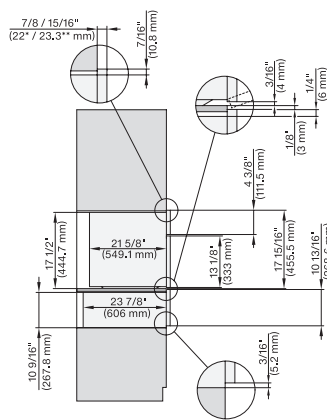
DGC 6x00-1 + EBA 6808, ESW 6x80, DGC7x4x+EBA7848, ESW7x80, Combi, Installation drawing, Proud, NA

7/8" – 22* mm – Glas, 15/16" – 23.3** mm – Edelstahl



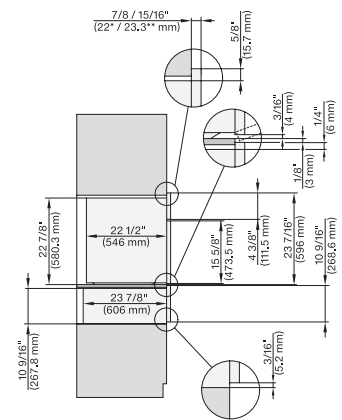
DGC 6x6x (AM), ESW 6x80, DGC786x+EBA7868, ESW7x80, Combi, Installation drawing, Proud, NA

7/8" – 22* mm – Glas, 15/16" – 23.3** mm – Edelstahl



H 6x00 BM + EBA 6808, ESW 6x80, H7x40BM+EBA7848, ESW7x80, Combi, Installation drawing, Proud, NA

7/8" – 22* mm – Glas, 15/16" – 23.3** mm – Edelstahl

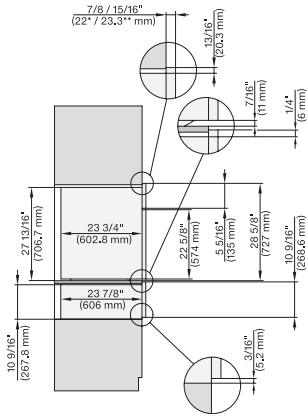


Side view 30Zoll Proud Kombi 650S ESW30, Installation drawing, NA

7/8" – 22* mm – Glas, 15/16" – 23.3** mm – Edelstahl

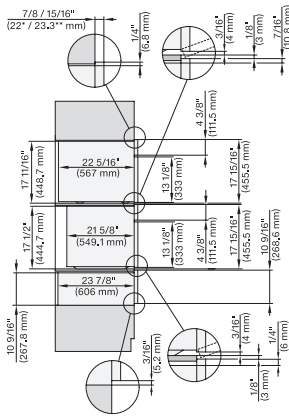
ESW 7680

Handleless Gourmet warming drawer, 30-'' width and 10 13/16'' height for preheating dishware, keeping food warm, and Slow Roasting.



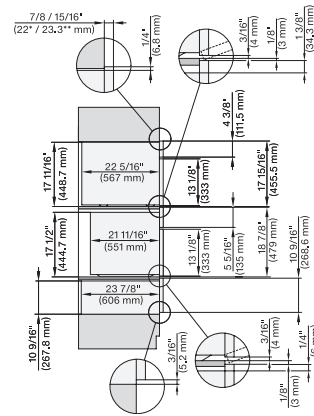
H 6x80 BP, ESW 6x80, H 6x80-2BP, H2x80BP, H7x80BP(X), ESW7x80, Combi, Installation drawing, Proud, NA

7/8'' – 22* mm – Glas, 15/16'' – 23.3** mm – Edelstahl



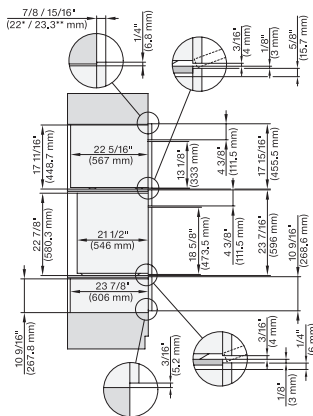
DGC6x00-1+EBA6808, H6x00BM + EBA6808, ESW6x80/7x80, DGC7x4+EBA7848, Combi, Installation drawing, Proud, Flush inset, NA

7/8'' – 22* mm – Glas, 15/16'' – 23.3** mm – Edelstahl



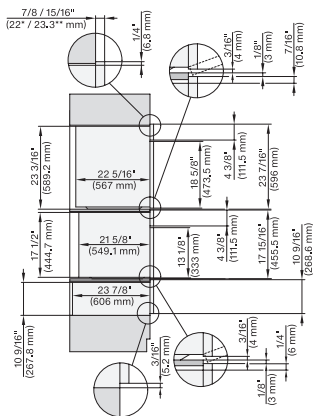
DGC 6x00-1 + EBA 6808, H 6x70 BM, ESW 6x80, DGC7x40+EBA7848, H7x70BM(X), ESW7x80, Combi, Installation drawing, Proud, NA

7/8'' – 22* mm – Glas, 15/16'' – 23.3** mm – Edelstahl



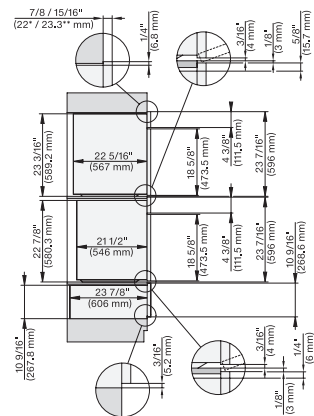
DGC 6x00-1/7x4x + EBA7/6xxx, H6560B+EBA6808, H6x60/7x6xBP+EBA7868/6808, ESW 6x80, Combi, Installation drawing, Proud, NA

7/8'' – 22* mm – Glas, 15/16'' – 23.3** mm – Edelstahl



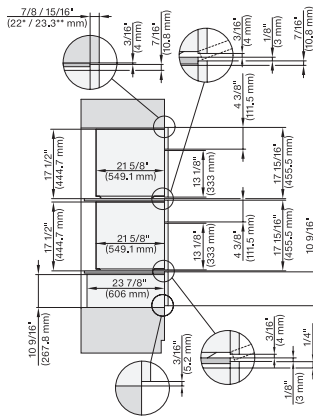
DGC6x6x(AM), H6x00BM+EBA6808, ESW6x80, DGC786x+EBA7868, H7x40BM+EBA7848, ESW 7x80, Combi, Installation drawing, Proud, NA

7/8'' – 22* mm – Glas, 15/16'' – 23.3** mm – Edelstahl



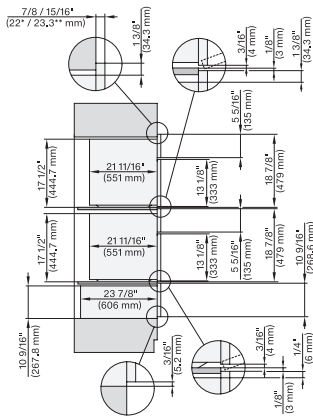
(DGC6x6x, H6560B, H6x60BP)+EBA6808, ESW6x80, (DGC786x, H7x6xBP)+EBA7868, ESW7x80 Combi, Installation drawing, Proud, NA

7/8'' – 22* mm – Glas, 15/16'' – 23.3** mm – Edelstahl



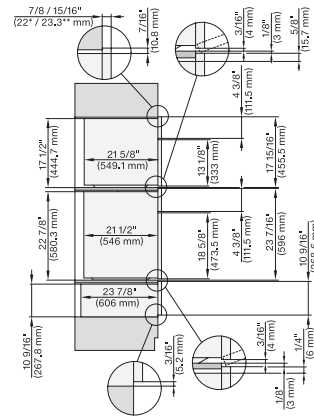
H6x00BM+EBA6808, ESW6x80, H7x40BM+EBA7848, ESW7x80, Combi, Installation drawing, Proud, NA

7/8'' – 22* mm – Glas, 15/16'' – 23.3** mm – Edelstahl



H6x70BM, ESW6x80, DGC7x7x(X), H7x70BM, ESW7x80, Combi, Installation drawing, Proud, Flush inset, NA

7/8'' – 22* mm – Glas, 15/16'' – 23.3** mm – Edelstahl

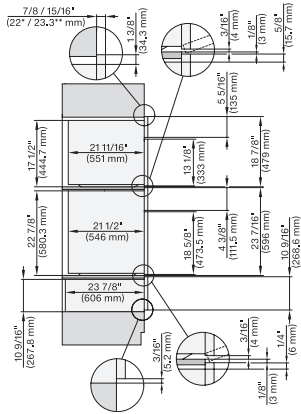


(H6560B, H6x60BP, H6x00BM)+EBA6808, ESW6x80, H7x6x+EBA7868, H7x40BM+EBA7848, Combi, Installation drawing, Proud, Flush inset

7/8'' – 22* mm – Glas, 15/16'' – 23.3** mm – Edelstahl

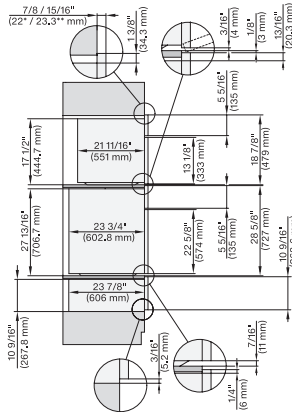
ESW 7680

Handleless Gourmet warming drawer, 30"- width and 10 13/16" height for preheating dishware, keeping food warm, and Slow Roasting.



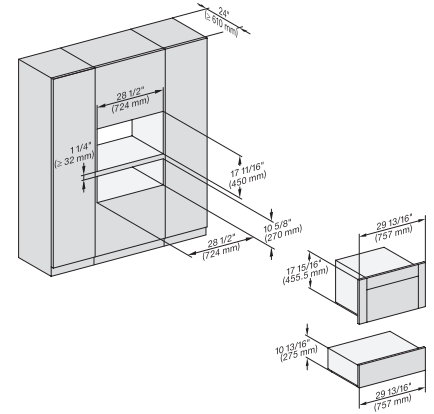
(H6560B, H6x60BP)+EBA6808, H6x70BM, ESW6x80, H7x6xBP+EBA7868, H7x70BM(X), ESW7x80, Combi, Proud, Flush inset, NA

7/8" – 22* mm – Glas, 15/16" – 23.3** mm – Edelstahl

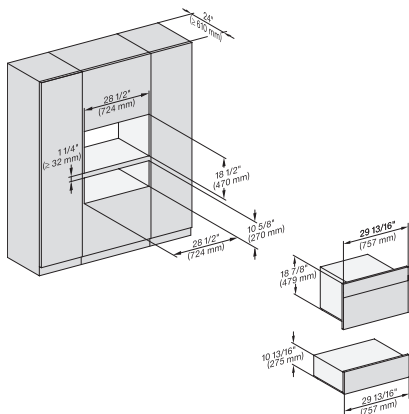


H6x80(2)BP, H6x70BM, ESW6x80, DGC7x7(X), H7x70BM(X), H7x80BP, ESW7x80, Combi, Installation, Proud, Flush inset,

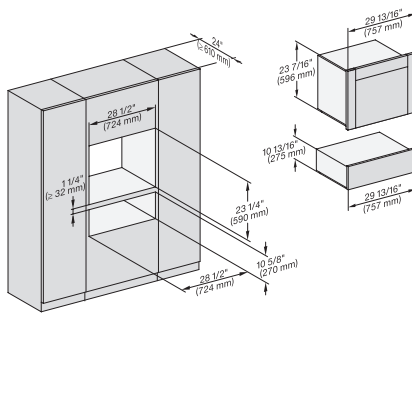
7/8" – 22* mm – Glas, 15/16" – 23.3** mm – Edelstahl



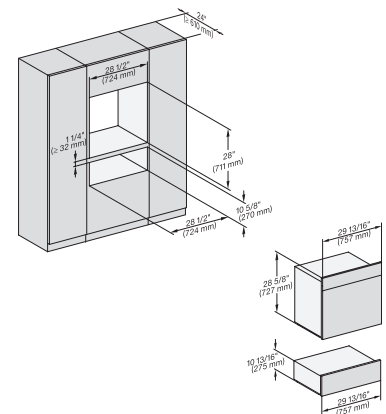
(H6x00BM, DGC6x00-1)+EBA6808, ESW6x80, DGC7xxx+EBA7848, H7x40BM+EBA7848, ESW7x80, Fitting Combi, Installation, Proud,



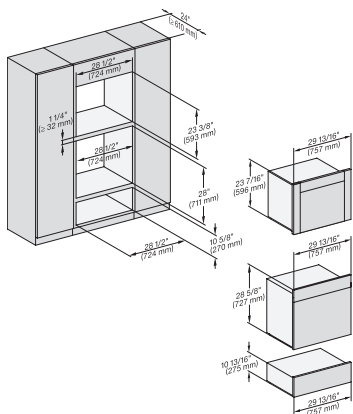
H 6x70 BM, ESW 6x80, DGC7x70X, H7x70BM, ESW7x80, Fitting Combi, Installation drawing, Proud, NA



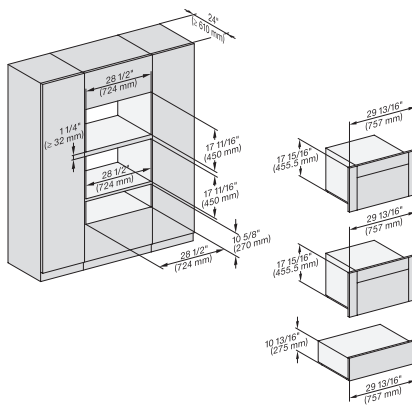
(H6560B, H6x60BP, DGC686xAM)+EBA6808, ESW6x80, DGC676x, (DGC786x, H7x6xBP)+EBA7868, ESW7x80, Fitting Combi, Proud, NA



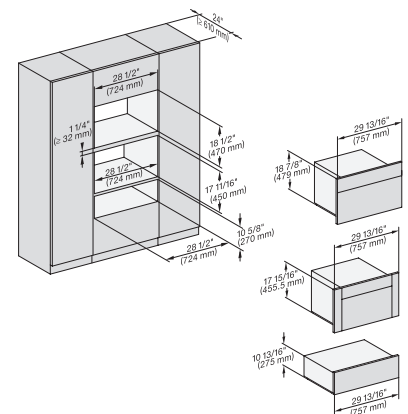
H6x80BP, ESW6x80, H6x80-2BP, H2x80BP, H7x80BPX, ESW7x80, Fitting Combi, Installation drawing, Proud, NA



DGC6x6x(AM)+EBA6808, H6x80(-2)BP, ESW6x80, DGC786x+EBA7868, H2880BP, H7x80BP, ESW7x80, Fitting Combi, Installation, Proud,



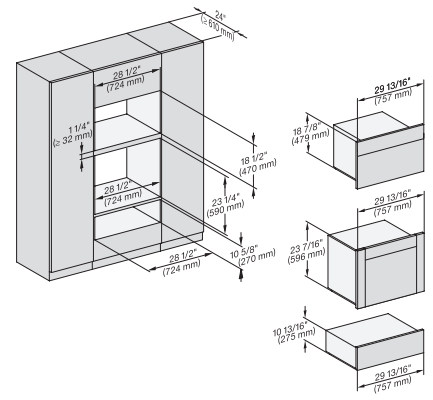
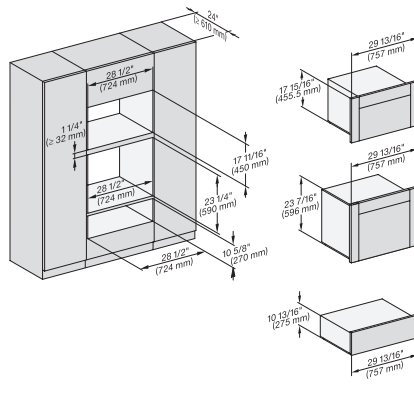
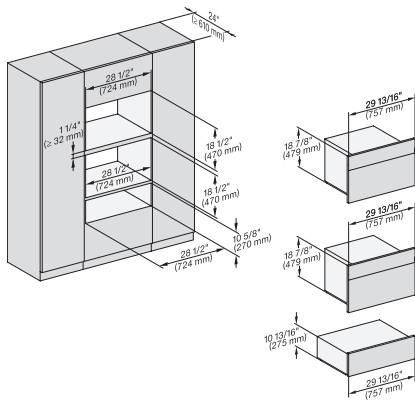
(H6x00BM, DGC6x00-1)+EBA6808, ESW6x80, (DGC7x4x, , H7x40BM)+EBA7848, ESW7x80, Fitting Combi, Installation, Proud, NA



H6x70BM, (H6x00BM, DGC6x00-1)+EBA 6808, ESW6x80, H7x70BM, H7x40BM+EBA7848, ESW7x80, Fitting Combi, Installation, Proud,

ESW 7680

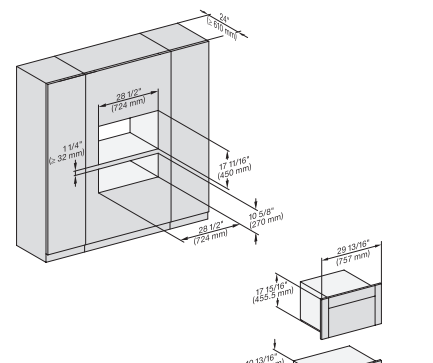
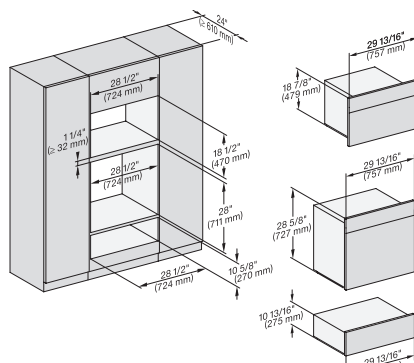
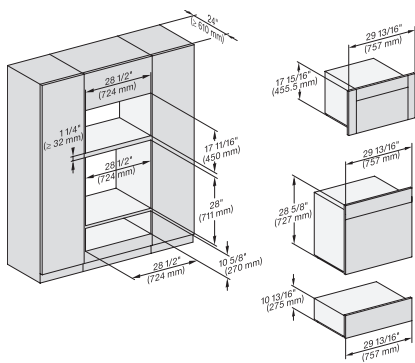
Handleless Gourmet warming drawer, 30"- width and 10 13/16" height for preheating dishware, keeping food warm, and Slow Roasting.



H 6x70 BM, ESW 6x80, H7x70BM, ESW7x80, Fitting Combi, Installation drawing, Proud, NA

(H6560B, H6x60BP, H6x00BM, DGC686xAM, DGC6x00-1)+EBA 6808, DGC 676x, ESW 6x80, NA7000 Fitting Combi, Installation, Proud

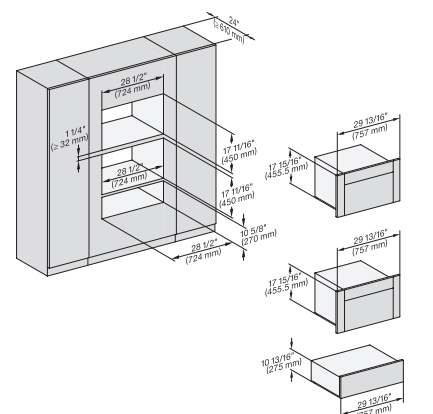
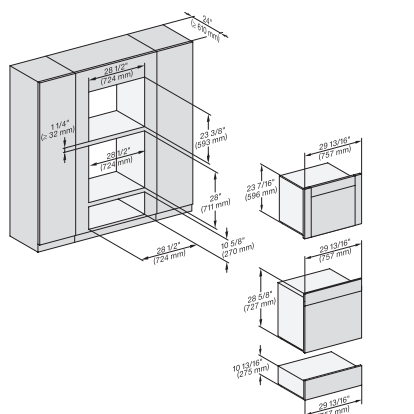
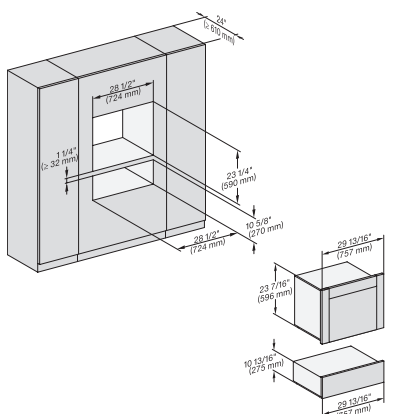
(H6560B, H6x60BP, DGC686xAM)+EBA6808; H6x70BM, ESW6x80, DGC676x, NA7000 Fitting Combi, Installation drawing, Proud, NA



H6x80BP, H6x00BM+EBA6808, ESW6x80, DGC6x00-1+EBA6808, H6x80-2BP, NA7000 Fitting Combi, Installation drawing, Proud, NA

H 6x80 BP, H 6x70 BM, ESW 6x80, H 6x80-2BP, NA7000 Fitting Combi, Installation drawing, Proud, NA
<https://miele-mms.de.miele.net/mms/admin/forward.php#>

(H6x00BM,DGC 6x00-1)+EBA6808, ESW6x80, DGC7xxx, H7x40BM)+EBA7848, ESW7x8, Fitting Combi wide front, Installation, Proud,



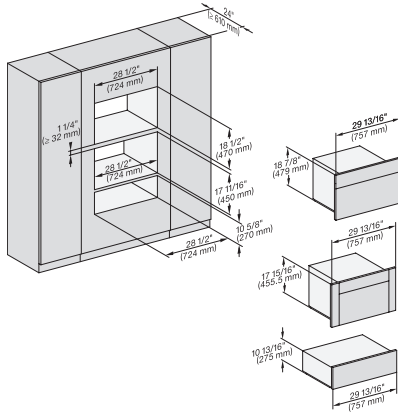
(H6560B, H6x60BP, DGC686xAM) + EBA6808; ESW6x80, DGC676x, NA7000 Fitting Combi wide front, Installation drawing, Proud

DGC 6x6x (AM) + EBA 6808, H 6x80 BP, ESW 6x80, H 6x80-2BP, NA7000 Fitting Combi wide front, Installation drawing, Proud

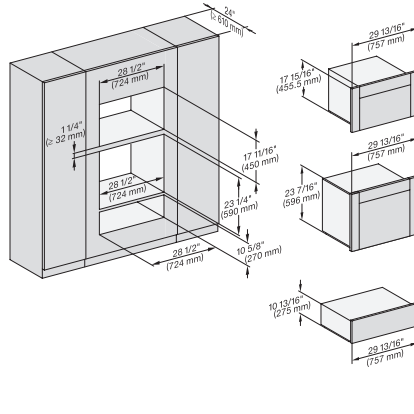
H 6x00 BM + EBA 6808, ESW 6x80, DGC 6x00-1 + EBA 6808, NA7000, Fitting Combi wide front, Installation drawing, Proud, NA

ESW 7680

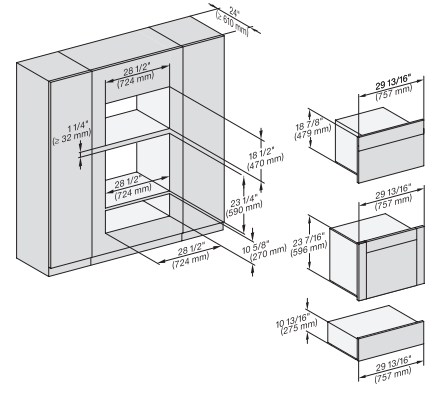
Handleless Gourmet warming drawer, 30"- width and 10 13/16" height for preheating dishware, keeping food warm, and Slow Roasting.



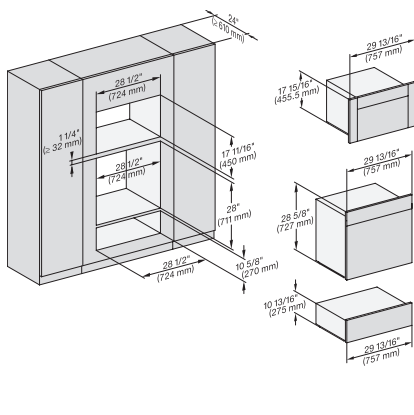
H6x70BM, H6x00BM + EBA6808, ESW6x80, DGC6x00-1 + EBA6808, NA7000 Fitting Combi wide front, Installation drawing, Proud



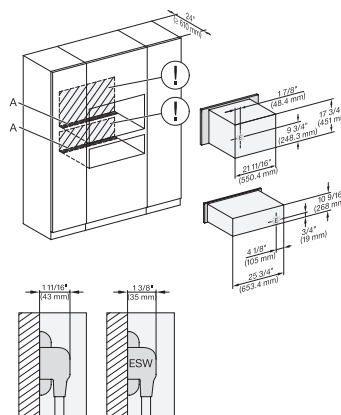
(H6560B, H6x60BP, H6x00BM, DGC686xAM, DGC6x00-1) + EBA; DGC676x, ESW6x80, NA7000, Fitting Combi w. front, drawing, Proud



(H6560 B, H6x60 BP, DGC686x AM) + EBA6808, H6x70 BM, DGC676x, ESW6x80, NA7000 Fitting Combi w. front, drawing, Proud, NA

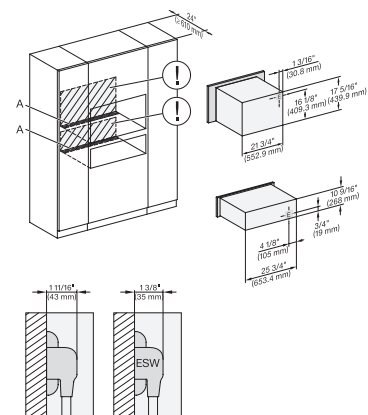


H6x80BP, H6x00BM + EBA6808, ESW6x80, DGC6x00 + EBA 6808, H 6x80-2BP, NA7000 Fitting Combi w. front, drawing, Proud, NA



DGC 6x00-1 + EBA 6808, ESW 6x80, Installation Combi, Installation drawing, Proud, NA

A – Cut-out (4" x 28" / 100 mm x 720 mm) in the bottom of the cabinet for power cord and ventilation, – Electrical and water supplies are recommended to be placed in adjacent cabinetry, Additional cabinet depth is required when placing the electrical and water supplies behind the appliance., E = Electric connection

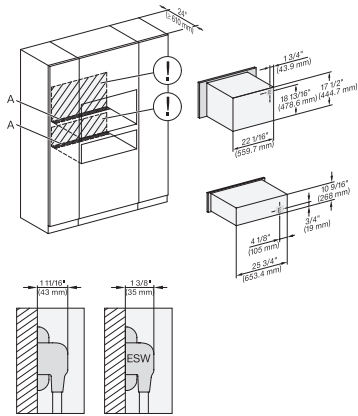


H 6x00 BM + EBA 6808, ESW 6x80, H7x40BM+EBA7848, ESW7x80, Installation Combi, Installation drawing, Proud, NA

A – Cut-out (4" x 28" / 100 mm x 720 mm) in the bottom of the cabinet for power cord and ventilation, – Electrical and water supplies are recommended to be placed in adjacent cabinetry, Additional cabinet depth is required when placing the electrical and water supplies behind the appliance., E = Electric connection

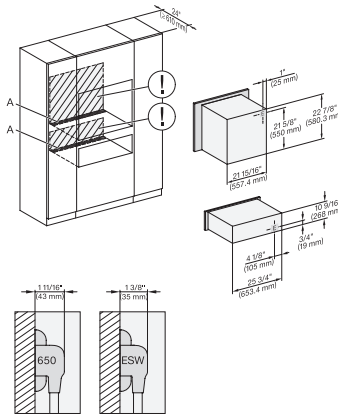
ESW 7680

Handleless Gourmet warming drawer, 30-" width and 10 13/16" height for preheating dishware, keeping food warm, and Slow Roasting.



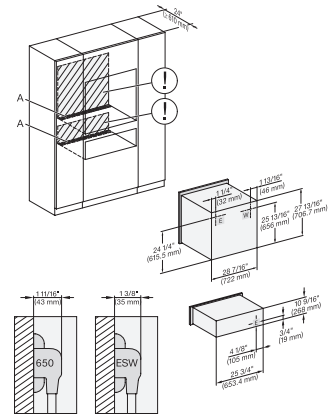
H 6x70 BM, ESW 6x80, H7x70BM(X), ESW7x80, Installation Combi, Installation drawing, Proud, NA

A – Cut-out (4" x 28" / 100 mm x 720 mm) in the bottom of the cabinet for power cord and ventilation, – Electrical and water supplies are recommended to be placed in adjacent cabinetry, Additional cabinet depth is required when placing the electrical and water supplies behind the appliance., E = Electric connection



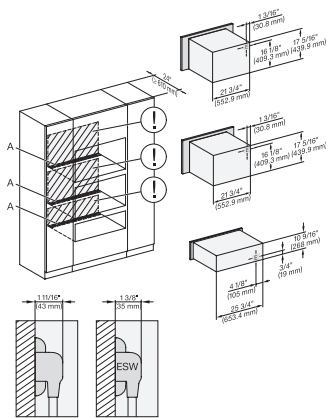
(H6560B, H6x60BP)+ EBA6808, ESW6x80, H7x6xBP+EBA7868, ESW7x80, Installation Combi, Installation drawing, Proud, NA

A – Cut-out (4" x 28" / 100 mm x 720 mm) in the bottom of the cabinet for power cord and ventilation, – Electrical and water supplies are recommended to be placed in adjacent cabinetry, Additional cabinet depth is required when placing the electrical and water supplies behind the appliance., E = Electric connection



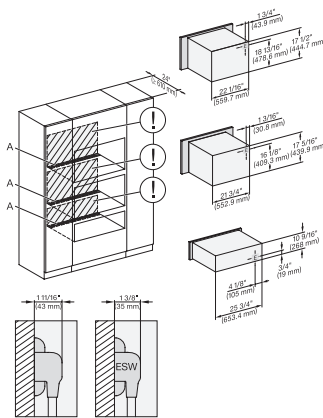
H 6x80 BP, ESW 6x80, H 6x80-2BP, H2x80BP, H7x80BP, ESW7x80, Installation Combi, Installation drawing, Proud, NA

A – Cut-out (4" x 28" / 100 mm x 720 mm) in the bottom of the cabinet for power cord and ventilation, – Electrical and water supplies are recommended to be placed in adjacent cabinetry, Additional cabinet depth is required when placing the electrical and water supplies behind the appliance., E = Electric connection



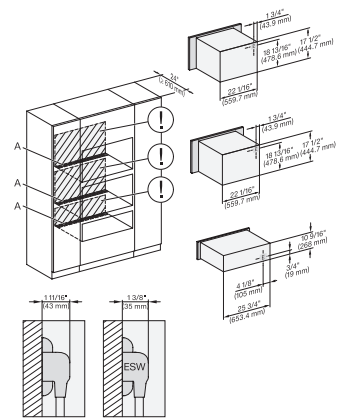
H 6x00 BM + EBA 6808, ESW 6x80, H7x40BM+EBA7848, ESW7x80, Installation Combi, Installation drawing, Proud, NA

A – Cut-out (4" x 28" / 100 mm x 720 mm) in the bottom of the cabinet for power cord and ventilation, – Electrical and water supplies are recommended to be placed in adjacent cabinetry, Additional cabinet depth is required when placing the electrical and water supplies behind the appliance., E = Electric connection



H 6x70 BM, H 6x00 BM + EBA 6808, ESW 6x80, H7x0BM(+EBA7848) ESW7x80, Installation Combi, Installation drawing, Proud, NA

A – Cut-out (4" x 28" / 100 mm x 720 mm) in the bottom of the cabinet for power cord and ventilation, – Electrical and water supplies are recommended to be placed in adjacent cabinetry, Additional cabinet depth is required when placing the electrical and water supplies behind the appliance., E = Electric connection

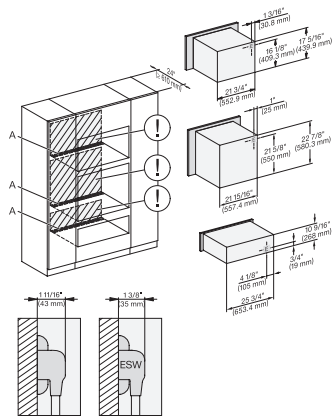


H 6x70 BM, ESW 6x80, H7x70BM, ESW7x80, Installation Combi, Installation drawing, Proud, NA

A – Cut-out (4" x 28" / 100 mm x 720 mm) in the bottom of the cabinet for power cord and ventilation, – Electrical and water supplies are recommended to be placed in adjacent cabinetry, Additional cabinet depth is required when placing the electrical and water supplies behind the appliance., E = Electric connection

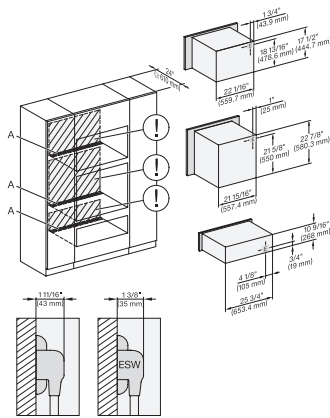
ESW 7680

Handleless Gourmet warming drawer, 30-¹/₁₆" width and 10 ¹³/₁₆" height for preheating dishware, keeping food warm, and Slow Roasting.



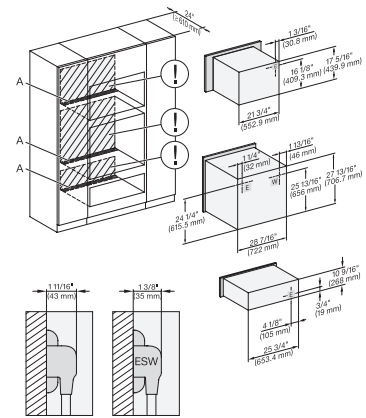
H6560B + EBA6808, H6x60BP + EBA6808, H6x00BM + EBA6808, ESW6x80, NA7000, Installation Combi, Installation drawing, Proud

A – Cut-out (4" x 28" / 100 mm x 720 mm) in the bottom of the cabinet for power cord and ventilation, – Electrical and water supplies are recommended to be placed in adjacent cabinetry, Additional cabinet depth is required when placing the electrical and water supplies behind the appliance, E = Electric connection



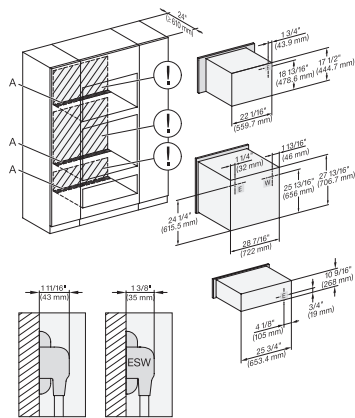
H 6560 B + EBA 6808, H 6x60 BP + EBA 6808, H6x70BM, ESW6x80, NA7000, Installation Combi, Installation drawing, Proud, NA

A – Cut-out (4" x 28" / 100 mm x 720 mm) in the bottom of the cabinet for power cord and ventilation, – Electrical and water supplies are recommended to be placed in adjacent cabinetry, Additional cabinet depth is required when placing the electrical and water supplies behind the appliance, E = Electric connection



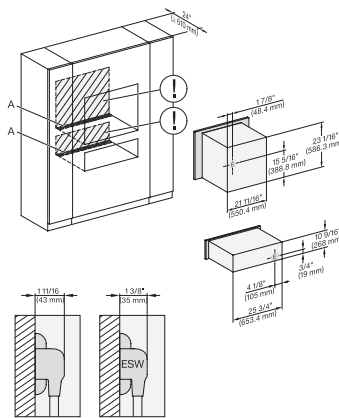
H 6x80 BP, H 6x00 BM + EBA 6808, ESW 6x80, H 6x80-2BP, NA7000 Installation Combi, Installation drawing, Proud, NA

A – Cut-out (4" x 28" / 100 mm x 720 mm) in the bottom of the cabinet for power cord and ventilation, – Electrical and water supplies are recommended to be placed in adjacent cabinetry, Additional cabinet depth is required when placing the electrical and water supplies behind the appliance, E = Electric connection



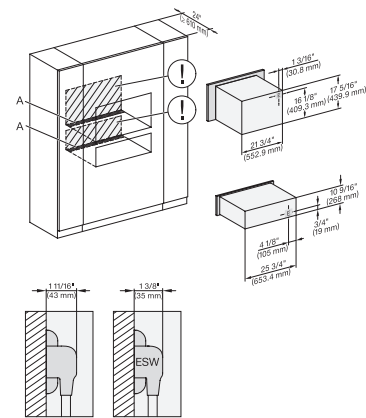
H 6x80 BP, H 6x70 BM, ESW 6x80, H 6x80-2BP, NA7000, Installation Combi, Installation drawing, Proud, NA

A – Cut-out (4" x 28" / 100 mm x 720 mm) in the bottom of the cabinet for power cord and ventilation, – Electrical and water supplies are recommended to be placed in adjacent cabinetry, Additional cabinet depth is required when placing the electrical and water supplies behind the appliance, E = Electric connection



DGC 6x6x (AM) + EBA 6808, ESW 6x80, Installation Combi wide front, Installation drawing, Proud, NA

A – Cut-out (4" x 28" / 100 mm x 720 mm) in the bottom of the cabinet for power cord and ventilation, – Electrical and water supplies are recommended to be placed in adjacent cabinetry, Additional cabinet depth is required when placing the electrical and water supplies behind the appliance, E = Electric connection

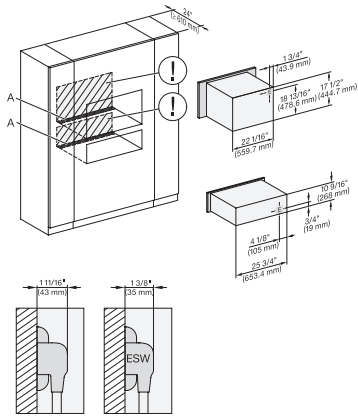


H6x00BM + EBA6808, ESW6x80, H7x40BM + EBA7848, ESW7x80, Installation Combi wide front, Installation drawing, Proud, NA

A – Cut-out (4" x 28" / 100 mm x 720 mm) in the bottom of the cabinet for power cord and ventilation, – Electrical and water supplies are recommended to be placed in adjacent cabinetry, Additional cabinet depth is required when placing the electrical and water supplies behind the appliance, E = Electric connection

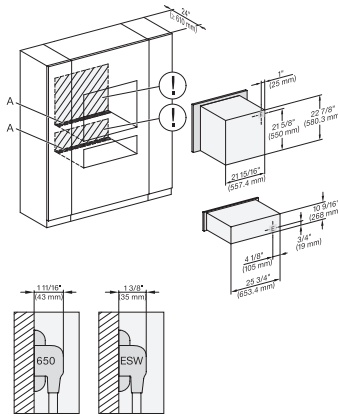
ESW 7680

Handleless Gourmet warming drawer, 30-" width and 10 13/16" height for preheating dishware, keeping food warm, and Slow Roasting.



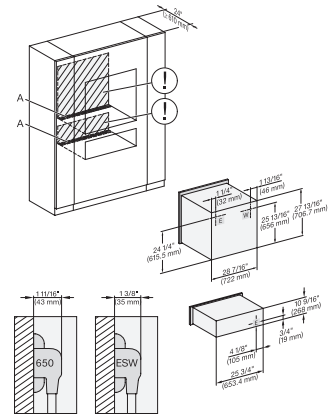
H 6x70 BM, ESW 6x80, H7x70BM, ESW7x80, Installation Combi wide front, Installation drawing, Proud, NA

A – Cut-out (4" x 28" / 100 mm x 720 mm) in the bottom of the cabinet for power cord and ventilation, – Electrical and water supplies are recommended to be placed in adjacent cabinetry, Additional cabinet depth is required when placing the electrical and water supplies behind the appliance, E = Electric connection



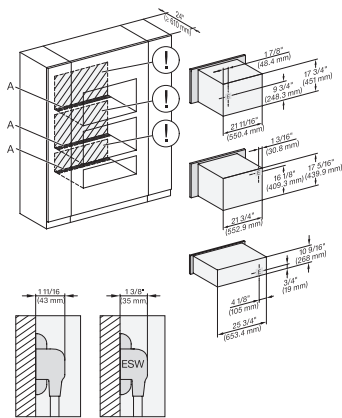
H6560B + EBA6808, H 6x60 BP + EBA 6808, ESW 6x80, NA7000, Installation Combi wide front, Installation drawing, Proud, NA

A – Cut-out (4" x 28" / 100 mm x 720 mm) in the bottom of the cabinet for power cord and ventilation, – Electrical and water supplies are recommended to be placed in adjacent cabinetry, Additional cabinet depth is required when placing the electrical and water supplies behind the appliance, E = Electric connection



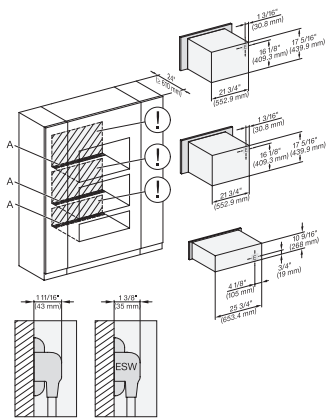
H 6x80 BP, ESW 6x80, H 6x80-2BP, NA7000, Installation Combi wide front, Installation drawing, Proud, NA

A – Cut-out (4" x 28" / 100 mm x 720 mm) in the bottom of the cabinet for power cord and ventilation, – Electrical and water supplies are recommended to be placed in adjacent cabinetry, Additional cabinet depth is required when placing the electrical and water supplies behind the appliance, E = Electric connection



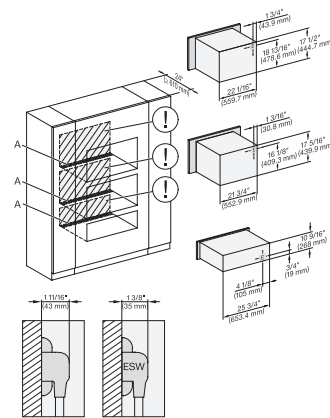
DGC 6x00-1 + EBA 6808, H 6x00 BM + EBA 6808, ESW 6x80, Installation Combi wide front, Installation drawing, Proud, NA

A – Cut-out (4" x 28" / 100 mm x 720 mm) in the bottom of the cabinet for power cord and ventilation, – Electrical and water supplies are recommended to be placed in adjacent cabinetry, Additional cabinet depth is required when placing the electrical and water supplies behind the appliance, E = Electric connection



H 6x00 BM + EBA 6808, ESW 6x80, H7x40+EBA7848, ESW7x80, Installation Combi wide front, Installation drawing, Proud, NA

A – Cut-out (4" x 28" / 100 mm x 720 mm) in the bottom of the cabinet for power cord and ventilation, – Electrical and water supplies are recommended to be placed in adjacent cabinetry, Additional cabinet depth is required when placing the electrical and water supplies behind the appliance, E = Electric connection

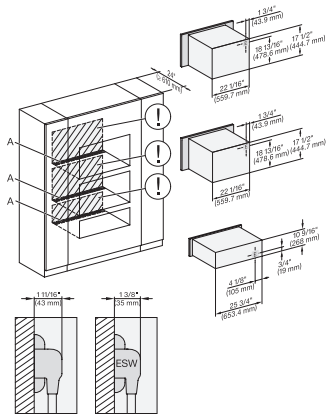


H 6x70 BM, H 6x00 BM + EBA 6808, ESW 6x80, NA7000, Installation Combi wide front, Installation drawing, Proud, NA

A – Cut-out (4" x 28" / 100 mm x 720 mm) in the bottom of the cabinet for power cord and ventilation, – Electrical and water supplies are recommended to be placed in adjacent cabinetry, Additional cabinet depth is required when placing the electrical and water supplies behind the appliance, E = Electric connection

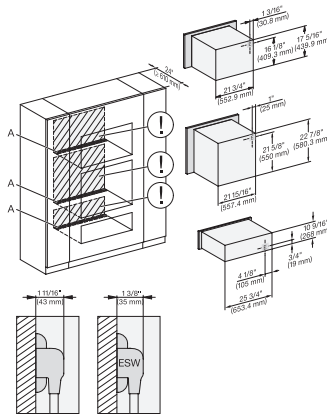
ESW 7680

Handleless Gourmet warming drawer, 30"- width and 10 13/16" height for preheating dishware, keeping food warm, and Slow Roasting.



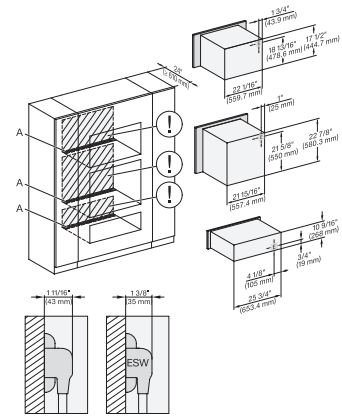
H 6x70 BM, ESW 6x80, H7x70BM, ESW7x80, Installation Combi wide front, Installation drawing, Proud, NA

A – Cut-out (4" x 28" / 100 mm x 720 mm) in the bottom of the cabinet for power cord and ventilation, – Electrical and water supplies are recommended to be placed in adjacent cabinetry, Additional cabinet depth is required when placing the electrical and water supplies behind the appliance., E = Electric connection



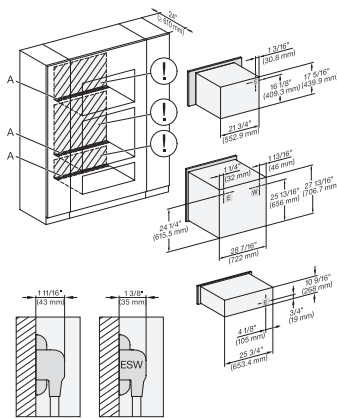
(H 6560 B, H 6x60 BP, H6x00BM) + EBA6808, ESW6x80, NA7000 Installation Combi wide front, Installation drawing, Proud, NA

A – Cut-out (4" x 28" / 100 mm x 720 mm) in the bottom of the cabinet for power cord and ventilation, – Electrical and water supplies are recommended to be placed in adjacent cabinetry, Additional cabinet depth is required when placing the electrical and water supplies behind the appliance., E = Electric connection



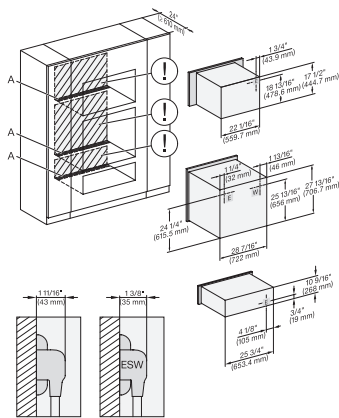
(H6560B, H6x60BP) + EBA6808, H6x70BM, ESW6x80, NA7000, Installation Combi wide front, Installation drawing, Proud, NA

A – Cut-out (4" x 28" / 100 mm x 720 mm) in the bottom of the cabinet for power cord and ventilation, – Electrical and water supplies are recommended to be placed in adjacent cabinetry, Additional cabinet depth is required when placing the electrical and water supplies behind the appliance., E = Electric connection



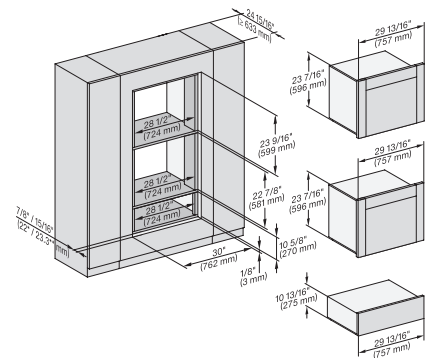
H6x80BP, H6x00BM + EBA6808, ESW6x80, H 6x80-2BP, NA7000, Installation Combi wide front, Installation drawing, Proud, NA

A – Cut-out (4" x 28" / 100 mm x 720 mm) in the bottom of the cabinet for power cord and ventilation, – Electrical and water supplies are recommended to be placed in adjacent cabinetry, Additional cabinet depth is required when placing the electrical and water supplies behind the appliance., E = Electric connection



H 6x80 BP, H 6x70 BM, ESW 6x80, H 6x80-2BP, NA7000, Installation Combi wide front, Installation drawing, Proud, NA

A – Cut-out (4" x 28" / 100 mm x 720 mm) in the bottom of the cabinet for power cord and ventilation, – Electrical and water supplies are recommended to be placed in adjacent cabinetry, Additional cabinet depth is required when placing the electrical and water supplies behind the appliance., E = Electric connection

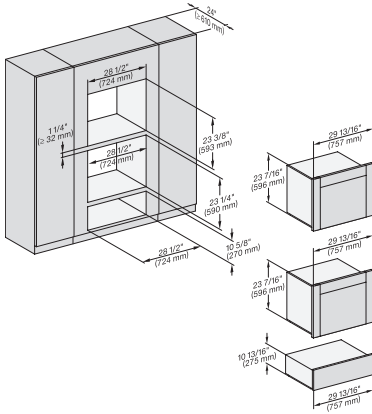


H 6560 B, H 6xx0 BP, DGC 6x0x, ESW 6x80, EBA 6808, DGC786x, EBA 7868, H 7xxxBPm ESW 7x80 Einbau, Skizze, Flush inset, NA

7/8" – 22* mm – Glas, 15/16" – 23.3** mm – Edelstahl

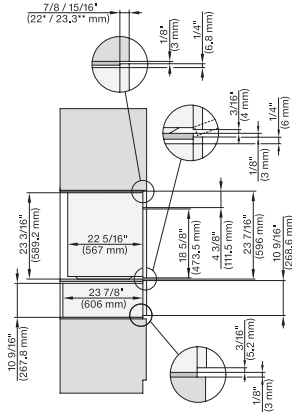
ESW 7680

Handleless Gourmet warming drawer, 30"- width and 10 13/16" height for preheating dishware, keeping food warm, and Slow Roasting.



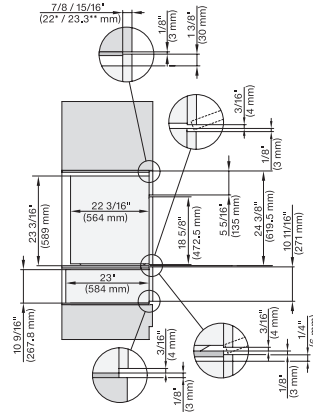
DGC6x6x(AM) + EBA6808, ESW6x80, H6x60 B(P), NA7000, Installation Kombi breite Front, Skizze, Proud, NA

A – Cut-out (4" x 28" / 100 mm x 720 mm) in the bottom of the cabinet for power cord and ventilation, – Electrical and water supplies are recommended to be placed in adjacent cabinetry, Additional cabinet depth is required when placing the electrical and water supplies behind the appliance, E = Electric connection



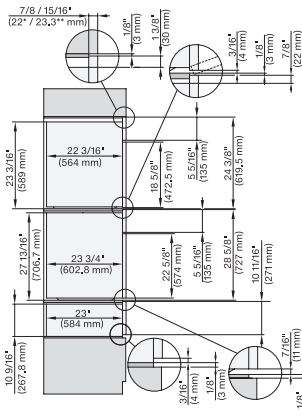
DGC786x+EBA7868, ESW7x80, side view, 30 Zoll, Flush inset, combi, XXL

7/8" – 22" mm – Glass, 15/16" – 23.3** mm – Stainless steel



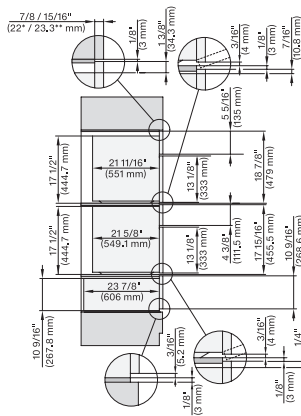
DGC7x8x, ESW7x80, side view, 30 Zoll, Flush inset, combi, XXL

7/8" – 22" mm – Glass, 15/16" – 23.3** mm – Stainless steel, DGC: Minimum installation height 36" – 914 mm from floor to the device installation surface



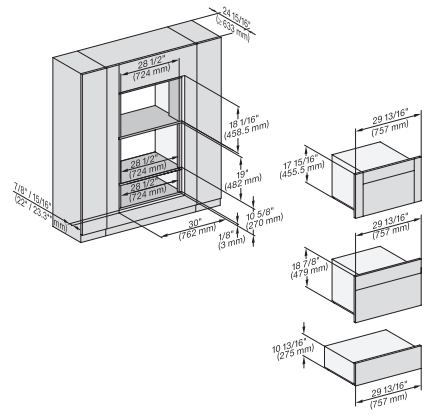
DGC7x8x(X), H2x80BP, H7x8xBP, ESW7x80, side view, 30 Zoll, Flush inset, combi, XXL, 650, ESW30

7/8" – 22" mm – Glass, 15/16" – 23.3** mm – Stainless steel, DGC: Minimum installation height 36" – 914 mm from floor to the device installation surface



DGC7x7x(X), H7x70BM(X), H7x40BM+EBA7848, ESW7x80, side view, 30 Zoll, Flush inset, combi, 450S

7/8" – 22" mm – Glass, 15/16" – 23.3** mm – Stainless steel

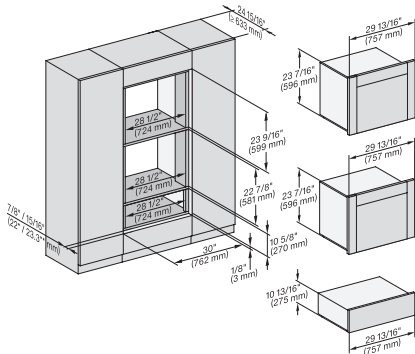


DGC7x4x+EBA7848, H7x70BM(X), ESW7x80, Einbau, 30 Zoll, Flush inset, combi, XL

7/8" – 22" mm – Glass, 15/16" – 23.3** mm – Stainless steel

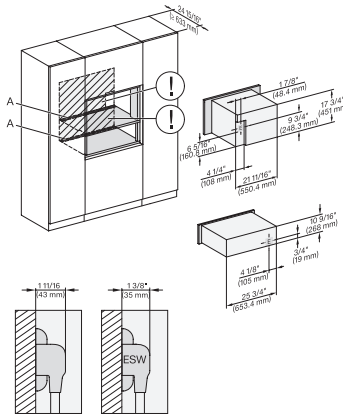
ESW 7680

Handleless Gourmet warming drawer, 30"- width and 10 13/16" height for preheating dishware, keeping food warm, and Slow Roasting.



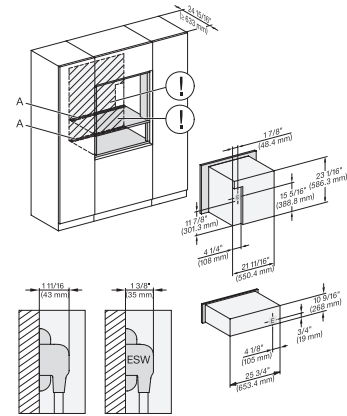
DGC786x+EBA7868, H7x6xBP+EBA7848, ESW7x80, Einbau, 30 Zoll, Flush inset, combi, XXL, 650S

7/8" – 22* mm – Glass, 15/16" – 23.3** mm – Stainless steel



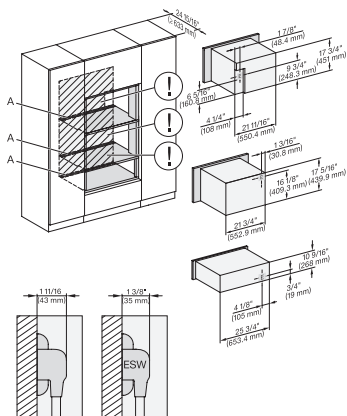
DGC7x4+EBA7848, ESW7x80, Installation, 30 Zoll, Flush inset, combi, XL

A – Cut-out (4" x 28" / 100 mm x 720 mm) in the bottom of the cabinet for power cord and ventilation, – Electrical and water supplies are recommended to be placed in adjacent cabinetry, Additional cabinet depth is required when placing the electrical and water supplies behind the appliance., E = Electric connection



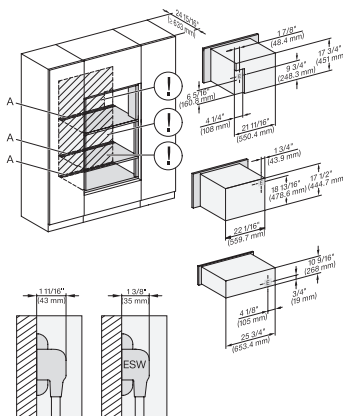
DGC786x+EBA7868, ESW7x80, Installation, 30 Zoll, Flush inset, combi, XXL

A – Cut-out (4" x 28" / 100 mm x 720 mm) in the bottom of the cabinet for power cord and ventilation, – Electrical and water supplies are recommended to be placed in adjacent cabinetry., Additional cabinet depth is required when placing the electrical and water supplies behind the appliance., E = Electric connection



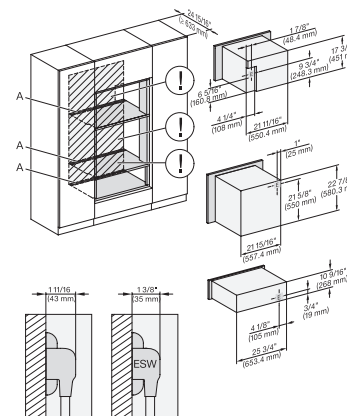
DGC7x4+EBA7848, H7x40BM+EBA7848, ESW7x80, Installation, 30 Zoll, Flush inset, combi, XL, 450S

A – Cut-out (4" x 28" / 100 mm x 720 mm) in the bottom of the cabinet for power cord and ventilation, – Electrical and water supplies are recommended to be placed in adjacent cabinetry., Additional cabinet depth is required when placing the electrical and water supplies behind the appliance., E = Electric connection



DGC7x4+EBA7848, H7x70BM(X), ESW7x80, Installation, 30 Zoll, Flush inset, combi, XL

A – Cut-out (4" x 28" / 100 mm x 720 mm) in the bottom of the cabinet for power cord and ventilation, – Electrical and water supplies are recommended to be placed in adjacent cabinetry., Additional cabinet depth is required when placing the electrical and water supplies behind the appliance., E = Electric connection

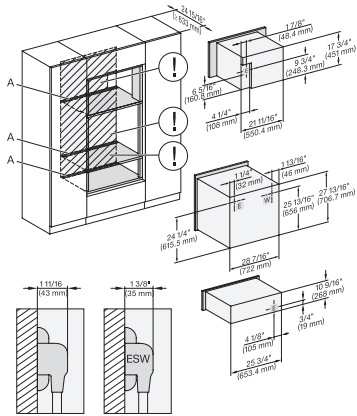


DGC7x4+EBA7848, H7x6xBP+EBA7848, ESW7x80, Installation, 30 Zoll, Flush inset, combi, XL

A – Cut-out (4" x 28" / 100 mm x 720 mm) in the bottom of the cabinet for power cord and ventilation, – Electrical and water supplies are recommended to be placed in adjacent cabinetry., Additional cabinet depth is required when placing the electrical and water supplies behind the appliance., E = Electric connection

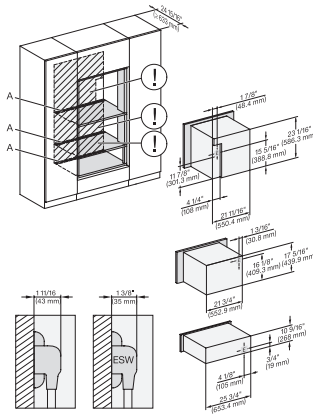
ESW 7680

Handleless Gourmet warming drawer, 30-" width and 10 13/16" height for preheating dishware, keeping food warm, and Slow Roasting.



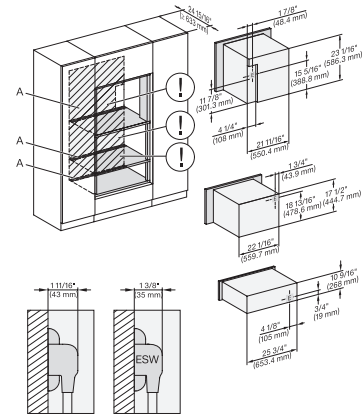
DGC7x4+EBA7848, H280BP, H7x8xBP(X), ESW7x80, Installation, 30 Zoll, Flush inset, combi, XL, 650

A – Cut-out (4" x 28" / 100 mm x 720 mm) in the bottom of the cabinet for power cord and ventilation, – Electrical and water supplies are recommended to be placed in adjacent cabinetry, Additional cabinet depth is required when placing the electrical and water supplies behind the appliance., E = Electric connection



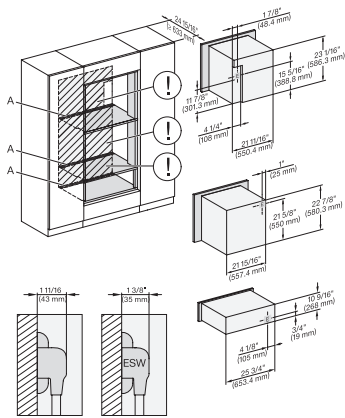
DGC786x+EBA7868, H7x40BM+EBA7848, ESW7x80, Installation, 30 Zoll, Flush inset, combi, XXL, 450S

A – Cut-out (4" x 28" / 100 mm x 720 mm) in the bottom of the cabinet for power cord and ventilation, – Electrical and water supplies are recommended to be placed in adjacent cabinetry, Additional cabinet depth is required when placing the electrical and water supplies behind the appliance., E = Electric connection



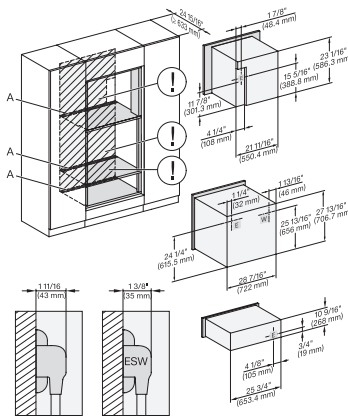
DGC786x+EBA7868, H7x70BM(X), ESW7x80, Installation, 30 Zoll, Flush inset, combi, XXL

A – Cut-out (4" x 28" / 100 mm x 720 mm) in the bottom of the cabinet for power cord and ventilation, – Electrical and water supplies are recommended to be placed in adjacent cabinetry, Additional cabinet depth is required when placing the electrical and water supplies behind the appliance., E = Electric connection



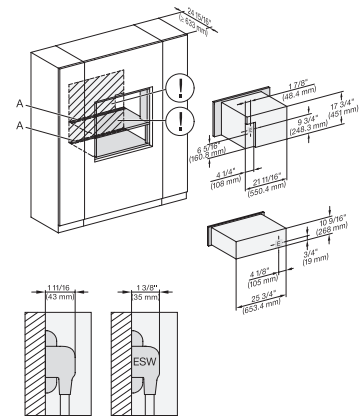
DGC786x+EBA7868, H7x6xBP+EBA7848, ESW7x80, Installation, 30 Zoll, Flush inset, combi, XXL, 650S

A – Cut-out (4" x 28" / 100 mm x 720 mm) in the bottom of the cabinet for power cord and ventilation, – Electrical and water supplies are recommended to be placed in adjacent cabinetry, Additional cabinet depth is required when placing the electrical and water supplies behind the appliance., E = Electric connection



DGC786x+EBA7868, H7x80BP(X), ESW7x80, Installation, 30 Zoll, Flush inset, combi, XXL, 650

A – Cut-out (4" x 28" / 100 mm x 720 mm) in the bottom of the cabinet for power cord and ventilation, – Electrical and water supplies are recommended to be placed in adjacent cabinetry, Additional cabinet depth is required when placing the electrical and water supplies behind the appliance., E = Electric connection

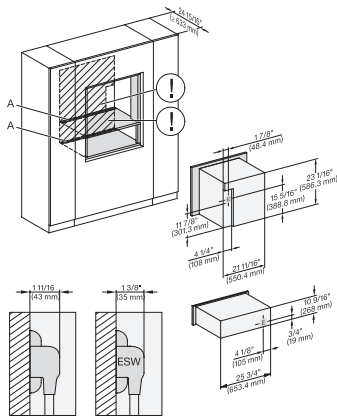


DGC7x4+EBA7848, ESW7x80, Installation, 30 Zoll, Flush inset, combi, wide front, XL

A – Cut-out (4" x 28" / 100 mm x 720 mm) in the bottom of the cabinet for power cord and ventilation, – Electrical and water supplies are recommended to be placed in adjacent cabinetry, Additional cabinet depth is required when placing the electrical and water supplies behind the appliance., E = Electric connection

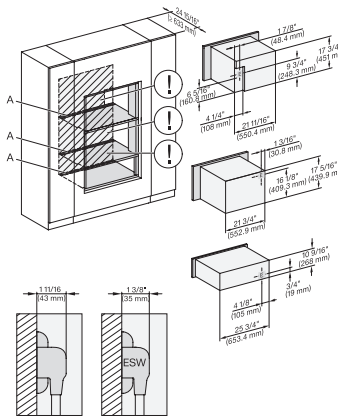
ESW 7680

Handleless Gourmet warming drawer, 30-" width and 10 13/16" height for preheating dishware, keeping food warm, and Slow Roasting.



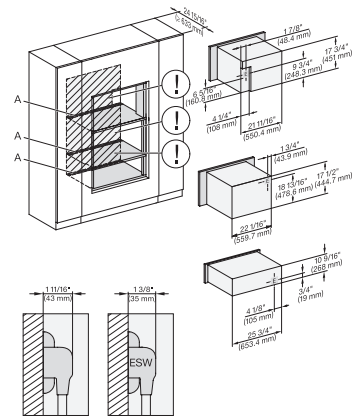
DGC786x+EBA7868, ESW7x80, Installation, 30 Zoll, Flush inset, combi, wide front, XXL

A – Cut-out (4" x 28" / 100 mm x 720 mm) in the bottom of the cabinet for power cord and ventilation, – Electrical and water supplies are recommended to be placed in adjacent cabinetry, Additional cabinet depth is required when placing the electrical and water supplies behind the appliance., E = Electric connection



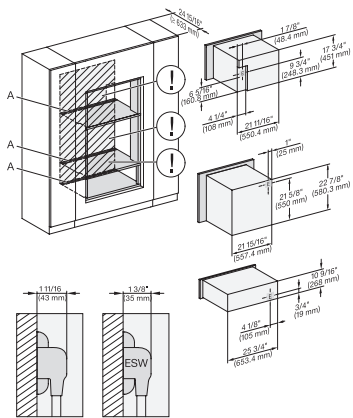
DGC7x4+EBA7848, H7x40BM+EBA7848, ESW7x80, Installation, 30 Zoll, Flush inset, combi, wide front, XL, 450S

A – Cut-out (4" x 28" / 100 mm x 720 mm) in the bottom of the cabinet for power cord and ventilation, – Electrical and water supplies are recommended to be placed in adjacent cabinetry, Additional cabinet depth is required when placing the electrical and water supplies behind the appliance., E = Electric connection



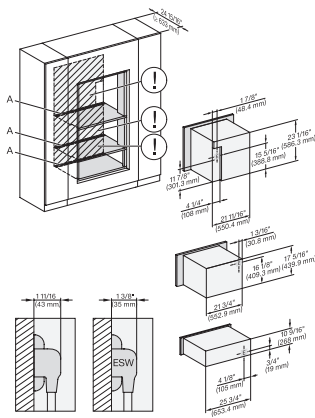
DGC7x4+EBA7848, H7x70BM, ESW7x80, Installation, 30 Zoll, Flush inset, combi, wide front, XL

A – Cut-out (4" x 28" / 100 mm x 720 mm) in the bottom of the cabinet for power cord and ventilation, – Electrical and water supplies are recommended to be placed in adjacent cabinetry, Additional cabinet depth is required when placing the electrical and water supplies behind the appliance., E = Electric connection



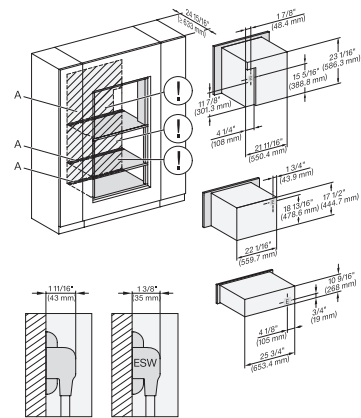
DGC7x4+EBA7848, H7x6+EBA7868, ESW7x80, Installation, 30 Zoll, Flush inset, combi, wide front, XL, 650S

A – Cut-out (4" x 28" / 100 mm x 720 mm) in the bottom of the cabinet for power cord and ventilation, – Electrical and water supplies are recommended to be placed in adjacent cabinetry, Additional cabinet depth is required when placing the electrical and water supplies behind the appliance., E = Electric connection



DGC786x+EBA7868, H7x40BM+EBA7848, ESW7x80, Installation, 30 Zoll, Flush inset, combi, wide front, XXL, 450S

A – Cut-out (4" x 28" / 100 mm x 720 mm) in the bottom of the cabinet for power cord and ventilation, – Electrical and water supplies are recommended to be placed in adjacent cabinetry, Additional cabinet depth is required when placing the electrical and water supplies behind the appliance., E = Electric connection

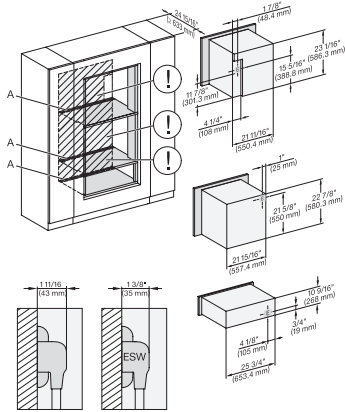


DGC786x+EBA7868, H7x70BM(x), ESW7x80, Installation, 30 Zoll, Flush inset, combi, wide front, XXL

A – Cut-out (4" x 28" / 100 mm x 720 mm) in the bottom of the cabinet for power cord and ventilation, – Electrical and water supplies are recommended to be placed in adjacent cabinetry, Additional cabinet depth is required when placing the electrical and water supplies behind the appliance., E = Electric connection

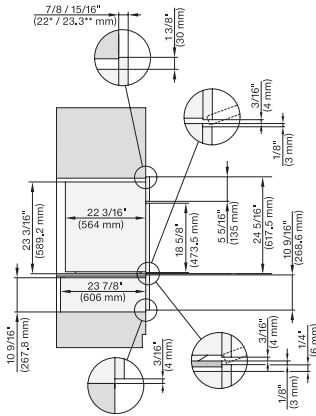
ESW 7680

Handleless Gourmet warming drawer, 30"- width and 10 13/16" height for preheating dishware, keeping food warm, and Slow Roasting.



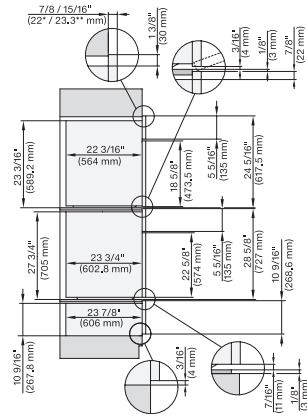
DGC786x+EBA7868, H7x6x+EBA7868, ESW7x80, Installation, 30 Zoll, Flush inset, combi, wide front, XXL, 650S

A – Cut-out (4" x 28" / 100 mm x 720 mm) in the bottom of the cabinet for power cord and ventilation, – Electrical and water supplies are recommended to be placed in adjacent cabinetry, Additional cabinet depth is required when placing the electrical and water supplies behind the appliance, E = Electric connection



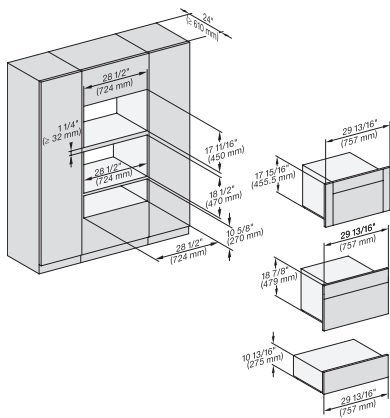
DGC7x8x, ESW7x80, side view, 30 Zoll, Proud, combi, XXL

7/8" – 22* mm – Glass, 15/16" – 23.3** mm – Stainless steel, DGC: Minimum installation height 36" – 914 mm from floor to the device installation surface,



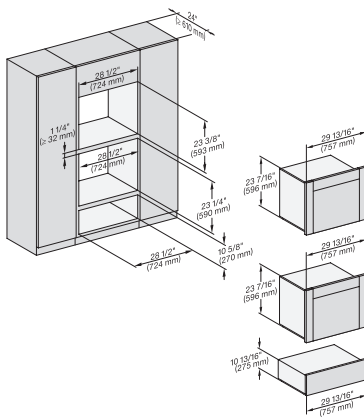
DGC7x8x(X), H2x80BP, H7x8xBP(X), ESW7x80, side view, 30 Zoll, Proud, combi, XXL, 650

7/8" – 22* mm – Glass, 15/16" – 23.3** mm – Stainless steel, DGC: Minimum installation height 36" – 914 mm from floor to the device installation surface



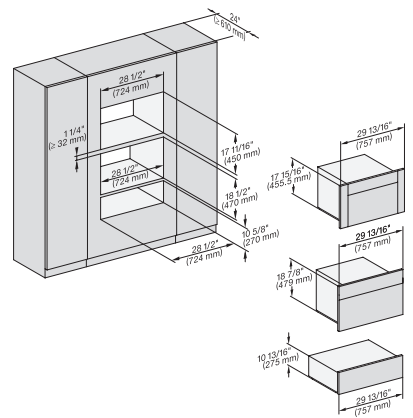
DGC7x4+EBA7848, H7x70BM, ESW7x80, Einbau, 30 Zoll, Proud, combi, XL

7/8" – 22* mm – Glass, 15/16" – 23.3** mm – Stainless steel



DGC786x+EBA7868, H7x6x+EBA7868, ESW7x80, Einbau, 30 Zoll, Proud, combi, XXL, 650S

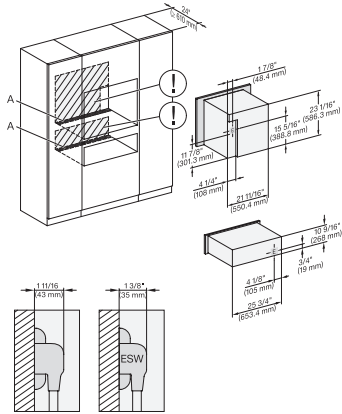
7/8" – 22* mm – Glass, 15/16" – 23.3** mm – Stainless steel



DGC7x4+EBA7848, H7x70BM(X), ESW7x80, Einbau, 30 Zoll, Proud, combi, wide front, XL

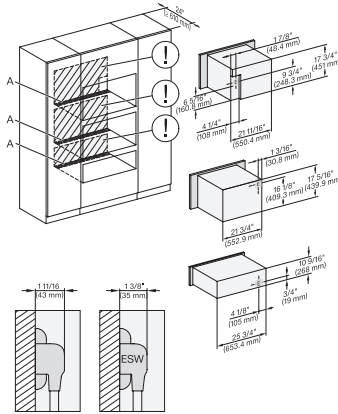
ESW 7680

Handleless Gourmet warming drawer, 30"- width and 10 13/16" height for preheating dishware, keeping food warm, and Slow Roasting.



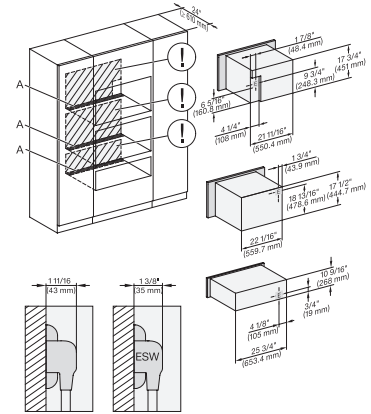
DGC786x+EBA7868, ESW7x80, Installation, 30 Zoll, Proud, combi, XXL

A – Cut-out (4" x 28" / 100 mm x 720 mm) in the bottom of the cabinet for power cord and ventilation, – Electrical and water supplies are recommended to be placed in adjacent cabinetry, Additional cabinet depth is required when placing the electrical and water supplies behind the appliance., E = Electric connection



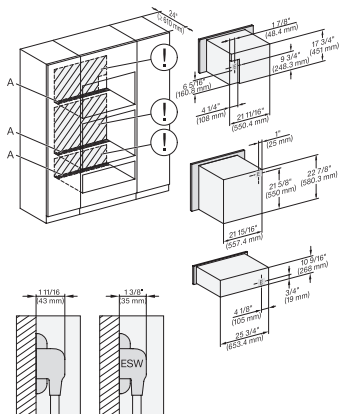
DGC7x4x+EBA7848, H7x40BM+7808, ESW7x80, Installation, 30 Zoll, Proud, combi, XL, 450S

A – Cut-out (4" x 28" / 100 mm x 720 mm) in the bottom of the cabinet for power cord and ventilation, – Electrical and water supplies are recommended to be placed in adjacent cabinetry, Additional cabinet depth is required when placing the electrical and water supplies behind the appliance., E = Electric connection



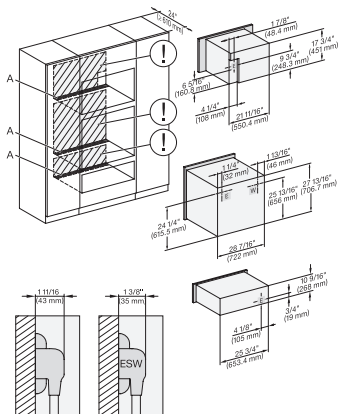
DGC7x4x+EBA7848, H7x70BM(X), ESW7x80, Installation, 30 Zoll, Proud, combi, XL

A – Cut-out (4" x 28" / 100 mm x 720 mm) in the bottom of the cabinet for power cord and ventilation, – Electrical and water supplies are recommended to be placed in adjacent cabinetry, Additional cabinet depth is required when placing the electrical and water supplies behind the appliance., E = Electric connection



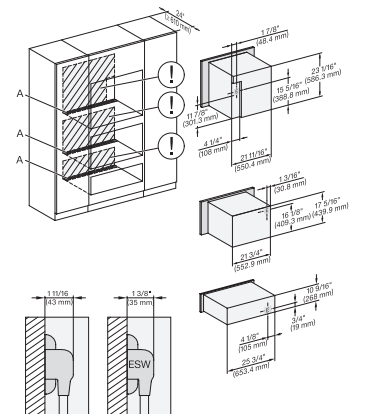
DGC7x4x+EBA7848,, H7x6xBP+EBA7848, ESW7x80, Installation, 30 Zoll, Proud, combi, XL, 650S

A – Cut-out (4" x 28" / 100 mm x 720 mm) in the bottom of the cabinet for power cord and ventilation, – Electrical and water supplies are recommended to be placed in adjacent cabinetry, Additional cabinet depth is required when placing the electrical and water supplies behind the appliance., E = Electric connection



DGC7x4x+EBA7848, H2880BP, H7x6xBP(X), ESW7x80, Installation, 30 Zoll, Proud, combi, XL, 650

A – Cut-out (4" x 28" / 100 mm x 720 mm) in the bottom of the cabinet for power cord and ventilation, – Electrical and water supplies are recommended to be placed in adjacent cabinetry, Additional cabinet depth is required when placing the electrical and water supplies behind the appliance., E = Electric connection

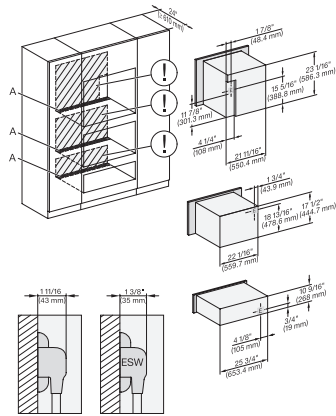


DGC786x+EBA7868, H7x40BM+EBA7848, ESW7x80, Installation, 30 Zoll, Proud, combi, XXL, 450S

A – Cut-out (4" x 28" / 100 mm x 720 mm) in the bottom of the cabinet for power cord and ventilation, – Electrical and water supplies are recommended to be placed in adjacent cabinetry, Additional cabinet depth is required when placing the electrical and water supplies behind the appliance., E = Electric connection

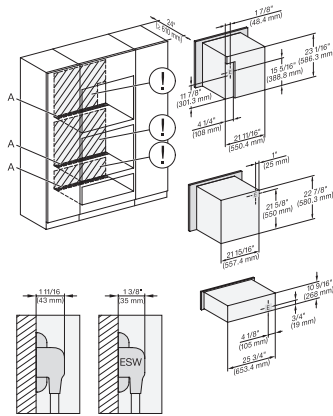
ESW 7680

Handleless Gourmet warming drawer, 30-" width and 10 13/16" height for preheating dishware, keeping food warm, and Slow Roasting.



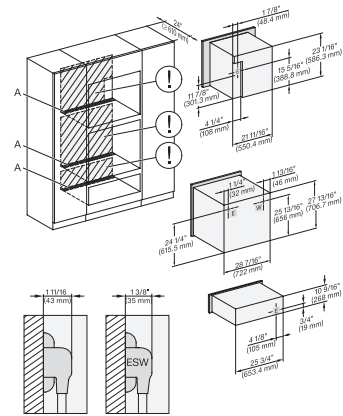
DGC786x+EBA7868, H7x70BM(X), ESW7x80, Installation, 30 Zoll, Proud, combi, XXL

A – Cut-out (4" x 28" / 100 mm x 720 mm) in the bottom of the cabinet for power cord and ventilation, – Electrical and water supplies are recommended to be placed in adjacent cabinetry, Additional cabinet depth is required when placing the electrical and water supplies behind the appliance., E = Electric connection



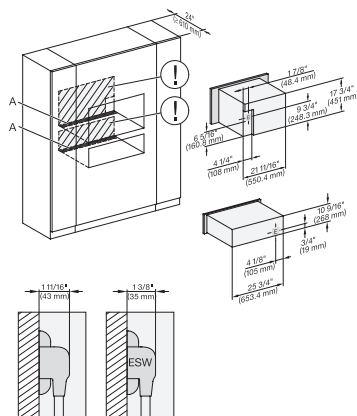
DGC786x+EBA7868, H7x6xBP+EBA7848, ESW7x80, Installation, 30 Zoll, Proud, combi, 650S

A – Cut-out (4" x 28" / 100 mm x 720 mm) in the bottom of the cabinet for power cord and ventilation, – Electrical and water supplies are recommended to be placed in adjacent cabinetry, Additional cabinet depth is required when placing the electrical and water supplies behind the appliance., E = Electric connection



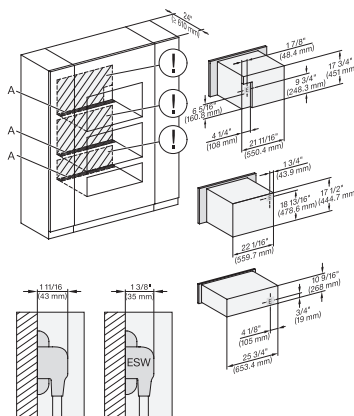
DGC786x+EBA7868, H7x8xBP, ESW7x80, Installation, 30 Zoll, Proud, combi, XXL, 650

A – Cut-out (4" x 28" / 100 mm x 720 mm) in the bottom of the cabinet for power cord and ventilation, – Electrical and water supplies are recommended to be placed in adjacent cabinetry, Additional cabinet depth is required when placing the electrical and water supplies behind the appliance., E = Electric connection



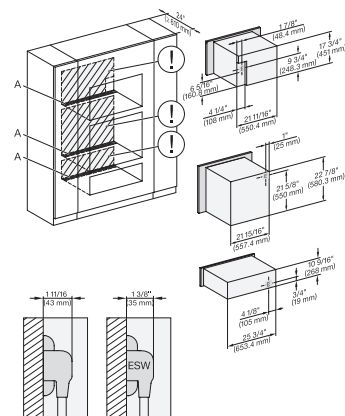
DGC7x4x+EBA7848, ESW7x80, Installation, 30 Zoll, Proud, combi, wide front, XL

A – Cut-out (4" x 28" / 100 mm x 720 mm) in the bottom of the cabinet for power cord and ventilation, – Electrical and water supplies are recommended to be placed in adjacent cabinetry, Additional cabinet depth is required when placing the electrical and water supplies behind the appliance., E = Electric connection



DGC7x4x+EBA7848, H7x70BM(X), ESW7x80, Installation, 30 Zoll, Proud, combi, wide front, XL

A – Cut-out (4" x 28" / 100 mm x 720 mm) in the bottom of the cabinet for power cord and ventilation, – Electrical and water supplies are recommended to be placed in adjacent cabinetry, Additional cabinet depth is required when placing the electrical and water supplies behind the appliance., E = Electric connection

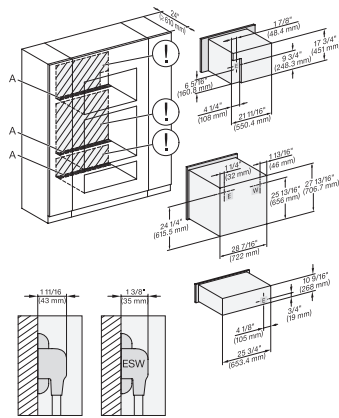


DGC7x4x+EBA7848, H7x6xBP+EBA7848, ESW7x80, Installation, 30 Zoll, Proud, combi, wide front, XL, 650S

A – Cut-out (4" x 28" / 100 mm x 720 mm) in the bottom of the cabinet for power cord and ventilation, – Electrical and water supplies are recommended to be placed in adjacent cabinetry, Additional cabinet depth is required when placing the electrical and water supplies behind the appliance., E = Electric connection

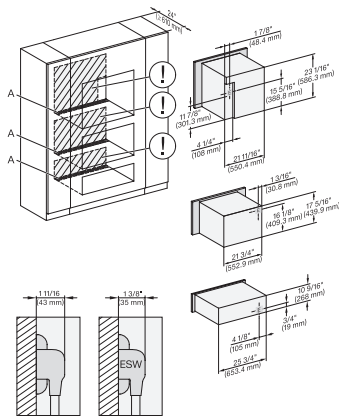
ESW 7680

Handleless Gourmet warming drawer, 30-" width and 10 13/16" height for preheating dishware, keeping food warm, and Slow Roasting.



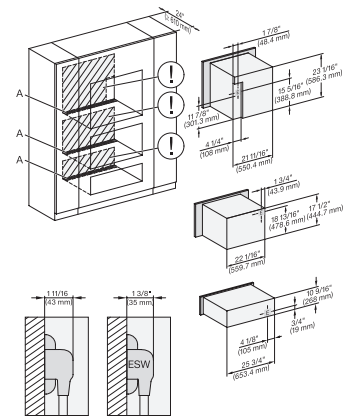
DGC7x4x+EBA7848, H2880BP, H7x8xBP, ESW7x80, Installation, 30 Zoll, Proud, combi, wide front, XL, 650

A – Cut-out (4" x 28" / 100 mm x 720 mm) in the bottom of the cabinet for power cord and ventilation, – Electrical and water supplies are recommended to be placed in adjacent cabinetry, Additional cabinet depth is required when placing the electrical and water supplies behind the appliance., E = Electric connection



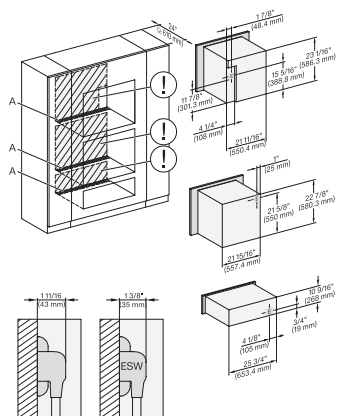
DGC786x+EBA7868, H7x40BM+EBA7848, ESW7x80, Installation, 30 Zoll, Proud, combi, wide front, XXL, 450S

A – Cut-out (4" x 28" / 100 mm x 720 mm) in the bottom of the cabinet for power cord and ventilation, – Electrical and water supplies are recommended to be placed in adjacent cabinetry, Additional cabinet depth is required when placing the electrical and water supplies behind the appliance., E = Electric connection



DGC786x+EBA7868, H7x70BM(X), ESW7x80, Installation, 30 Zoll, Proud, combi, wide front, XXL

A – Cut-out (4" x 28" / 100 mm x 720 mm) in the bottom of the cabinet for power cord and ventilation, – Electrical and water supplies are recommended to be placed in adjacent cabinetry, Additional cabinet depth is required when placing the electrical and water supplies behind the appliance., E = Electric connection



DGC786x+EBA7868, H7x6BP+EBA7848, ESW7x80, Installation, 30 Zoll, Proud, combi, wide front, XXI, 650S

A – Cut-out (4" x 28" / 100 mm x 720 mm) in the bottom of the cabinet for power cord and ventilation, – Electrical and water supplies are recommended to be placed in adjacent cabinetry, Additional cabinet depth is required when placing the electrical and water supplies behind the appliance., E = Electric connection