

# SINGLE WALL OVEN

EW27EW55PS

Featuring Wave-Touch® Electronic Controls



## PRODUCT DIMENSIONS

Height (Including 1" Bottom Trim)	29"
Width	27"
Depth	24-3/4"

## MORE EASY-TO-USE FEATURES

### FRESH CLEAN™ TECHNOLOGY

Exclusive Fresh Clean™ self-cleaning technology virtually eliminates odors and smoke to keep the room smelling fresh.

### SELF-CLEANING PORCELAIN RACKS

Bake, roast, broil, savor — the cleaning's on us. Our porcelain racks are safe to stay inside of the oven during the self-clean cycle, eliminating the mess and inconvenience of removing and cleaning racks by hand.

### LARGE CAPACITY

Coordinate an entire meal — our ovens feature 3.9 cu. ft. of cooking space with three adjustable baking racks.

### FLAT OVEN DOOR DESIGN

Our unique flat oven door is sleekly designed with fewer bumps and ridges — so it not only looks great but is easier to clean.

### LUXURY-GLIDE® OVEN RACK

With a ball bearing system, the oven rack is so smooth they extend effortlessly.

### PERFECT FIT PROMISE

Find the perfect Electrolux wall oven for your space using a convenient online tool.

### FAST PREHEAT

Savor sooner, with Fast Preheat.

### PRECISE BAKING OPTIONS

Includes Perfect Turkey®, Defrost, Dehydrate, Bread Proof, My Favourites, Multi-Stage Cooking, Temperature Probe, Fast Preheat, Delay Bake and Convection Convert.

### PLATINUM STAR® LIMITED WARRANTY

Our exclusive limited warranty that includes a 3-year coverage on parts and one year on labor without charge.<sup>1</sup>

## SIGNATURE FEATURES



### PERFECT TASTE® CONVECTION

For consistently delicious taste and texture, home chefs rely on our convection heat, which circulates air evenly with two variable speeds that work in tandem with three heating elements.



### PERFECT TASTE® TEMP PROBE

The Perfect Taste® Temp Probe does more than measure temperature — it keeps an active eye on your dishes by alerting you when food is at the peak of perfection and automatically adjusting to the Keep Warm setting.



### MULTI-STAGE COOKING

Create great taste with ease. With Multi-Stage Cooking, an Electrolux oven is a built-in sous chef, helping you conquer delicious by adjusting between seven professionally inspired cooking modes, including Bake, Broil, Convection Bake, Convection Roast, Convection Broil, Keep Warm and Slow Cook.



### PERFECT TURKEY®

New and improved Perfect Turkey® button works to precisely time and coordinate three convection modes — bake, broil, and roast — for turkey that is crispy on the outside and juicy on the inside. It even counts down the time remaining, so all dishes can be set to come out at the same time.

Available in:



Stainless  
(S)

<sup>1</sup>Eligibility based on product registration with Electrolux North America within 60 days of purchase. Products must have been purchased on or after July 1, 2013. Coverage includes material parts for 3 years and labour for 1 year.

# SINGLE WALL OVEN

EW27EW55PS



## 27" ELECTRIC SINGLE WALL OVEN

Configuration	Single
---------------	--------

### CONTROL PANEL FEATURES

Wave-Touch® Electronic Oven Controls	Yes
Keypad Entry of Time & Temperature	Yes
Electronic Clock & Timer	Yes
Temperature Display	Yes
Automatic Oven (Delay, Cook & Off)	Yes
Lockout	Yes
Automatic Oven Shutoff – 12 Hour	Yes
Programmable for °F or °C	Yes
Luxury-Design® Halogen Oven Lights/Touch Pad On/Off	Yes

### OVEN FEATURES

Oven Cavity	3.9 Cu. Ft.
Hidden Bake Element	Yes
Electric Bake Element – 2500 Watts	Yes
Six-Pass Broil Element – 3400 Watts	Yes
Convection Element – 2500 Watts	Yes
Cobalt Blue Interior	Yes
Self-Clean Options with Door Lock	3
Fresh Clean™	Yes
Perfect Taste® Convection with Variable 2-Speed Fan	Yes
Cooking Modes – Bake, Broil, Convection Bake, Convection Roast, Convection Broil, Keep Warm, Slow Cook	7
Baking Options – Perfect Turkey®, Defrost, Dehydrate, Bread Proof, My Favourites, Multi-Stage Cooking, Temperature Probe, Fast Preheat, Delay Bake, Convection Convert	10
Luxury-Design® Lighting with Dual 40W and Dual 25W Halogen Bulbs	Yes
Luxury-Glide® Racks	1
Conventional Racks	2
Convection Roasting Rack	Yes

### ADDITIONAL FEATURES

Signature Soft-Arc Handle Design	Yes
Flat Oven Door Design	Yes
Extra-Large Glass Window	Yes
Sabbath Mode (Star-K® Certified)	Yes

### ACCESSORIES

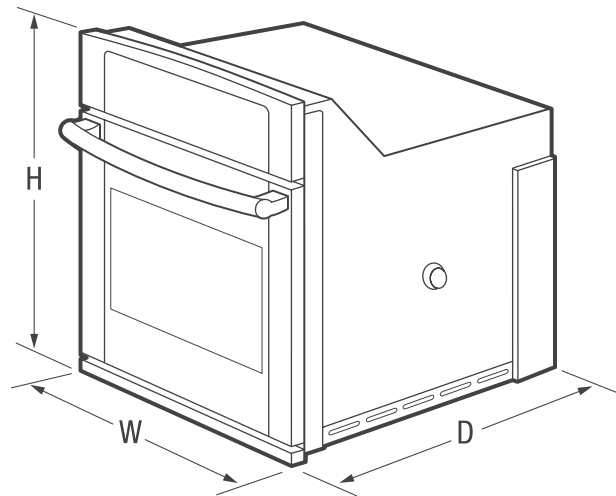
Porcelain Broiler Pan and Insert	Included
3"-High Bottom Trim: S – PN# 903114-9020	Optional
10'-Long Armoured Power Cable – PN# 903056-9010	Optional

### SPECIFICATIONS

Colour – Stainless Steel	S
Power Supply Connection Location	Left Bottom Rear
Connected Load (kW Rating) @ 240/208 Volts	4.0/3.1
Amps @ 240/208 Volts	16.7/14.9
Minimum Circuit Required (Amps)	20
3-1/2'-Long Armoured Electrical Cable	Included
Approved for Under-Counter Installation*	Yes
Shipping Weight (Approx.)	150 Lbs.

\*Single Wall Oven is approved to be used beneath Electrolux gas cooktop models EW30GC60L, EW30GC55G, EW36GC55G, EW30GC55P and EW30GC60P, and electric cooktop models E30EC45K, E36EC45K, EW30IC60L, EW36IC60L, EW30CC55G and EW36CC55G.

NOTE: Always consult local and national electric codes. Refer to Product Installation Guide for detailed installation instructions on the web at [electroluxappliances.ca](http://electroluxappliances.ca).  
Specifications subject to change.



### PRODUCT DIMENSIONS

Height (Including 1" Bottom Trim)	29"
Width	27"
Depth (to Front Door Corner) (with 90° Door Open)	24-3/4" 45-3/4"

### OVEN CAVITY DIMENSIONS

Height	17"
Width	20-1/2"
Depth	19-1/2"

## Electrolux Major Appliances, N.A.

CANADA • 5855 Terry Fox Way • Mississauga, ON L5V 3E4 • 1-800-265-8352 • [electroluxappliances.ca](http://electroluxappliances.ca)

EW27EW55P 09/17

© 2017 Electrolux Major Appliances, NA

Printed in Canada



High standards of quality at Electrolux Home Products, Inc. mean we are constantly working to improve our products. We reserve the right to change specifications or discontinue models without notice.