

MICROWAVE COMBINATION OVEN

EW27MC65PS

Featuring Wave-Touch® Electronic Controls



PRODUCT DIMENSIONS

Height	45-1/4"
Width	27"
Depth	24-1/2"

MORE EASY-TO-USE FEATURES

PERFECT TURKEY®

New and improved Perfect Turkey® button works to precisely time your convection roast for turkey that is perfectly done — crispy on the outside and juicy on the inside. And now, it even counts down the time remaining, so you can prepare your other dishes and have them all ready to serve at the same time, perfectly hot.

FRESH CLEAN™ TECHNOLOGY

Exclusive Fresh Clean self-cleaning technology virtually eliminates odors and smoke to keep the room smelling fresh.

SELF-CLEANING PORCELAIN RACKS

Bake, roast, broil, savor — the cleaning's on us. Our porcelain racks are safe to stay inside of the oven during the self-clean cycle, eliminating the mess and inconvenience of removing and cleaning racks by hand.

EASY-TO-CLEAN INTERIORS

Premium non-stick coating for easy cleanup.

900 WATTS

CERAMIC TURNTABLE

SIX AUTO COOK FEATURES

HIGH AND LOW METAL RACKS

LUXURY-GLIDE® OVEN RACK

With a ball bearing system, the oven rack is so smooth it extends effortlessly.

PLATINUM STAR® LIMITED WARRANTY

Our exclusive limited warranty that includes a 3-year coverage on parts and one year on labor without charge.¹

Available in:



Stainless
(S)

¹Eligibility based on product registration with Electrolux North America within 60 days of purchase. Products must have been purchased on or after July 1, 2013. Coverage includes material parts for 3 years and labor for 1 year.

SIGNATURE FEATURES



PERFECT TASTE™ CONVECTION

For consistently delicious taste and texture, home chefs rely on our convection heat, which circulates air evenly with two variable speeds that work in tandem with three heating elements.



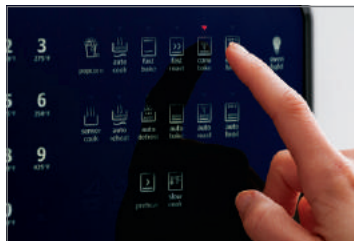
PERFECT TASTE™ TEMP PROBE

The Perfect Taste™ Temp Probe does more than measure temperature — it keeps an active eye on your dishes by alerting you when food is at the peak of perfection and automatically adjusting to the Keep Warm setting.



MULTI-STAGE COOKING

Conveniently program your recipes that require multiple cooking stages for optimally prepared dishes.



WAVE-TOUCH® CONTROLS

One simple touch on your microwave or oven and the control panel activates, showing the virtually endless cooking options. After you make your choices, all but the option selected will fade away, returning to an elegant display.

MICROWAVE COMBINATION OVEN

EW27MC65PS



27" BUILT-IN MICROWAVE COMBINATION OVEN

MICROWAVE FEATURES

Oven Cavity	1.5 Cu. Ft.
Watts	900
Oven Interior	Stainless Steel
Interior Krypton Light	Yes
Porcelain Enamel Turntable	Yes

MICROWAVE CONTROL PANEL FEATURES

Wave-Touch® Electronic Controls	Yes
Electronic Clock & Timer	Yes
Humidity Sensor	Yes
Power Levels	10
Touch Pad Controls	Yes
Auto Defrost Options	6
Auto Cook Options – Pizza, Beverage, Soften/Melt, Snacks, Auto Reheat, Auto Defrost	6
Auto Reheat Options – Fresh Rolls/Muffins, Frozen Rolls/Muffins, Pasta	3
Sensor-Cook Options – Ground Meat, Rice, Fish/Seafood, Frozen Entrees, Chicken Breast, Popcorn, Fresh Veggies, Frozen Veggies, Baked Potato, Reheat	10
Multi-Stage Cooking Options	Yes
Add 30 Seconds	Yes
Adjustable Sound Level for Timers/Reminders	Yes

OVEN FEATURES

Oven Cavity	3.9 Cu. Ft.
Hidden Bake Element	Yes
Electric Bake Element / Convection Element – 1450W / 2500W	Yes
Six-Pass Broil Element – 3400 Watts	Yes
Oven Interior	Cobalt Blue
Self-Clean Options with Door Lock	Yes
Perfect Taste™ Convection	Yes
Cooking Modes – Bake, Broil, Convection Bake, Convection Roast, Convection Broil, Keep Warm, Slow Cook	7
Baking Options – Convection Convert, Defrost, Dehydrate, Delay Bake, Bread Proof, My Favorites, Rapid Preheat, Multi-Stage Cooking, Temperature Probe	9
Luxury-Design® Lighting with Dual 40W and 25W Halogen Bulbs	Yes
Luxury-Glide® Racks / Conventional Racks	1/2
Convection Roasting Rack	1
Flat Oven Door Design	Yes
Sabbath Mode (Star-K® Certified)	Yes

OVEN CONTROL PANEL FEATURES

Wave-Touch® Electronic Oven Control	Yes
Keypad Entry of Time & Temperature	Yes
Electronic Clock, Timer & Temperature Display	Yes
Programmable for °F or °C	Yes
Automatic Oven (Delay, Cook & Off)	Yes
Lockout	Yes
Automatic Oven Shutoff – 12 Hour	Yes
Luxury-Design® Halogen Oven Light Touch Pad	Yes

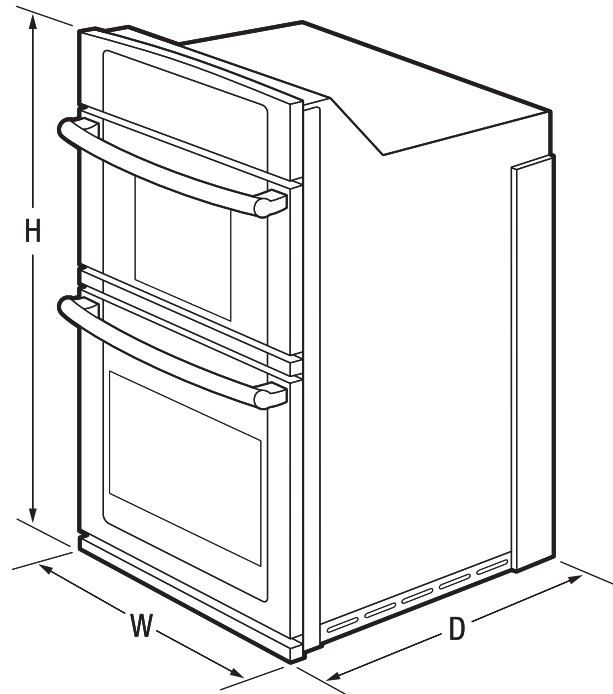
ACCESSORIES

Porcelain Broiler Pan and Insert	Included
3"-High Bottom Trim – PN # 903114-9020	Optional

SPECIFICATIONS

Color – Stainless Steel	S
Power Supply Connection Location	Left Bottom Rear
Connected Load (kW Rating) @ 240 / 208 Volts	7.9/5.9
Amps @ 240 / 208 Volts	32.9/28.4
Minimum Circuit Required (Amps)	40
Shipping Weight (Approx.)	285 Lbs.

NOTE: Always consult local and national electric codes. Refer to Product Installation Guide for detailed installation instructions on the web at electroluxappliances.com. Specifications subject to change.



PRODUCT DIMENSIONS

Height (Including 1" Bottom Trim)	45-1/4"
Width	27"
Depth (to Front Door Corner) (with 90° Door Open)	24-1/2" 45-1/2"

MICROWAVE CAVITY DIMENSIONS

Height	9-5/8"
Width	16-1/8"
Depth	16-1/8"

OVEN CAVITY DIMENSIONS

Height	17"
Width	20-1/2"
Depth	19-1/2"

Electrolux Major Appliances, N.A.

USA 10200 David Taylor Drive Charlotte, NC 28262 1-877-4electrolux (1-877-435-3287) electroluxappliances.com
CANADA 5855 Terry Fox Way Mississauga, ON L5V 3E4 1-800-265-8352 electroluxappliances.ca

EW27MC65P 12/16

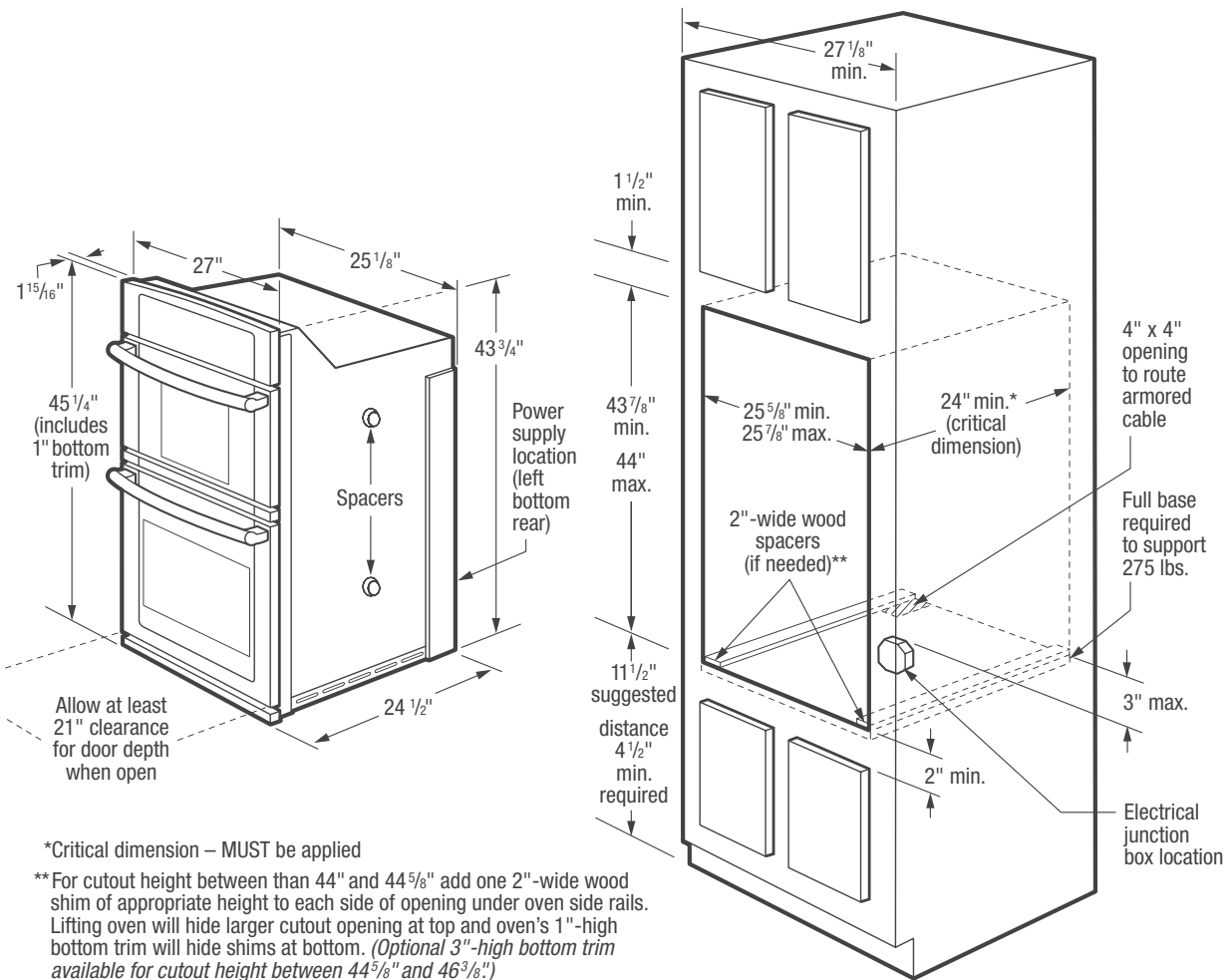
© 2016 Electrolux Home Products, Inc.



High standards of quality at Electrolux Home Products, Inc. mean we are constantly working to improve our products. We reserve the right to change specifications or discontinue models without notice.

MICROWAVE COMBINATION OVEN

EW27MC65PS



27" Microwave Combination Oven Specifications

- Product Weight – 240 Lbs.
- Single phase 3- or 4-wire cable, 120 / 240 or 120 / 208 Volt, 60 Hertz AC only electrical supply with ground required on separate circuit fused on both sides of line.
- Connected Load (kW Rating) @ 240 / 208 Volts = 7.9 / 5.9 kW
- Amps @ 240 / 208 Volts = 32.9 / 28.4 Amps
- Recommended Circuit Breaker – 40 Amps
- Always consult local and national electric codes.
- Minimum 21" clearance for oven door depth when open.
- Suggested distance from floor is 11-1/2". Minimum required distance is 4-1/2".
- To adapt Microwave Combination Oven to fit cutout height between 44" and 44-5/8", add one 2"-wide wood shim of appropriate height to each side of opening under oven side rails. Lifting oven will hide larger cutout opening at top and oven's 1"-high bottom trim will hide shims at bottom. (Standard 1"-High Bottom Trim included.)

- To adapt Microwave Combination Oven to fit cutout height between 44-5/8" and 46-3/8", optional 3"-High Bottom Trim available.
- Minimum 24" deep cutout dimension is critical for proper installation, to ensure that oven's faceplate will fit flush against cabinet front.
- Full oven base of solid plywood or similar material required, capable of supporting 275 Lbs.
- Base must be level and cabinet front must be square.
- Microwave Combination Oven is NOT approved to be used in stackable or side-by-side installation.

Note: For planning purposes only. Refer to Product Installation Guide on the web at electroluxappliances.com for detailed instructions.

Optional Accessories

- 3"-High Bottom Trim: S – (PN # 903114-9020).

Electrolux Major Appliances, N.A.

USA • 10200 David Taylor Drive • Charlotte, NC 28262 • 1-877-4electrolux (1-877-435-3287) • electroluxappliances.com
CANADA • 5855 Terry Fox Way • Mississauga, ON L5V 3E4 • 1-800-265-8352 • electroluxappliances.ca

EW27MC65P 12/16

© 2016 Electrolux Home Products, Inc.



High standards of quality at Electrolux Home Products, Inc. mean we are constantly working to improve our products. We reserve the right to change specifications or discontinue models without notice.