

Built-In Microwave

EW27SO60L S

Featuring Wave-Touch® Electronic Controls



Wave-Touch® Controls

One simple touch and the control panel activates, showing the virtually endless cooking options. After you make your choices, all but the options selected will fade away, returning to an elegant display.



Convection Cooking

Circulates hot air through your microwave to cook foods evenly.



Auto-Cook Functions

Features four Auto-Cook options, one Auto-Reheat option and six Auto-Defrost options for amazing flexibility.



Premium Sensor-Cook Options

Eight Sensor-Cook options available to determine exact cooking time for many commonly prepared dishes.

27" BUILT-IN CONVECTION MICROWAVE

Oven Cavity	1.5 Cu. Ft.
Watts	900
Oven Interior	Stainless Steel
Interior Krypton Light	Yes
Porcelain Enamel Turntable	Cobalt Blue

Control Panel Features

Wave-Touch® Electronic Controls	Yes
Convection Bake	Yes (100°-450° F)
VFD Front Display with Blue Indicators	Yes
Electronic Clock & Timer	Yes
Humidity Sensor	Yes
Power Levels	10
Touch Pad Controls	36
Auto-Defrost Options	6
Auto-Cook Options	4
Auto-Reheat Options	1
Sensor-Cook Options	8
Multi-Stage Cooking Options	4
Shortcut Options	Yes
Add 30 Seconds	Yes
Custom Help Options	Yes
Panel Lock	Yes
Demo Mode	Yes
Adjustable Sound Level For Timers/Reminders	Yes
More/Less Function	Yes
Power Failure Indicator	

Additional Features

Signature Soft-Arc Oven Door and Handle Design	Yes
Adjustable Metal Racks	Yes
Glass Window	Yes

Specifications

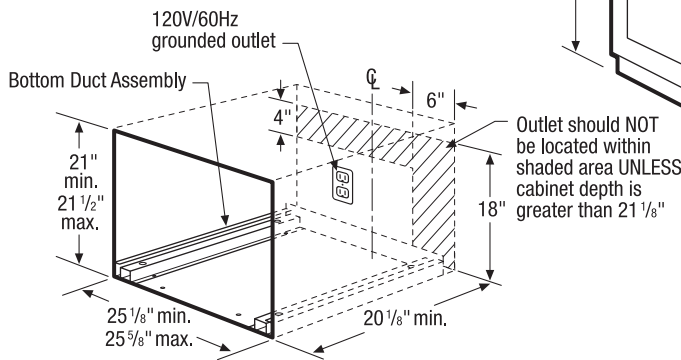
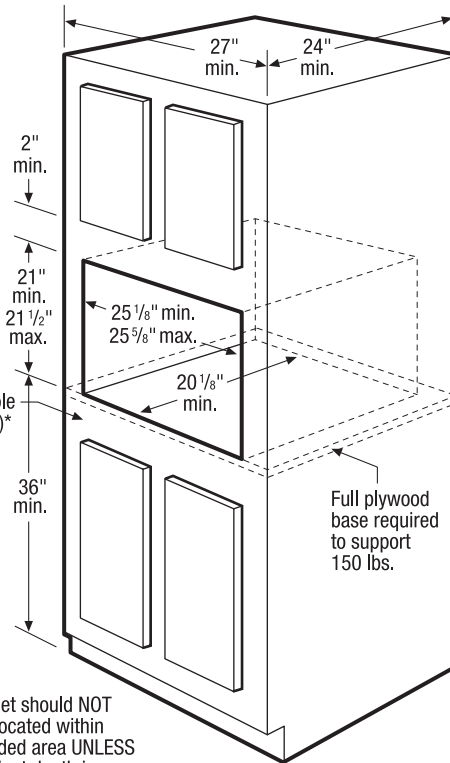
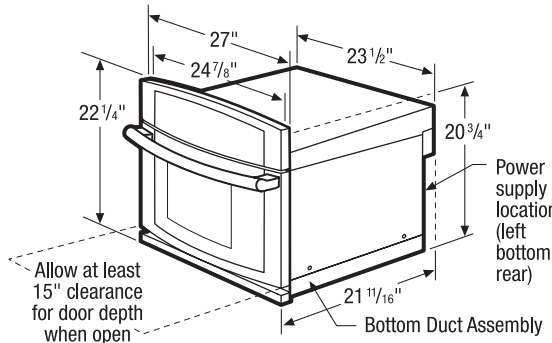
Color –	
Stainless Steel	S
Oven Cavity Dimensions –	
Height	9-5/8"
Width	16-1/8"
Depth	16-1/8"
Product Dimensions –	
Height	22-1/4"
Width	27"
Depth (to Front Door Corner)	21-11/16"
Approved for Under-Counter Installation	No
Approved for Electric Single Oven Combination Installation*	Yes
Power Supply Connection Location	Left Bottom Rear
Voltage Rating	120V/60Hz/15A
Connected Load (kW Rating) @ 120 Volts†	1.6
Amps @ 120 Volts	13.7
60" Electrical Cable	Included
Microwave – Watts @ 120 Volt input	1600
Convection – Watts @ 120 Volt input	1500
Frequency (MHz)	2450
Shipping Weight (Approx.)	84

† For use on adequately wired 120V, dedicated circuit having 2-wire service with a separate ground wire. Appliance must be grounded for safe operation.

* Approved to be used in combination with any Electrolux Electric Single Wall Oven and/or Warmer Drawer.

NOTE: Always consult local and national electric codes. Refer to Product Installation Guide for detailed installation instructions on the web at electroluxappliances.com. Specifications subject to change.

***Note:** When used in combination with another Electrolux built-in product, a minimum clearance of 2 1/8" required from bottom of Built-In Microwave cutout to top edge of companion product's faceplate, leaving a 2" visible gap between both product faceplates.



27" Built-In Microwave Specifications

- Product Weight – 79 Lbs.
- Voltage Rating – 120V/60Hz/15 Amps
- Connected Load (kW Rating) @ 120 Volts = 1.6kW (For use on adequately wired 120V, dedicated circuit having 2-wire service with a separate ground wire. Appliance must be grounded for safe operation.)
- Amps @ 120 Volts = 13.7 Amps
- Always consult local and national electric codes.
- Allow at least 15" clearance for oven door depth when open.
- Minimum required distance from floor is 36".
- Minimum 20-1/8" deep oven cutout dimension is critical for proper installation for oven and faceplate to fit flush against cabinet front.
- Full oven base of solid plywood or similar material required, capable of supporting 150 Lbs.

- Base must be level and cabinet front must be square.
- Grounded outlet should NOT be located in shaded area, as indicated, unless cabinet depth is greater than 21-1/8".
- Built-In Microwave is NOT approved to be used under counter.
- Built-In Microwave can be built in alone or is approved to be used in combination with any Electrolux Electric Single Wall Oven and/or Warmer Drawer. (Refer to model-specific Combination Installation Specification pages on web.)
- When used in combination with another Electrolux built-in product, a minimum clearance of 2-1/8" required from bottom of Built-In Microwave cutout to top edge of companion product's faceplate, leaving a 2" visible gap between both product faceplates.

Note: For planning purposes only. Refer to Product Installation Guide on the web at electroluxappliances.com for detailed instructions.

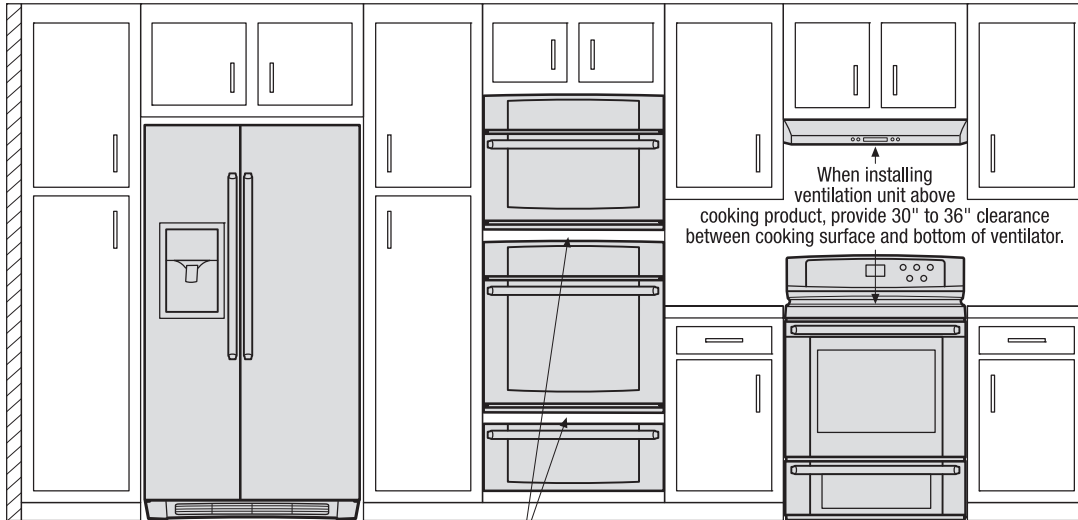
General Installation Guidelines

For Installation with Side-by-Side Refrigerator



Use these dimensions and clearance instructions for planning purposes only. For detailed installation instructions, refer to installation guide, packed with product, or on the web at electroluxappliances.com.

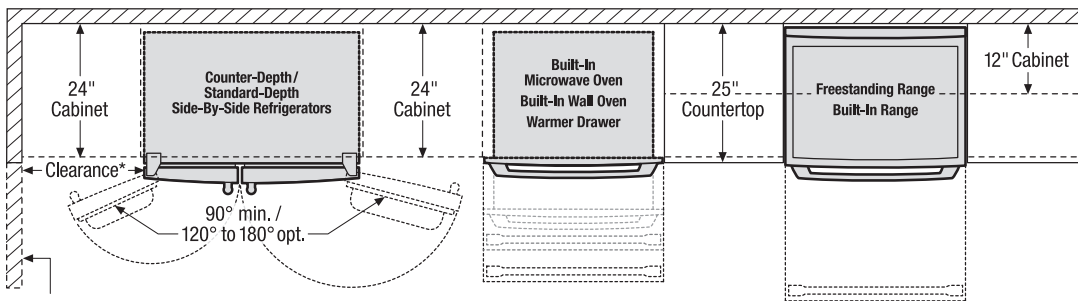
Front



When installing built-in cooking appliances in combination, 2"-high minimum visible gap between appliance faceplates required.

Clearance information for cooking appliances, provided in specific product's installation guide.

Top

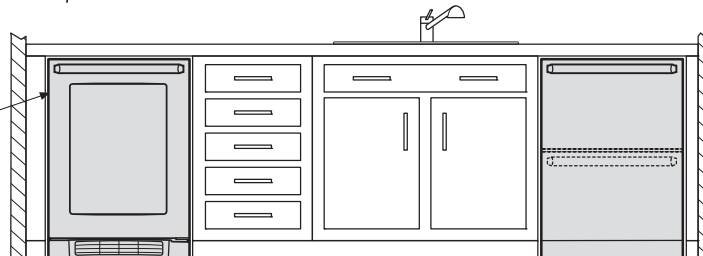


*When installing side-by-side refrigerator adjacent to wall, cabinet or another appliance that extends beyond front edge of unit, 20" minimum clearance recommended to allow for optimum 120° to 180° door swing, providing complete drawer/crisper access and removal. (Absolute 4-1/2" minimum clearance will ONLY allow for 90° door swing which will provide limited drawer/crisper access with restricted removal.)

When installing appliance with sliding drawer or drop-down door directly across from obstructions, provide sufficient clearance for drawer extension or door swing.

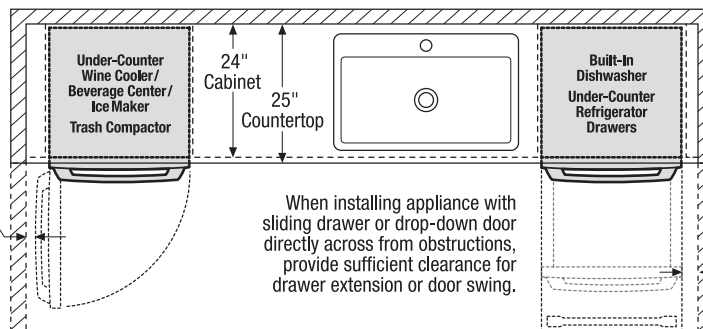
Front

To ensure optimum performance, avoid installing refrigeration appliances in direct sunlight or near heat source.



Top

When installing appliance with side-swing door adjacent to wall, cabinet, or other obstruction that extends beyond front edge of appliance, door swing and handle clearance must be sufficient to allow access to appliance interior.



When installing appliance with sliding drawer or drop-down door directly across from obstructions, provide sufficient clearance for drawer extension or door swing.

When installing appliance with sliding drawer or drop-down door adjacent to wall, cabinet, or other obstruction that extends beyond front edge of appliance, allow 2" minimum clearance between drawer or door and obstruction.

Electrolux Major Appliances, N.A.

USA • 10200 David Taylor Drive • Charlotte, NC 28262 • 1-877-4electrolux (1-877-435-3287) • electroluxappliances.com
 CANADA • 5855 Terry Fox Way • Mississauga, ON L5V 3E4 • 1-800-265-8352 • electroluxappliances.ca

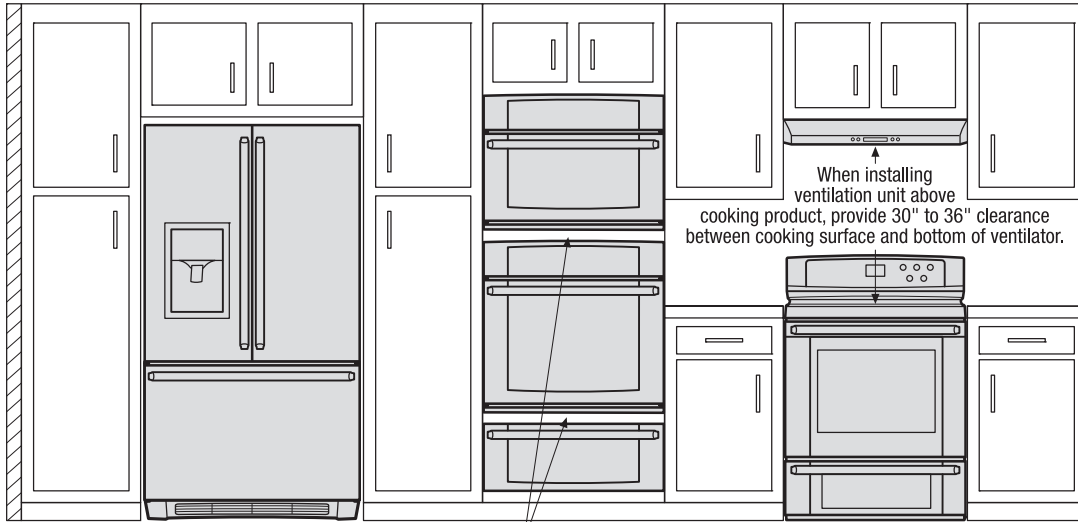
General Installation Guidelines

For Installation with French Door Refrigerator



Use these dimensions and clearance instructions for planning purposes only. For detailed installation instructions, refer to installation guide, packed with product, or on the web at electroluxappliances.com.

Front

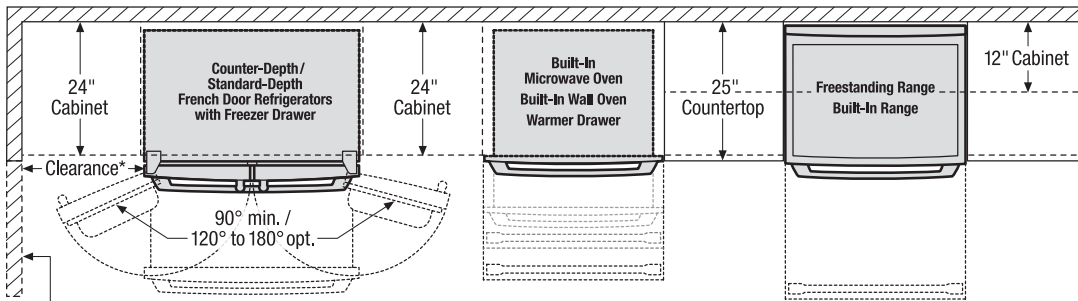


When installing ventilation unit above cooking product, provide 30" to 36" clearance between cooking surface and bottom of ventilator.

When installing built-in cooking appliances in combination, 2"-high minimum visible gap between appliance faceplates required.

Clearance information for cooking appliances, provided in specific product's installation guide.

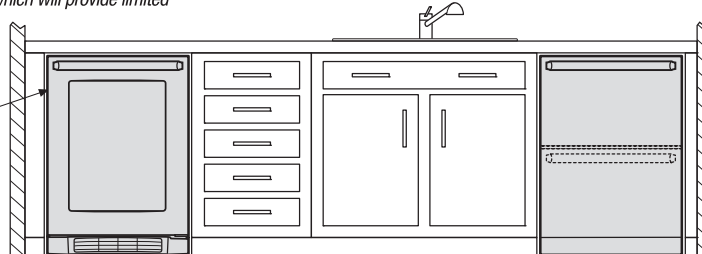
Top



*When installing a French door refrigerator adjacent to wall, cabinet or another appliance that extends beyond front edge of unit, 20" minimum clearance recommended to allow for optimum 120° to 180° door swing, providing complete drawer/crisper access and removal. (Absolute 4-1/2" minimum clearance will ONLY allow for 90° door swing which will provide limited drawer/crisper access with restricted removal.)

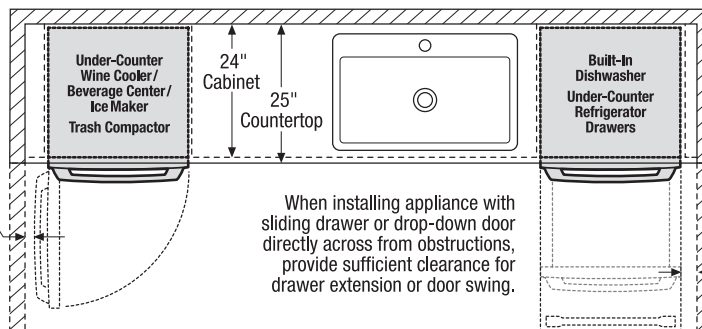
When installing appliance with sliding drawer or drop-down door directly across from obstructions, provide sufficient clearance for drawer extension or door swing.

Front



To ensure optimum performance, avoid installing refrigeration appliances in direct sunlight or near heat source.

Top



When installing appliance with side-swing door adjacent to wall, cabinet, or other obstruction that extends beyond front edge of appliance, door swing and handle clearance must be sufficient to allow access to appliance interior.

When installing appliance with sliding drawer or drop-down door directly across from obstructions, provide sufficient clearance for drawer extension or door swing.

When installing appliance with sliding drawer or drop-down door adjacent to wall, cabinet, or other obstruction that extends beyond front edge of appliance, allow 2" minimum clearance between drawer or door and obstruction.

Electrolux Major Appliances, N.A.

USA • 10200 David Taylor Drive • Charlotte, NC 28262 • 1-877-4electrolux (1-877-435-3287) • electroluxappliances.com
 CANADA • 5855 Terry Fox Way • Mississauga, ON L5V 3E4 • 1-800-265-8352 • electroluxappliances.ca

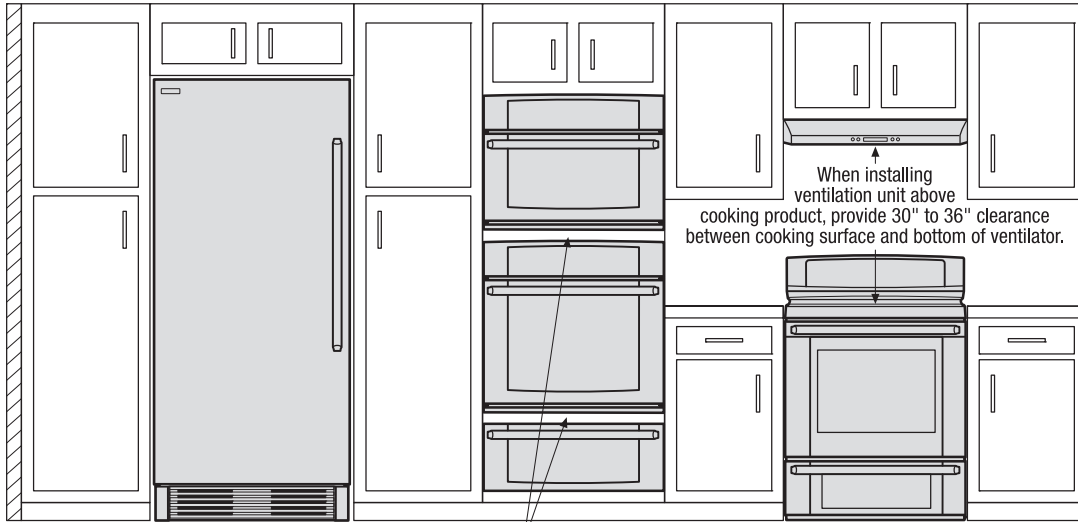
General Installation Guidelines

For Installation with All Refrigerator or All Freezer



Use these dimensions and clearance instructions for planning purposes only. For detailed installation instructions, refer to installation guide, packed with product, or on the web at electroluxappliances.com.

Front

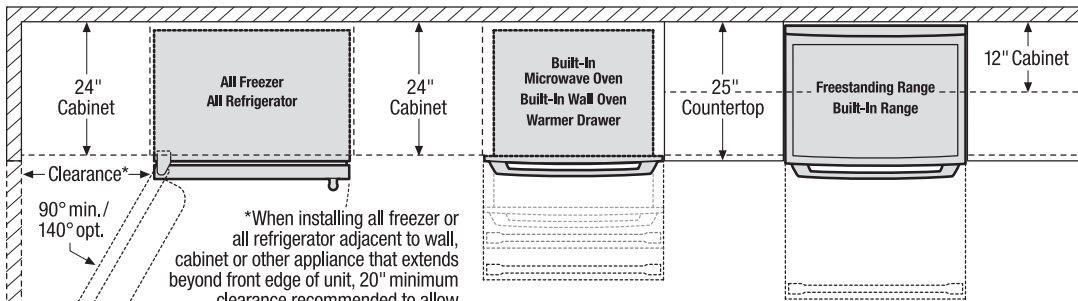


When installing built-in cooking appliances in combination, 2"-high minimum visible gap between appliance faceplates required.

Clearance information for cooking appliances, provided in specific product's installation guide.

When installing ventilation unit above cooking product, provide 30" to 36" clearance between cooking surface and bottom of ventilator.

Top



24" Cabinet

All Freezer
All Refrigerator

24" Cabinet

Built-In Microwave Oven
Built-In Wall Oven
Warmer Drawer

25" Countertop

Freestanding Range
Built-In Range

12" Cabinet

Clearance*

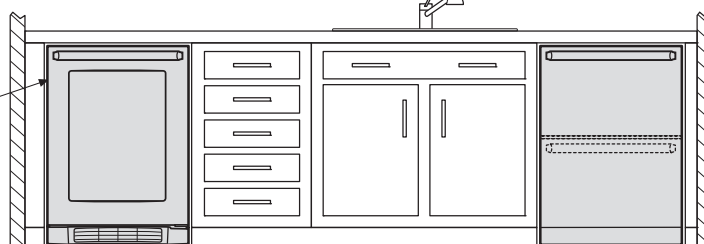
90° min./
140° opt.

*When installing all freezer or all refrigerator adjacent to wall, cabinet or other appliance that extends beyond front edge of unit, 20" minimum clearance recommended to allow for optimum 140° door swing, providing complete drawer/crisper access and removal. (Absolute 4" minimum clearance will ONLY allow for 90° door swing which will provide limited drawer/crisper access with restricted removal.)

When installing appliance with sliding drawer or drop-down door directly across from obstructions, provide sufficient clearance for drawer extension or door swing.

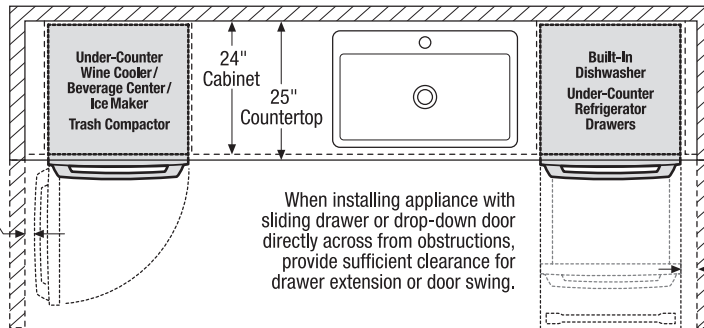
Front

To ensure optimum performance, avoid installing refrigeration appliances in direct sunlight or near heat source.



Top

When installing appliance with side-swung door adjacent to wall, cabinet, or other obstruction that extends beyond front edge of appliance, door swing and handle clearance must be sufficient to allow access to appliance interior.



24" Cabinet

25" Countertop

Under-Counter Wine Cooler/
Beverage Center/
Ice Maker
Trash Compactor

Built-In Dishwasher
Under-Counter Refrigerator
Drawers

When installing appliance with sliding drawer or drop-down door directly across from obstructions, provide sufficient clearance for drawer extension or door swing.

When installing appliance with sliding drawer or drop-down door adjacent to wall, cabinet, or other obstruction that extends beyond front edge of appliance, allow 2" minimum clearance between drawer or door and obstruction.

Electrolux Major Appliances, N.A.

USA • 10200 David Taylor Drive • Charlotte, NC 28262 • 1-877-4electrolux (1-877-435-3287) • electroluxappliances.com
CANADA • 5855 Terry Fox Way • Mississauga, ON L5V 3E4 • 1-800-265-8352 • electroluxappliances.ca