

## F 2412 Vi MasterCool™ freezer

For high-end design and technology on a large scale.



- Push2open for convenient door-opening assistance
- Light floods the interior thanks to LED elements – BrilliantLight
- Fresh ice cubes from the IceMaker with plumbed water connection
- Convenient control thanks to color touch display MasterSensor

EAN: 4002516321866 / Material number: 11503300 /  
Old Material Number: 37241201USA

<b>General information</b>	
Model number	F 2412 Vi
Manufacturer material number	11503300
EAN number	4002516321866
Class	Diamond
<b>Appliance category</b>	
Freezer	•
<b>Design</b>	
Built-in	•
Built-in integrated	•
Door hinge side	Left
Convertible hinging	•
Can be installed side-by-side	•
<b>Design</b>	
Lighting	BrilliantLight
<b>User convenience</b>	
Networking with Miele@home	•
Electronic temperature display and control	MasterSensor
Sabbath mode	•
NoFrost	•
SoftClose door closing damper	•
IceMaker with mains water connection	•
Push2open	•
FullAccess	•
EasyClean	•
MaxLoad hinge	•
<b>Control</b>	
SuperFrost	•
No. of temperature zones	1
Eco mode	•
<b>Freezer/freezer zone</b>	
Number of shelves	3
Number of freezer baskets	2
Door baskets – small	1
Door baskets – large	3
<b>Efficiency and sustainability</b>	
Energy Star Qualified	•
<b>Safety</b>	
Lock function	•
Acoustic door alarm	•
Acoustic temperature alarm, freezer section	•
Optical door alarm	•
Optical temperature alarm	•
<b>Technical data</b>	
Niche width in inches (mm), min.	18 (457)
Niche width in inches (mm), max.	18 (457)
Niche height in inches (mm), min.	84 1/8 (2134)
Niche height in inches (mm), max.	84 1/8 (2134)

## F 2412 Vi MasterCool™ freezer

For high-end design and technology on a large scale.



EAN: 4002516321866 / Material number: 11503300 /  
Old Material Number: 37241201USA

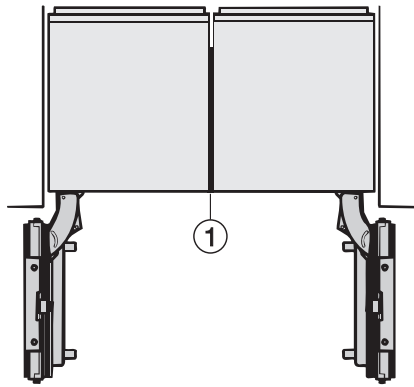
Niche depth in in.(mm)	24 7/8 (629)
Appliance width in in.(mm)	17 7/8 (451)
Appliance height in in.(mm)	83 3/4 (2125)
Appliance depth in in.(mm)	24 (608)
Weight in lbs.(kg)	263 (119.0)
Type of mounting	Fixed door
Maximum fridge compartment door front weight in lbs. (kg)	131 (59)
Total usable capacity in cu. ft. (l)	8.48 (240)
Current consumption in milliampere (mA)	4000
Voltage in V	110-120
Fuse rating in A	10
Number of phases	1
Frequency in Hz	60
Wire length in ft (m)	9 (3.0)
Replacing bulbs	Customer Service

### Available display languages

Available display languages via MultiLingua

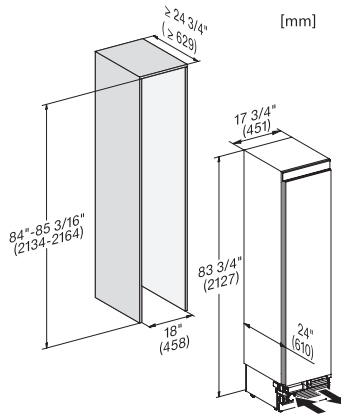
? ? ? ? ? ? ? ? , ?  
 ? , ? ? ? ? ? ? , deutsch,  
 dansk, english, english  
 (AU), english (CA), english  
 (GB), english (US), eesti,  
 suomi, français, français  
 (CA), français (FR),  
 ελληνικά, italiano, ? ?  
 ? , ? ? ? ? , hrvatski,  
 latviesu, lietuviu, bahasa  
 malaysia, nederlands, norsk,  
 polski, portugûês, română,  
 русский, svenska, srpski,  
 slovenčina, slovenščina,  
 español, čeština, türkçe,  
 українська, magyar

F 2412 Vi  
MasterCool™ freezer  
For high-end design and technology on a large scale.

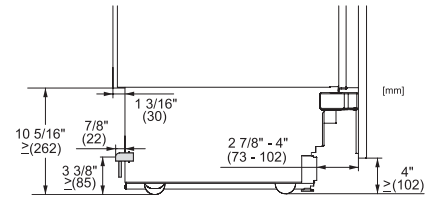


Side-by-side, MasterCool, without partition wall, with heating mat (Sketch) (with footnote)

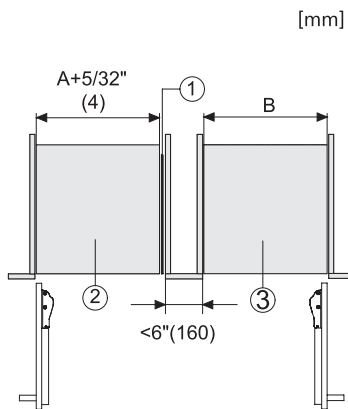
1) Heating mat KSK 2001 (EU, AUS, CN) or KSK 2002 (US, CA, MX, BR)



F2413Vi, F2412Vi, F2411Vi, MasterCool, inner space, installation drawings

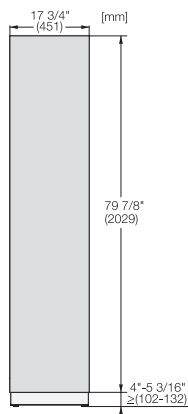


Sideview, MasterCool, Sketch

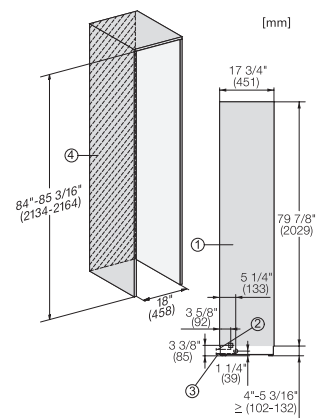


Side-by-Side, MasterCool, footnote, installation drawings

1. KSK 2001/2002, 2. Device A, 3. Device B, A = niche device A, B = niche device B



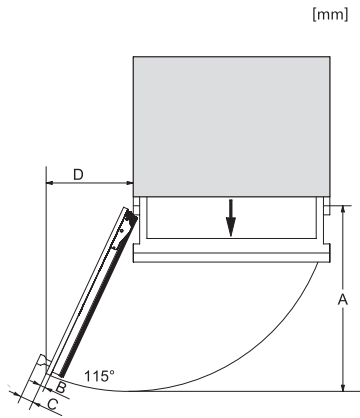
KFP1805ed/cs, KFP1804ed/cs, Front panel, Front dimensions, MasterCool, installation drawings



F2413Vi, F2471Vi, F2471SF, F2461Vi, F2411Vi, F2411SF, installation, MasterCool, installation drawings

1. View from the front, 2. Mains Connection cable, L = 3000 mm (118 inch), 3. Water inlet position, L = 2000 mm (not for KON USA), 4. No water/ELT connections permitted in this area

F 2412 Vi  
 MasterCool™ freezer  
 For high-end design and technology on a large scale.



Opening angle 90°/115°, right side stop, MasterCool (Sketch) with footnote

A) Appliance door, F 2411 Vi: 525 mm (20 2/3 inch);, F 2412 Vi, F 2412 SF, F 2413Vi, F 2472 Vi, F 2472 SF: 525 mm (20 2/3 inch);, F 2671 Vi: 677 mm (26 2/3 inch);, F 2672 Vi, F 2672 SF: 677 mm (26 2/3 inch);, F 2812 SF, F 2812 Vi, F 2813 Vi: 829 mm (32 2/3 inch);, F 2912 Vi, F 2912 SF: 982 mm (38 2/3 inch);, B) Furniture front (max. 38 mm) (1 1/2 inch), C) Door handle, D) Distance from the door to the wall (without furniture front and door handle):, F 2411 Vi: 237 mm (9 1/3 inch);, F 2412 Vi, F 2412 SF, F 2472 Vi, F 2472 SF: 237 mm (9 1/3 inch);, F 2672 Vi, F 2672 SF: 296 mm (11 2/3 inch);, F 2811 Vi: 363 mm (14 1/3 inch);, F 2812 SF, F 2812 Vi: 363 mm (14 1/3 inch);, F 2912 Vi, F 2912 SF: 428 mm (16 7/8 inch);, E) ONLY valid for SF versions: A + 25 mm (1 inch)