

F 2672 SF

MasterCool™ freezer

For high-end design and technology on a large scale.



- Push2open for convenient door-opening assistance
- Light floods the interior thanks to LED elements – BrilliantLight
- Ice and cooled-water dispensers for maximum convenience
- Convenient control thanks to color touch display MasterSensor

EAN: 4002516323150 / Material number: 11503570 /
Old Material Number: 37267211USA

General information	
Model number	F 2672 SF
Manufacturer material number	11503570
EAN number	4002516323150
Class	Diamond
Appliance category	
Freezer	•
Design	
Built-in	•
Built-in integrated	•
Door hinge side	Left
Can be installed side-by-side	•
Design	
Front color	Stainless steel/CleanSteel
Lighting	BrilliantLight
User convenience	
Networking with Miele@home	•
Electronic temperature display and control	MasterSensor
Sabbath mode	•
NoFrost	•
SoftClose door closing damper	•
IceMaker with mains water connection	•
Ice/Water dispenser with plumbed water connection	•
Push2open	•
FullAccess	•
EasyClean	•
MaxLoad hinge	•
Control	
SuperFrost	•
No. of temperature zones	1
Eco mode	•
Freezer/freezer zone	
Number of shelves	2
Number of freezer baskets	2
Door baskets – small	1
Door baskets – large	3
Efficiency and sustainability	
Energy Star Qualified	•
Safety	
Lock function	•
Acoustic door alarm	•
Acoustic temperature alarm, freezer section	•
Optical door alarm	•
Optical temperature alarm	•
Technical data	
Niche width in inches (mm), min.	24 1/8 (610)
Niche width in inches (mm), max.	24 1/8 (610)
Niche height in inches (mm), min.	84 1/8 (2134)

F 2672 SF

MasterCool™ freezer

For high-end design and technology on a large scale.



EAN: 4002516323150 / Material number: 11503570 /

Old Material Number: 37267211USA

Niche height in inches (mm), max.	84 1/8 (2134)
Niche depth in in.(mm)	24 1/8 (610)
Appliance width in in.(mm)	23 3/4 (603)
Appliance height in in.(mm)	83 3/4 (2125)
Appliance depth in in.(mm)	24 (608)
Weight in lbs.(kg)	390 (176.7)
Type of mounting	Fixed door
Storage time in case of fault in h	10
Current consumption in milliampere (mA)	4000
Voltage in V	110-120
Fuse rating in A	10
Number of phases	1
Frequency in Hz	60
Wire length in ft (m)	9 (3.0)
Replacing bulbs	Customer Service

Available display languages

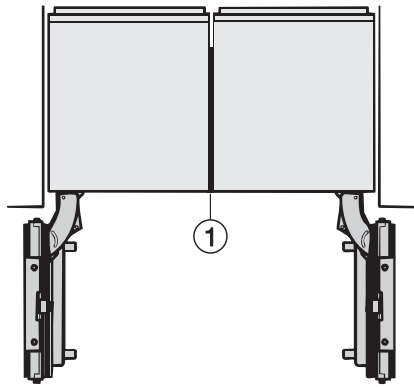
Available display languages via MultiLingua

? ? ? ? ? ? ? ?
 ? , ? ? ? ? ? , deutsch,
 dansk, english, english
 (AU), english (CA), english
 (GB), english (US), eesti,
 suomi, français, français
 (CA), français (FR),
 ελληνικά, italiano, ? ?
 ? , ? ? ? ? , hrvatski,
 latviesu, lietuviu, bahasa
 malaysia, nederlands, norsk,
 polski, portugûês, română,
 русский, svenska, srpski,
 slovenčina, slovenščina,
 español, čeština, türkçe,
 українська, magyar

F 2672 SF

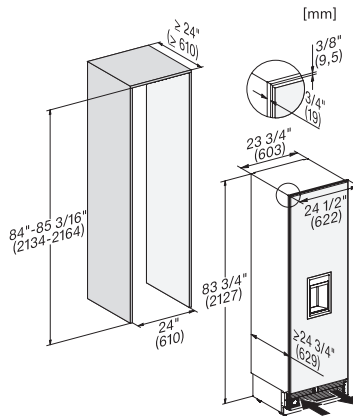
MasterCool™ freezer

For high-end design and technology on a large scale.

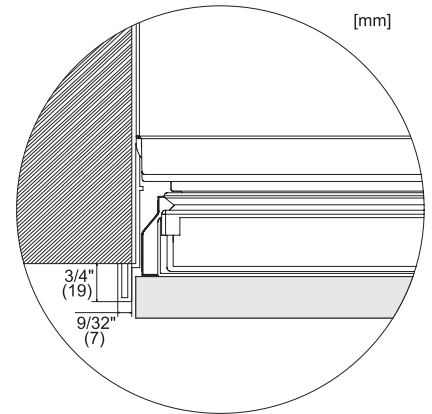


Side-by-side, MasterCool, without partition wall, with heating mat (Sketch) (with footnote)

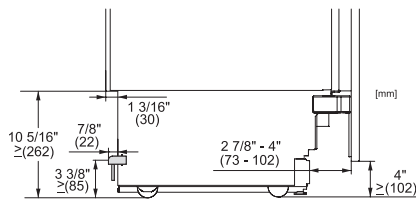
1) Heating mat KSK 2001 (EU, AUS, CN) or KSK 2002 (US, CA, MX, BR)



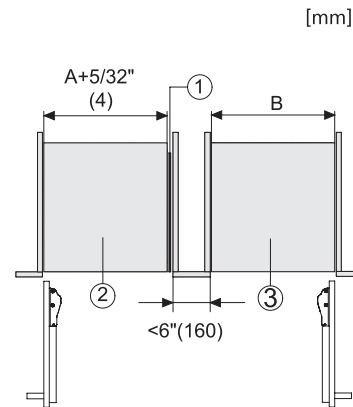
F2672SF, F2671SF, MasterCool, installation, installation drawings (US, CA)



MasterCool, top view, doorway, installation drawings

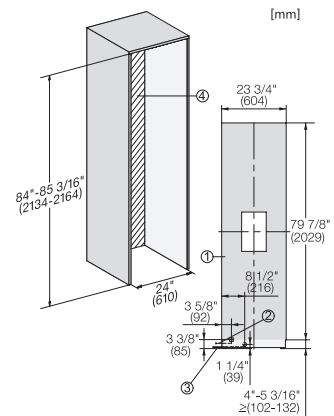


Sideview, MasterCool, Sketch



Side-by-Side, MasterCool, footnote, installation drawings

1. KSK 2001/2002, 2. Device A, 3. Device B, A = niche device A, B = niche device B



F2672Vi, F2672SF, F2662Vi, F2671Vi, F2671SF, F2661Vi, MasterCool, installation, installation drawings

1. View from the front, 2. Mains Connection cable, L = 3000 mm (118 inch), 3. Water inlet position, L = 2000mm (not for KON USA), 4. No water/ELT connections permitted in this area