

FAB10ULCR3



Product family	Refrigerator
Installation	Free-standing
Category	Single door
Defrost	Automatic for refrigerator, manual for freezer
Hinge position	Left
EAN code	8017709321406



Aesthetic

Aesthetics	Retro-style	Logo color	Chromed
Color	Cream	Side material	Steel
Finishing	Glossy	Side color	Cream
Handle	External	Logo	Applied
Handle color	Chromed		

Refrigerator compartment features



No. of adjustable shelves	2	Crisper cover	Yes
Number of fruit and vegetables drawers	1	Type of crisper cover	Glass
Type of adjustable shelves	Glass	Refrigerator lighting	Yes
Crisper drawer type	Standard	Refrigerator lighting	LED

Refrigerator Inner Door

Number of adjustable door shelves	2	No. of bottle shelves	1
--	---	------------------------------	---

Freezer features

Internal freezer compartment	Yes
-------------------------------------	-----

Other technical features

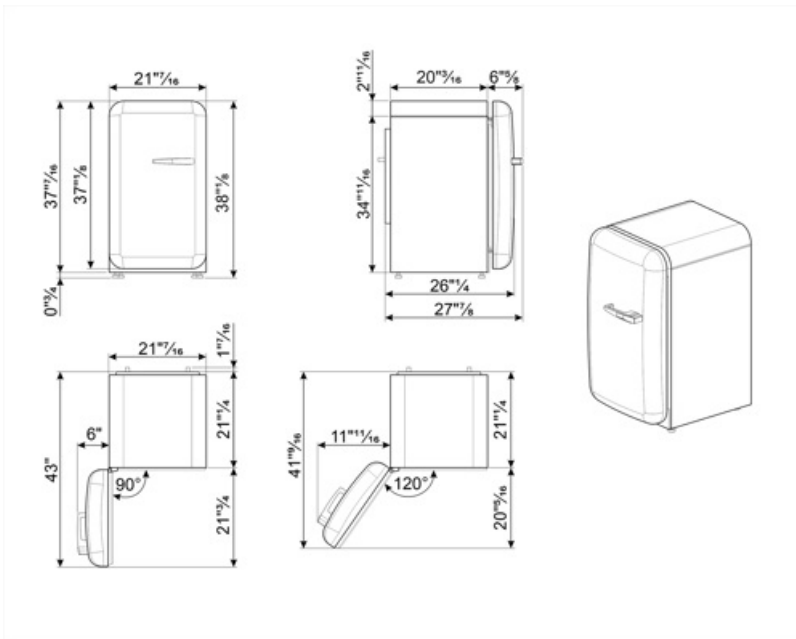
Temperature setting type	Electro-mechanical
No. of compressors	1
Refrigerant gas type	R600a
Compressor type	Standard
Foam agent	Cyclopentane

Performance / Energy Label

Total volume	4.48 cu. ft.	Refrigerator volume	3.85 cu. ft.
Noise level	37 dB(A) re 1 pW	Climatic class	SN, N, ST, T
Freezer capacity	0.64 cu. ft.		

Electrical Connection

Plug	(A) USA & Mexico	Voltage (V)	120 V
Electrical connection rating	110 W	Frequency (Hz)	60 Hz
Current	1,25 A	Power cord length	70 7/8 "



Symbols glossary (TT)



The automatic defrost system works by automatically defrosting at regular intervals eliminating the need to defrost altogether.



LED interior lighting: is a more energy efficient and long lasting way of illuminating the interior of the appliance.