

# FAB10ULWH3



Product family	Refrigerator
Installation	Free-standing
Category	Single door
Defrost	Automatic for refrigerator, manual for freezer
Kitchen panel	Not supplied
Hinge position	Left
EAN code	8017709321383



## Aesthetic

Aesthetics	Retro-style	Side material	Steel
Color	White	Side color	White
Finishing	Glossy	Logo	Applied
Handle	External	Door shelf profile color	Silver
Handle color	Chromed	Glass shelf profile color	Silver
Logo color	Chromed		

## Refrigerator compartment features



No. of adjustable shelves	1	Crisper cover	Yes
Number of fruit and vegetables drawers	1	Type of crisper cover	Glass
Type of adjustable shelves	Glass	Refrigerator lighting	Yes
Crisper drawer type	Standard	Refrigerator lighting	LED

## Refrigerator Inner Door

Number of adjustable door shelves	2	No. of bottle shelves	1
-----------------------------------	---	-----------------------	---

## Other Refrigerator features

Accessories	Bottle holder
-------------	---------------

## Freezer features

Internal freezer compartment Yes

## Other technical features

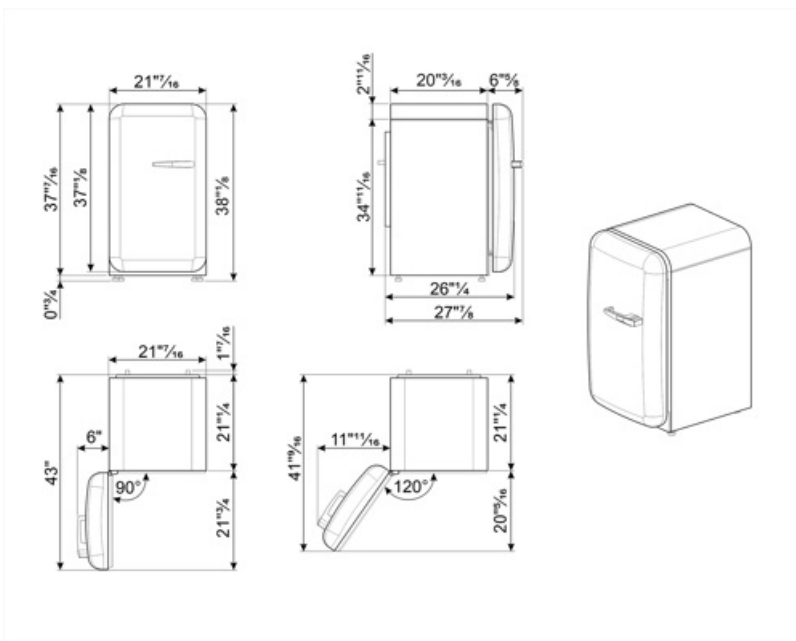
Temperature setting type	Electro-mechanical
No. of compressors	1
Refrigerant gas type	R600a
Compressor type	Standard
Foam agent	Cyclopentane

## Performance / Energy Label

Total volume	4.48 cu. ft.	Refrigerator volume	3.85 cu. ft.
Noise level	37 dB(A) re 1 pW	Climatic class	SN, N, ST, T
Freezer capacity	0.64 cu. ft.		

## Electrical Connection

Plug	(A) USA & Mexico	Voltage (V)	120 V
Electrical connection rating	110 W	Frequency (Hz)	60 Hz
Current	1.25 A	Power cord length	70 7/8 "



---

## Symbols glossary (TT)

---



The automatic defrost system works by automatically defrosting at regular intervals eliminating the need to defrost altogether.



LED interior lighting: is a more energy efficient and long lasting way of illuminating the interior of the appliance.