

**IMPORTANT SAFETY INSTRUCTIONS  
READ CAREFULLY AND KEEP FOR  
FUTURE REFERENCE**

How to read the User Manual	3
For this appliance	8
Appliance purpose	8
Disposal	9
Technical Support	9
Warranty	10
This user manual	10
Manufacturer's liability	10
Identification plate	10
To save energy	10
Light sources	10
<b>DESCRIPTION</b>	<b>11</b>
General description	11
Accessories	11
<b>USE</b>	<b>12</b>
Preliminary operations	12
First use	12

Temperature setting	12
Alarm for door open	12
Using the accessories	12
Ventilation	13
Using the refrigerator compartment	13
Using the freezer compartment	14
Noises during operation	14
Heated front surface	15
Turning the appliance off	15
Storage advice	15
<b>CLEANING AND MAINTENANCE</b>	<b>15</b>
Cleaning the appliance	15
Defrosting	16
Interior lighting	16
Replacing the seal	16
What to do if...	16
<b>INSTALLATION</b>	<b>17</b>
Electrical connection	17
Positioning	17


We advise you to read this manual carefully, which contains all the instructions for maintaining the appliance's aesthetic and functional qualities. For further information on the product: [www.smeg.com](http://www.smeg.com)

**IMPORTANT SAFETY INSTRUCTIONS  
READ CAREFULLY AND KEEP FOR FUTURE  
REFERENCE**


**WARNING: If the instructions in this manual are not carefully followed, fire or explosion may occur resulting in property damage, personal injury or death.**

**How to read the User Manual**


This User Manual uses the following definitions of terms:

 **DANGER**


- failure to follow instructions immediately may result in death or serious injury.

 **WARNING**

- failure to follow instructions may result in death or serious injury.

 **PRECAUTION**

- indicates a potentially hazardous situation which, if not avoided, may result in minor to moderate injury.

 **NOTE: important information**

## Notice: Proposition 65 of the State of California



This product may expose you to chemicals including vinyl chloride, which is known to the State of California to cause cancer and prenatal defects or other reproductive harm. See [www.P65Warnings.ca.gov](http://www.P65Warnings.ca.gov) for more information.

## Injury to persons

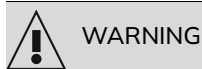


### WARNING

- Read all instructions.
- This appliance is not intended for use by persons (including children) with reduced physical, sensory or mental capabilities, or lack of experience and knowledge, unless they have been given supervision or instruction concerning use of the appliance by a person responsible for their safety.
- Do not leave children unattended: Children should not be left alone or unattended in the area where the appliance is used.
- Never allow children to sit or stand on any part of the appliance.
- Never allow children to play with the refrigerator and have them use the drawers, shelves and other parts of the appliance only as described in this manual.
- Never attempt to extinguish flames/fire with water. Turn off the appliance and cover the flame with a fire-proof blanket or a dry or foam fire-extinguisher.
- Do not attempt to repair, disassemble, or modify the appliance yourself.
- Do not damage the coolant circuit.
- Do not use this appliance if the power plug or cord are damaged.
- CAUTION: do not use electrical equipment inside the food storage compartments of the appliance unless it is of the type recommended by the manufacturer.
- Use a non-flammable cleaner.
- Do not climb, stand or stick to refrigerator shelves. This could result in serious injury or damage to the appliance.
- Cleaning and maintenance operations to be performed by the operator should not be carried out by children without supervision.
- Do not modify the appliance.
- Do not insert sharp metal objects (knives and utensils) into the slots.
- Do not touch (especially with wet hands) or place in your mouth a frozen product taken directly from the freezer. This can cause burns due to very low temperatures.

- Do not store explosive or flammable substances, such as petrol, in or near this refrigerator or use petrol or other flammable vapors or liquids in the vicinity of this or any other appliance.
- Do not store or use gasoline or other flammable vapors, liquids, or materials near this or any other appliance.
- Bottles with high alcohol content should be tightly closed and upright.
- Organic, acidic substances and ethereal oils can corrode plastic surfaces and seals if in contact for a long time.
- Before cleaning or servicing, turn off the appliance and disconnect it from the power supply.
- Do not insert the plug into the electrical outlet with wet hands.
- Do not pull the cable to remove the plug.
- Do not sit on the appliance.
- Do not lean or sit on the door or on open drawers.
- Do not use steam jets to clean the appliance.
- CAUTION: do not defrost or clean the appliance with a steam cleaner.
- WARNING: do not use electrical appliances (e.g., hair dryers, etc.) or defrosting sprays to accelerate defrosting, as they may deform plastic parts, unless they are recommended by the manufacturer.
- Do not store liquids in cans or glass containers in the freezer.
- Do not remove ice or frost with sharp objects to avoid damage to the walls of the appliance.
- CAUTION: Do not place portable power strips or portable power supplies in the rear of the appliance.
- Do not place heavy objects on top of the appliance.

### Damage to the appliance



- While in use, do not place metal objects on the appliance, such as knives, forks, spoons and lids.
- Do not use abrasive or corrosive detergents on the glass parts (e.g. powder products, stain removers or metal scouring pads).



- For safety reasons and to prevent damage to the appliance, never sit, stand or lean on the refrigerator door.
- CAUTION: never cover or block any ventilation openings on the appliance.
- Do not refreeze frozen

foods that have partially or completely thawed.

- Do not strike or press too hard on glass surfaces.
- Do not pry open the door or handle to move the appliance.
- Under no circumstances should the appliance be used to cool the room.
- Wear appropriate clothing. Never wear loose or dangling clothing when using the appliance.
- Comply with maximum storage times and expiration dates for frozen products.

## Installation and maintenance



### WARNING

- It takes two or more people to move and install this appliance.
- This appliance is heavy and must be secured during transport and installation.
- Do not use the appliance outdoors.
- CAUTION: while positioning the appliance, make sure that the power supply cable is not caught or damaged.
- To prevent instability of the appliance, install and secure it correctly as indicated in the instructions provided in this manual.
- Do not install this appliance in prefab (mobile) homes, recreational vehicles (RV),

or boats.

- Do not install this appliance in a room where there is a risk of freezing.
- The appliance must not be exposed to direct sunlight.
- The appliance should not be placed near any heat sources or flammable materials. If this is not possible, a suitable insulation panel should be used.
- Always place the appliance in a dry, well-ventilated room.
- If installed near another refrigerator or freezer, keep it at a minimum distance of 2 cm -  $\frac{3}{4}$ ".
- Depending on the climate class to which it belongs, the appliance can be used in different temperature conditions. The climate class is specified on the appliance nameplate.
- Observe all applicable regulations and ordinances.
- The appliance must be connected to earth in compliance with electrical system safety standards.
- Insert the plug into a 3-pin grounded outlet.
- Do not remove the grounding pin.
- Do not use an adapter plug.
- Do not use an extension cord.
- Do not twist or tie the power cord.

- Do not pull or bend the power cord.
- Do not damage the power cord when moving the appliance.
- To avoid any danger, if the power cord is damaged, contact technical assistance service immediately to have it replaced and eliminate any risk.
- Never unplug an appliance device by pulling on the power cord. Always grasp the plug firmly when pulling it out of the outlet to avoid damaging the power cord.
- Always disconnect the appliance from the power supply when troubleshooting, servicing, replacing bulbs, or cleaning.
- Have a qualified electrician check the wall outlet and circuit to make sure the outlet is properly grounded.
- Installation and servicing should be carried out by qualified personnel in accordance with current standards. Service personnel should disconnect power before working on this appliance.
- Have the electrical connection performed by authorized technical personnel.
- Always use any necessary/required personal protective equipment (PPE)

- before performing any work on the appliance (installation, maintenance, positioning or movement).
- Do not attempt to repair or replace any part of this appliance unless specifically recommended in this manual. Any other maintenance must be performed by a qualified technician.
- Do not damage or drill the coolant pipes.
- Do not damage the coolant circuit.
- Do not use sharp instruments, alcohol, flammable liquids, or abrasive cleaners to remove tape glue. Clean only with warm water.
- ATTENTION: Keep ventilation openings in the appliance enclosure or built-in structure free from obstructions.
- Do not use mechanical, electrical, or chemical products other than those recommended by the manufacturer to speed up the defrosting process.
- Do not dispose of the packaging materials improperly. Separate the various pieces by type and consign them to the nearest separate waste collection center.



**PRECAUTION**

- Leave the appliance standing vertically for at

least two hours before turning it on for the first time.

- Leave enough space around the appliance and install it on a flat surface.
- Never use the open door to lever the appliance into place when fitting.
- Avoid exerting too much pressure on the door when open.
- When installing the appliance be careful not to scratch or damage the floor.
- Do not move back and forth or drag the appliance when trying to move it, as you may damage the floor.
- Never cover or block any ventilation openings on the appliance.
- This equipment can be used up to a maximum height of 2000 meters/6562 feet above sea level.

### For this appliance



#### PRECAUTION

- The appliance contains a small amount of isobutane (R600a), take care during transport, assembly or cleaning not to damage the refrigeration circuit.
- In case of damage to the refrigeration circuit, avoid using open flames and ventilate the room appropriately.
- Do not operate the

equipment or any part of it other than as specified in this manual.

- Caution: Fire hazard/flammable materials.



- Opening the door for long periods of time can cause a significant temperature increase in the appliance compartments.
- Regularly clean surfaces that may come in contact with food and accessible drainage systems.
- Store raw meat and fish in suitable containers in the refrigerator so that it does not come in contact with other foods or drips on them.
- If the appliance is left empty for long periods, turn it off, defrost, clean, dry, and leave the door open to prevent the development of mold inside.

### Appliance purpose




#### PRECAUTIONS

- This appliance is not intended to be used as a built-in appliance.
- The appliance is not designed for professional and commercial use.
- This appliance is for

refrigeration and conservation of fresh and frozen foods in the home. Every other use is considered improper.

- The appliance is designed for use in a domestic or similar environment, for instance:
  - Staff kitchen areas in shops, offices and other working environments;
  - farmhouse holiday centres, farms and by clients in hotels, motels and other residential-type environments;
  - bed and breakfast establishments;
  - catering and similar non-retail applications.
- The appliance is not designed to operate with external timers or with remote-control systems.

 **NOTE:** This appliance may only be installed and used indoors.

### Disposal

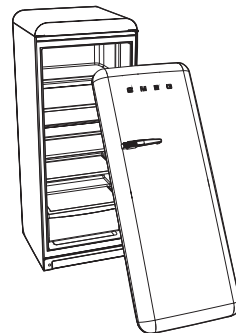
 **DANGER**

- Entrapment risk for children. Before you throw away an old refrigerator/freezer:
  - Remove the doors.
  - Leave the shelves positioned so that children cannot easily climb inside.
- Destroy or recycle cardboard, plastic bags,

and any outer packaging material immediately after unpacking the refrigerator. Children should NEVER use these items for play. They can cause suffocation and death.

 **WARNING**

- Take the appliance to a suitable recycling center for electric and electronic waste, or return it to the dealer when purchasing an equivalent product, as a one-on-one exchange.
- Before you throw away an old refrigerator/freezer:
- Unplug the power cord plug.
  - Cut the power cord.
  - Have the coolant removed and disposed of by a qualified technician.
  - Do not let children climb, stand or stick to refrigerator shelves.
  - Do not allow children to play with the refrigerator.



### Technical Support.

- In the event of failure of the appliance, contact the technical support and have

the repair carried out by qualified personnel only.

- make sure you have the model and serial number available on the identification plate.
- Use original spare parts only.
- Do not try to repair the appliance yourself or without the assistance of a qualified technician: this affects safety and may void the warranty.
- Genuine spare parts for some specific components remain available for a minimum of 7 or 10 years, depending on the type of component, from the date the model is released on the market.

## Warranty

Please check to website to verify the warranties available for the appliance.

Scan the QR code and, once you have accessed the site, enter the model number (which can be found on the identification plate inside the appliance) and download the documents you need.

<https://www.smeg.com/download-manuals>



For further information on the terms and conditions of the commercial warranty, please contact the retailer/distributor of this device; the contact details can be found on the website:

[www.smeg.com/smeg-world](http://www.smeg.com/smeg-world)

## This user manual

- This user manual is an integral part of the appliance and must therefore be kept in its entirety and within the user's reach for the whole working life of the appliance.
- Read this user manual carefully before using the appliance.

## Manufacturer's liability

The manufacturer declines all liability for damage to persons or property caused by:

- use of the appliance other than that specified;
- failure to comply with the instructions in the user manual;
- tampering with any part of the appliance;

- use of non-original spare parts.

## Identification plate

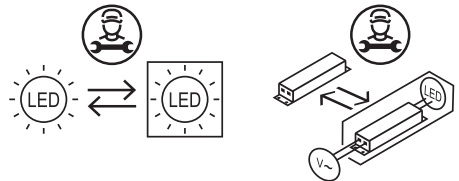
The identification plate bears the technical data, serial number and brand name of the appliance. Do not remove the identification plate for any reason.

## To save energy

- Correct use of the appliance, correct packaging of foodstuffs, a constant temperature and food hygiene have effects on the quality of storage.
- Reduce the number of times that the doors are opened and the length of time they remain open to prevent the compartments from heating up excessively.
- Clean the condenser (if it can be accessed) at the rear of the appliance periodically to prevent the appliance from losing efficiency.
- Defrost frozen food in the refrigerator compartment in order to make use of the cold stored in the frozen foods.
- Placing the shelves at different heights does not affect the stated energy consumption.

## Light sources

- This appliance contains light sources which cannot be replaced by the user and must only be replaced by the technical assistance service.

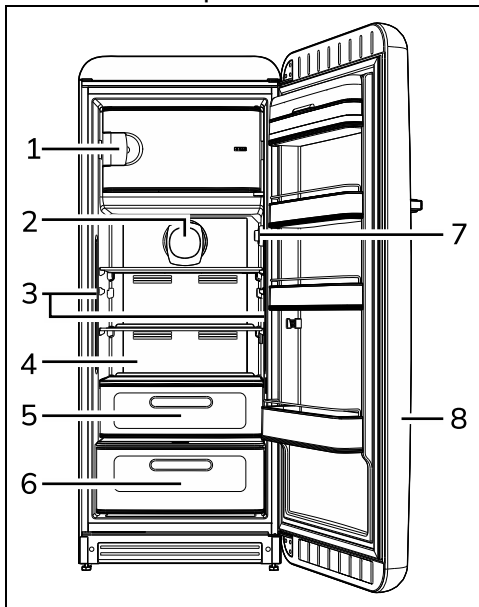


- This appliance contains light sources of efficiency class "F".

# READ AND KEEP THESE INSTRUCTIONS

# DESCRIPTION

## General description



### 1 Freezer compartment

For storing frozen foods, freezing fresh foods and producing ice cubes.

### 2 Fan

Distributes the temperature and reduces condensation on the shelves and other surfaces.

### 3 Interior lighting

The interior of the appliance is lit when the door is opened.

### 4 Refrigerator compartment

For storing fresh foods.

### 5 Super-cold drawer

### 6 Fruit and vegetable drawer

### 7 Thermostat

For setting the temperature inside the refrigerator and freezer compartments.

### 8 Fridge door

## Accessories



Not all accessories are available on some models.

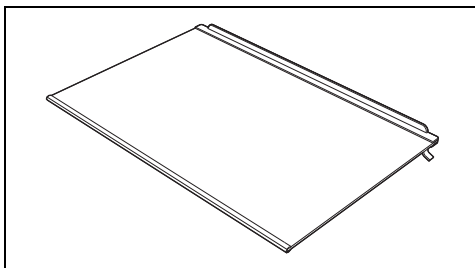


The accessories intended to come into contact with food are made of materials that comply with the provisions of current legislation.



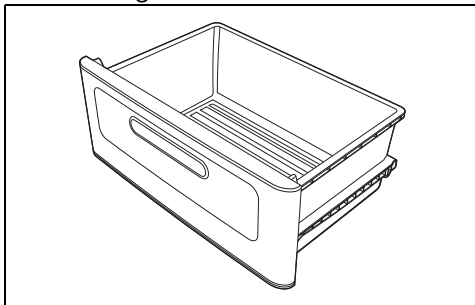
Original supplied and optional accessories can be requested to Authorised Assistance Centres. Use only original accessories supplied by the manufacturer.

## Shelves



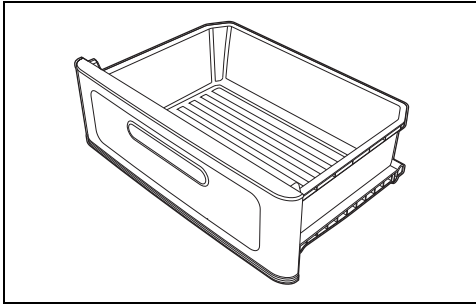
For optimizing fridge space and placing foodstuffs inside the refrigerator compartment.

## Fruit and vegetable drawer



For storing fruit and vegetables, maintaining a constant humidity level.

## Super-cold drawer



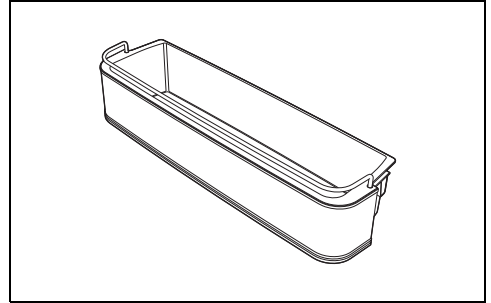
Can be used for maintaining freshness and flavor of delicate food such as meat, fish and lightly frozen foods for a longer time period, since temperature is kept constantly between  $-2^{\circ}\text{C}$  and  $+3^{\circ}\text{C}$  (approximately

$28^{\circ}\text{F}$  and  $37^{\circ}\text{F}$ ).



Do not place food to be frozen or trays to make ice in the super-cold compartment.

## Door balconies and shelves



For storing foodstuffs in small containers. The shelf in the lower part of the door is useful for storing bottles.

# USE

## Preliminary operations



See General safety instructions.

- Remove any protective film from the outside or inside of the appliance, including accessories.
- Remove any labels (apart from the technical data plate) from the accessories and shelves.
- Remove and wash all the appliance accessories (see chapter "CLEANING AND MAINTENANCE").

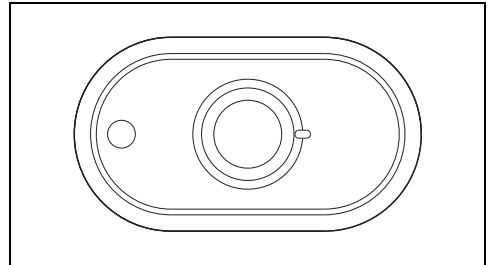
## First use




After installing or relocating the appliance, wait at least two hours before operating it.


Make sure that the appliance is connected to the electrical outlet.

## Temperature setting



Turn the thermostat knob from position  (minimum) to **5** (maximum) depending on the desired temperature.



Increasing from position  to **5** the temperature decreases in the refrigerator compartment.

## Alarm for door open

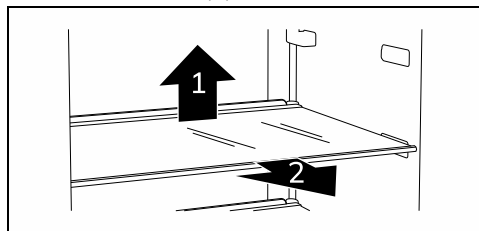
When the refrigerator compartment door remains open for a long time, the appliance sounds to warn the user that door should be closed.


## Using the accessories

### Shelves

These can be positioned at different heights on the guides according to requirements.

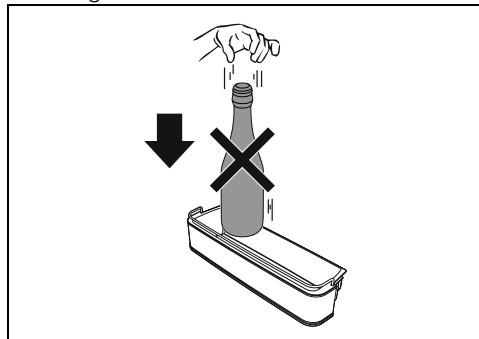
Each shelf has a safety fitting to prevent it from being accidentally removed. To extract them fully, lift up the rear part (1) and remove them (2).



 Perishable foods should be placed on the rear part of the shelves where the temperature is lower.

### Door balconies and shelves

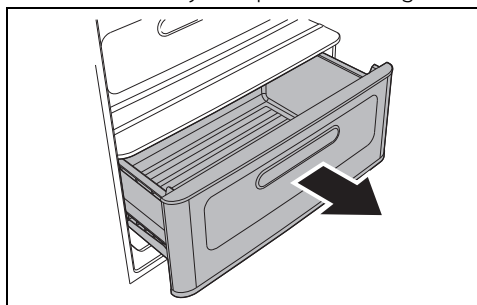
Suitable for storing eggs, butter, dairy products, conserves and other small food packages/containers. The lower part of the door has a shelf for bottles. Avoid placing excessively heavy bottles on the shelf and do not let them drop onto the bottom when inserting them.




### Fruit and vegetable drawer

Located at the bottom of the refrigerator compartment, which is fitted with a glass shelf to cover fresh foods that require

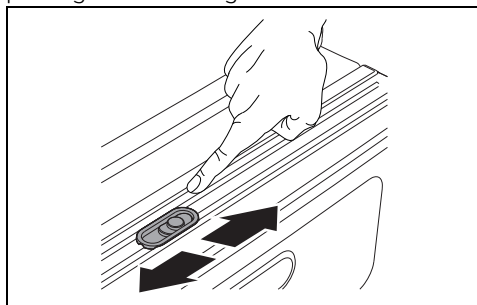
constant humidity for optimum storage.




 Storing vegetables with high content of water can generate condensation on the glass shelf. This is a natural phenomenon which does not affect the appliance's operation in any way.

### Humidity regulator

Can be used to adjust the humidity level in the fruit and vegetable drawer. Slide the regulator horizontally to open or close the passage of air through the slots.



### Ventilation

 Before introducing food into the appliance, seal it thoroughly.

The forced recirculation air in the appliance is free of humidity and quickly dries the food inside.

The inner ventilation system cools food more rapidly and keeps refrigeration homogeneous inside the appliance.

### Using the refrigerator compartment

#### Arranging food

Arrange food on the various shelves, making sure that they are wrapped and covered hermetically. This precaution ensures that:

- the flavour, moisture and freshness of the foods is preserved;
- any contamination of foods with odours or tastes from other foods can be avoided;
- the humidity level inside the refrigerator is prevented from becoming too high as a result of the normal transpiration of food (especially fresh fruit and vegetables). In some operating conditions (rise in ambient temperature and humidity, more frequent opening of the door) this might cause condensation to form on the shelves.



Always allow hot foods and drinks to cool to room temperature before putting them in the appliance.

### Storage life table

Foodstuff	Time
Eggs, smoked meats, marinated foods, cheese	max 10 days
Root vegetables	max 8 days
Butter	max 7 days
Pastries, fruit, ready meals, fresh meat	max 2 days
Fish, minced meat, seafood	max 1 day

### Using the freezer compartment

To keep and freeze foods properly:

- Pack fruit and vegetables in portions of no more than 35 oz / 1 kg; meat and fish in portions of no more than 70 oz / 2 kg.
- small packages freeze quickly which means that the foods' nutritional properties are preserved better, including after defrosting/preparation.
- package foods in hermetically sealed packages, expelling air as much as possible.
- Do not use paper bags or shopping bags, use suitable freezer bags/containers.



Always allow hot foods and drinks to cool to room temperature before putting them in the appliance.

### Frozen foods storage life table

Foodstuff	Time
Fruit, beef	max 10-12 months
Vegetables, veal, poultry	max 8-10 months
Game	max 6-8 months
Pork	max 4-6 months
Ground meat	max 4 months
Bread, desserts, cooked foods, oily fish	max 3 months
Offal	max 2 months
Sausages, lean fish	max 1 month

### Defrosted foods

Food must be consumed as soon as possible once defrosted. Freezing foods preserves them, but it does not destroy any micro-organisms, which are activated after thawing, damaging the foods.

Partial defrosting lowers the nutritional value of the foodstuffs, particularly of fruit, vegetables and ready meals.

### Noises during operation

The refrigerator and freezer compartments are cooled by means of a compression system. In order to maintain the preset temperature inside the refrigerator and freezer compartments, the compressor comes into operation in response to the level of cooling required, and may operate continuously if necessary. When the compressor starts up a humming sound will be heard, tending to drop in volume after a few minutes.

Another normal operating noise of the appliance is a gurgling due to the coolant flowing through the pipes in the circuit. This noise is normal and does not indicate an appliance malfunction. If it becomes too loud, this may mean that there are other causes. Checks must then be made to ensure that:

- The refrigerator is properly levelled on the floor and does not vibrate when the compressor is in operation: if this is not the case, adjust the appliance's feet until it is level;
- The drawers, shelves and trays on the door are correctly positioned in their holders: if they are not, put them in correctly;
- Bottles and containers on the various shelves are stable and not touching each other: otherwise, the vibration resulting from compressor operation could generate noise;

- Do not place the fridge in such a way that it is in contact with furniture or other household appliances.

## Heated front surface

There is a front surface heating system inside the cabinet to limit the formation of condensation around the door seal.

## Turning the appliance off

Whenever the appliance is to remain unused for long periods, it should be switched off.

1. Unplug the appliance from the wall socket.
2. Empty the compartments.
3. Once the freezer has fully defrosted, dry any residual accumulated moisture with a tea towel.



Leave the door ajar to ensure that moisture and stagnant air do not cause unpleasant odours.

## Storage advice

### General advice

- Always check the expiry date on the food packaging.
- The foodstuffs must be stored in closed or pre-packaged containers and must not be able to emit or absorb moisture and odours.
- Remove perishable products from the appliance if you are going away for a long period.

## Refrigerator compartment door

- Keep eggs, butter, cheese etc. in the upper and central parts.
- Keep drinks, bottles, cans etc. in the lower part.

## Refrigerator compartment

- Keep conserves, wine, biscuits etc. in the upper part.
- Keep dairy products, ready meals, pastries, fruit juices, beer etc. in the central part.
- Keep meats, cold cuts etc. in the lower part.
- Keep fresh and tropical fruit, vegetables, carrots, potatoes, onions, etc. in the fruit and vegetable drawer.

## Freezer compartment

- The type of food, quantity and date of freezing should be marked on the container/packaging.
- Use small containers, if possible already cold.
- The quantity of fresh foods which can be frozen at the same time is listed on the nameplate inside the refrigerator compartment.
- Use suitable freezer bags, tinfoil, cling-film for use with food, and freezer containers.
- Do not use paper bags, cellophane for non-food use, shopping bags or pre-used freezer bags.
- Avoid frozen food coming into contact with fresh food to be frozen.
- Keep bagged frozen vegetables, ice, ice cream etc.

# CLEANING AND MAINTENANCE

## Cleaning the appliance



See: General safety warnings.

They must be cleaned regularly in order to keep them in good condition.

### Cleaning the outside of the appliance

- The appliance may be cleaned with water or alcohol-based liquid detergents (e.g. window cleaning products).
- Avoid aggressive detergents and rough sponges in order not to damage the surfaces.
- Use a soft brush to remove dust and fume deposits from the condenser on

the rear of the appliance.

- Clean the tank above the compressor.

### Cleaning the inside of the appliance

- Clean the inside of the appliance with diluted liquid detergent and warm water, adding a little bit of vinegar.
- The door balconies and shelves can be removed: tap them upwards with your fist, first on one side and then on the other in the insertion zone.
- Remove any ice thicker than 3-5 mm -  $\frac{1}{8}$ " -  $\frac{3}{16}$ " Do not use sharp objects or spray products.

## Defrosting



Occasional presence of frost inside the freezer compartment is normal.



Do not use electrical devices (e.g. hair dryers) or sprays for defrosting, the plastic parts could be damaged.

### Defrosting the refrigerator compartment

The refrigerator compartment does not require defrosting, as any ice which forms on the refrigeration plate will melt when the compressor is idle. The defrosting process is automatic.

Defrost water is channeled directly into the dedicated pan on the back of the appliance, which lets it evaporate by means of the heat generated by the compressor.

### Defrosting the freezer compartment

The freezer compartment needs to be defrosted manually. When the thickness of frost or ice exceeds 2 cm -  $\frac{3}{4}$ ", the freezer should be defrosted.

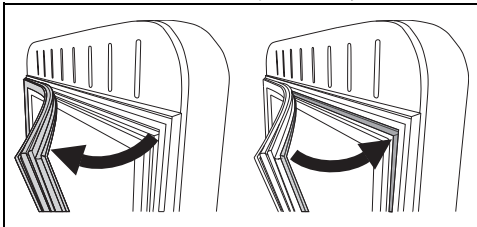
1. A few hours before defrosting, set the thermostat to the max. value in order to further lower the temperature of the frozen foods.
2. Unplug the appliance from the supply mains socket.
3. Remove the frozen foods from the freezer compartment and protect them from thawing while cleaning.
4. Wait until ice thaws and then remove water from the freezer compartment using a sponge/absorbing cloth.

## Interior lighting

Interior lighting, if damaged, must be repaired by Technical Service only.

## Replacing the seal

The door seal can be replaced by the user:



1. Remove the seal by pulling it out of its housing.
2. Reposition the new seal and press along the entire perimeter to insert it into the appropriate housing.

## What to do if...

The appliance does not work:

- Make sure that the appliance is plugged in and that the main switch is turned on.

The compressor starts to function too often or functions continuously:

- The room temperature is too high.
- The door is being opened too often or for too long.
- The door is not closing/sealing properly.
- The freezer is loaded with too many fresh foods.
- Check that sufficient air can circulate around the sensor on the right-hand side of the refrigerator compartment.
- Check that the back of the refrigerator is properly ventilated and that the condenser is not too dirty.

Excessive ice or condensation has built up inside the refrigerator compartment:

- The door is being opened too often or for too long.
- Hot foods have been placed inside the refrigerator compartment.
- The foodstuffs or containers are in contact with the rear wall.
- The door seal is damaged or dirty. Clean or replace it.

The refrigerator compartment is not sufficiently cold:

- The thermostat is set at too high a temperature.
- The door is being opened too often or for too long.
- The door is not closing/sealing properly.
- The room temperature is too high.

The temperature inside the refrigerator compartment is too cold and the foodstuffs are freezing:

- The thermostat is set at too low a temperature.
- Foodstuffs not contained in suitable containers or bags.
- Fruit and vegetables might be too wet.
- Foodstuffs placed against the rear wall of the refrigerator compartment.

Temperature inside freezer compartment not low enough to freeze foods properly:

- The thermostat is set at too high a temperature.
- The door is being opened too often or for too long.
- The door is not closing/sealing properly.
- The door seal is damaged or dirty. Clean or replace it.
- The food to be frozen contains large quantities of sugar.

Excessive ice has built up inside the freezer compartment:

- The thermostat is set at too low a temperature.
- The room temperature is too high.
- The door is being opened too often or for too long.
- The door is not closing/sealing properly.
- The door seal is damaged or dirty. Clean or replace it.
- Hot foods have been placed inside the freezer compartment.

Doors are hard to open just after closing:

- If you attempt to open the door again just after closing it (especially the freezer door), considerable strength is required. This is due to the vacuum created by the cooling of the warm air which has entered the freezer.

The doors are misaligned:

- Check that the appliance is level.
- Level the appliance using its feet.

## INSTALLATION

### Electrical connection



See General safety instructions.

#### General information

- Check the mains characteristics against the data indicated on the plate. The identification plate bearing the technical data, serial number and brand name is visibly positioned inside the appliance. Do not remove this plate for any reason.
- Make sure that the plug and socket are of the same type.
- Avoid using adapters, gang sockets or shunts as these could cause overheating and a risk of burns.
- The plug must always be accessible when the appliance is installed.
- Leave the appliance standing vertically for at least two hours before turning it on for the first time.
- If it is necessary to replace the power cable, this must be performed by an authorised technician from Technical Support Service.

### Positioning



See General safety instructions.

#### Choice of location

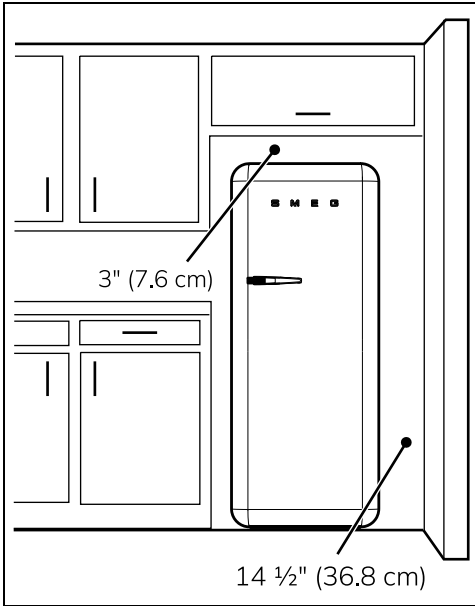
Always install the appliance in a dry place with satisfactory ventilation. Depending on its climate class (stated on the nameplate inside the refrigerator compartment), the appliance can be used in different

temperature conditions.

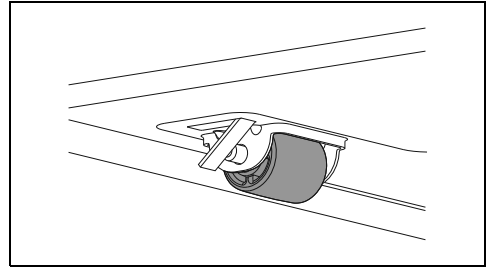
Class	Room temperature
SN (Subnormale)	da 50°F a 90°F
	da 10°C a 32°C
N (Normale)	da 61°F a 90°F
	da 16°C a 32°C
ST (Subtropicale)	da 65°F a 100°F
	da 18°C a 38°C
T (Tropicale)	da 65°F a 109°F
	da 18°C a 43°C

- The appliance must not be installed near heat sources. If this is not possible, insulate properly.
- To ensure proper ventilation for your appliance allow 1 ¼" (3 cm) space on each side.
- If installed underneath wall units, at least 3" (7.6 cm) clearance must be left.
- Ensure that the appliance is located with sufficient space for the door to open and for the internal drawers and shelves to be removed, if necessary. Leave 14 ½" (36,8 cm) minimum on the hinge side to allow for the door

to swing open.

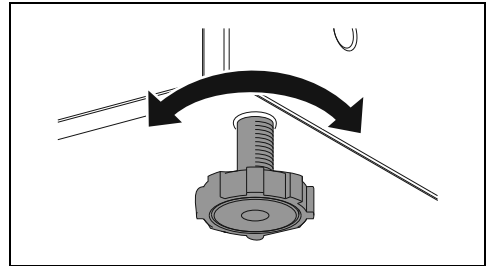


more easily.



In any case, we recommend moving the appliance very carefully in order to avoid damaging the floor (especially in the case of wooden floors).

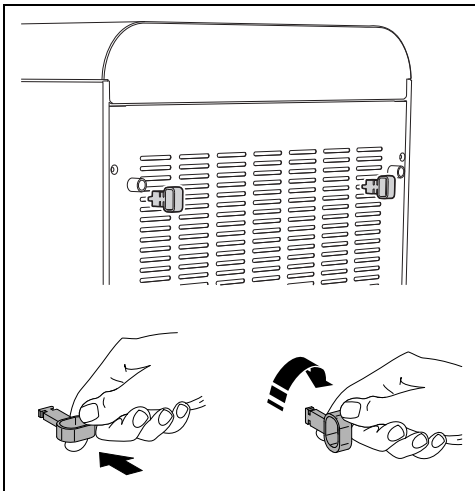
If the floor is not perfectly level, use the two adjustable feet on the front part of the appliance.



Level the appliance horizontally adjusting its feet.

### Spacers

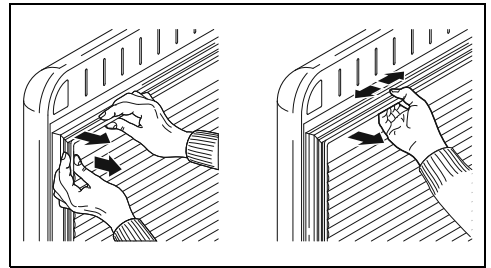
To ensure proper cooling of the condenser, the appliance must not be placed too close to the wall. To avoid this, the product is equipped with two plastic spacers, which must be positioned on the back of the appliance.



Lean the appliance slightly towards the rear part to facilitate proper door closure.



In order for the freezer to be installed correctly, the door must be able to close properly. Ensure that the door seals close hermetically, especially at the corners.



**Pressure on the seal  
Risk of damage to the appliance**

- Do not press, do not tear or detach the seal from the door.

### Positioning

Position the appliance on a firm, level surface.

The appliance has two small wheels on the back to allow it to be moved and positioned

A few days after installation, check that the initial level adjustment is still correct. Make sure that the appliance is still stable and the door seals still close hermetically when it is in operation and loaded with food. If necessary, re-adjust the level and the seals.

Appliance overall dimensions (mm)

