

FAB5URBL3



Product family

Installation

Model notes

Category

Defrost

Hinge position

EAN code

Refrigerator

Free-standing

Due collegamenti presenti sul retro del prodotto: - POWER: per funzionamento del prodotto - SIGNAL: per attivare la funzione SMART Un cavo incluso (per collegamento POWER)

Single door

Automatic

Right

8017709289799



Aesthetic

Aesthetics

Color

Finishing

Material

Retro-style

Black

Glossy

Thermo-formed

Side material

Side color

Logo

Steel

Black

Applied

Refrigerator compartment features



No. of adjustable shelves

2

Type of adjustable shelves

Wire

Refrigerator lighting

Yes

Refrigerator lighting

LED

Refrigerator Inner Door

Number of adjustable door shelves

1

Adjustable door bins with wire support

Yes

No. of bottle shelves

1

Door bin with wire support

Yes

Other technical features

Temperature setting type

No. of compressors

Refrigerant gas type

Electro-mechanical

1

R600a

Foam agent

Cyclopentane

Performance / Energy Label

Noise level

40 dB(A) re 1 pW

Climatic class

SN, N, ST, T

Electrical Connection

Plug

(A) USA & Mexico

Frequency (Hz)

60 Hz

Current

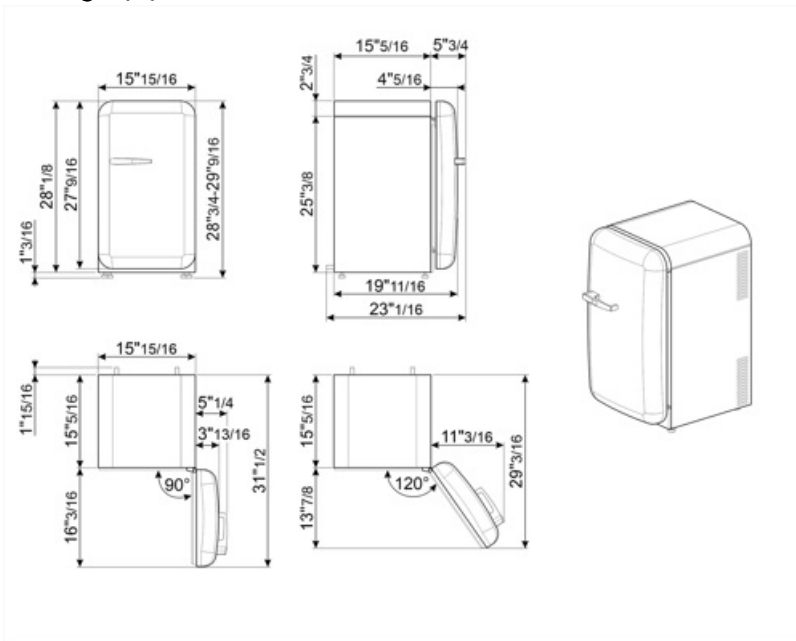
0,89 A

Power cord length

70 7/8 "

Voltage (V)

110 V



Not included accessories

KITCABLE90UK

Cable with IEC connector and UK plug

Symbols glossary (TT)



The automatic defrost system works by automatically defrosting at regular intervals eliminating the need to defrost altogether.



LED interior lighting: is a more energy efficient and long lasting way of illuminating the interior of the appliance.