

FAB5URWH3



Product family	Refrigerator
Installation	Free-standing
Category	Single door
Defrost	Automatic
Hinge position	Right
EAN code	8017709289829



Aesthetic

Aesthetics	Retro-style	Material	Thermo-formed
Color	White	Side material	Steel
Finishing	Glossy	Side color	White
Design	Rounded	Logo	Applied

Refrigerator compartment features



No. of adjustable shelves	2	Refrigerator lighting	Yes
Type of adjustable shelves	Wire	Refrigerator lighting	LED

Refrigerator Inner Door

Number of adjustable door shelves	1	No. of bottle shelves	1
Adjustable door bins with wire support	Yes	Door bin with wire support	Yes

Other technical features

Temperature setting type	Electro-mechanical
No. of compressors	1
Refrigerant gas type	R600a

Foam agent

Cyclopentane

Performance / Energy Label

Noise level

40 dB(A) re 1 pW

Climatic class

SN, N, ST, T

Electrical Connection

Plug

(A) USA & Mexico

Frequency (Hz)

60 Hz

Current

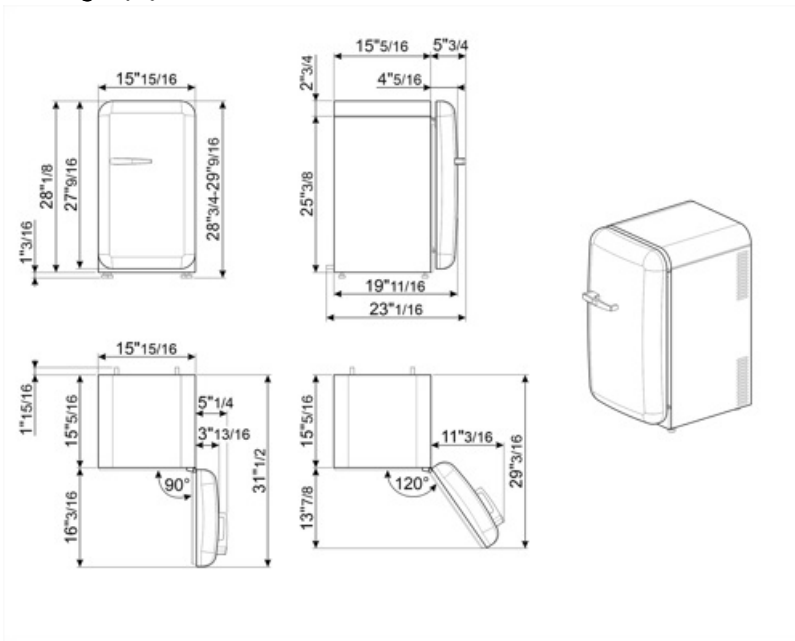
0.89 A

Power cord length

70 7/8 "

Voltage (V)

110 V



Not included accessories

KITCABLE90UK

Cable with IEC connector and UK plug

Symbols glossary (TT)



The automatic defrost system works by automatically defrosting at regular intervals eliminating the need to defrost altogether.



LED interior lighting: is a more energy efficient and long lasting way of illuminating the interior of the appliance.