



## 30" Single Electric Wall Oven

Single Wall Oven

Available Products: FCWS3025AS

Version: 01/25

## Product Specifications

### Cooking Controls

Bake	Yes
Broil	Yes
Cancel	Yes
Clock	Yes
Keep Warm	Yes
Kitchen Timer	Yes
Light	Yes
Oven Light	Yes
Preheat	Yes
Self Clean	Yes

### Oven

Bake Element	2500 Watts
Bake Element Pass	8
Bake Element Type	Hidden
Broil Element	4000 Watts
Broil Element Pass	6
Broil System	Yes
Oven Interior Color	Midnight Black
Oven Light Quantity	1
Oven Light Type	Halogen
Oven Light Watts	40 Watts
Rack Position Type	Embossed
Rack Type 1	Flat
Rack Type 1 Quantity	2

### Display

Display Interface Color	White
Display Light Color	White
Display Type	Capacitive Touch

### Electrical Specifications

Amps @ 240 Volts	20 Amps
Minimum Circuit Required	20 Amps
Voltage Rating	240 V

### General Specifications

Frigidaire Fit Promise	Yes
Prop 65 Label	Yes
Warranty - Labor	1 Year
Warranty - Parts	1 Year

### Cooking Controls Function

Change between Continuous Bake Setting or 12-Hour Energy Saving Feature	Yes
Program Fahrenheit or Celsius	Yes
Silent Control Panel	Yes

### Controls

Control Lock	Yes
Sabbath Mode	Yes

### Dimensions and Volume

Height	28"
Width	29 7/8"
Depth	25 3/16"
Depth With Door 90° Open	48 3/16"
Depth With Handle	27 3/5"
Oven Interior Height	18 1/8"
Oven Interior Width	25 1/5"
Oven Interior Depth	19 7/8"
Minimum Cutout Height	26 3/4"
Minimum Cutout Width	28 1/2"
Maximum Cutout Height	28"
Maximum Cutout Width	29"
Oven Capacity	5.3 Cu. Ft.

### Installation

Power Supply Connection Location	Top Left
----------------------------------	----------

### Certifications and Approvals

ADA Compliant	Yes
---------------	-----

**Safety Certifications and Approvals**

CSA Listed	Yes
RoHS	Yes
UL Listed	Yes

## Installation Diagram

### ELECTRIC WALL OVEN INSTALLATION INSTRUCTIONS (with cooktop combination installations)

**INSTALLATION AND SERVICE MUST BE PERFORMED BY A QUALIFIED INSTALLER.**  
**IMPORTANT: SAVE FOR LOCAL ELECTRICAL INSPECTOR'S USE.**  
**READ AND SAVE THESE INSTRUCTIONS FOR FUTURE REFERENCE.**

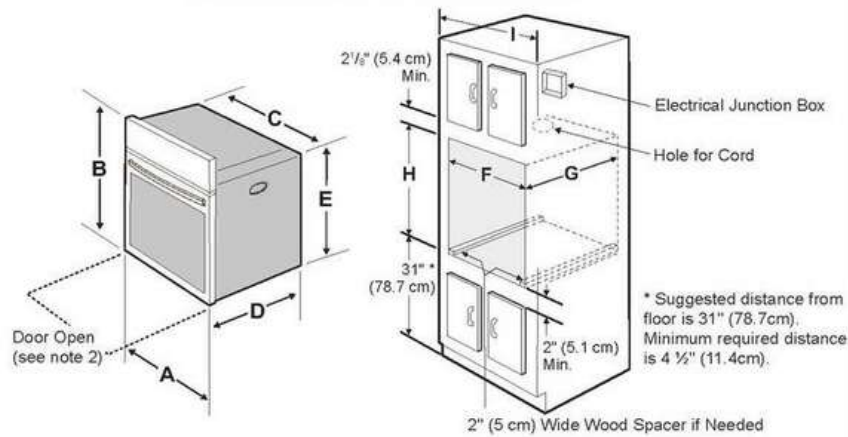
United States  
and Canada



**⚠ WARNING** FOR YOUR SAFETY: Do not store or use gasoline or other flammable vapors and liquids in the vicinity of this or any other appliance.

Your new wall oven has been designed to fit a variety of cutout sizes to make the job of installing easier. The first step of your installation should be to measure your current cutout dimensions and compare them to the cutout dimensions chart below for your model. You may find little or no cabinet work being necessary.

#### SINGLE WALL OVEN INSTALLATION



**NOTES:**

1. Allow at least 23" (58.4 cm) clearance in front of oven for door depth when it is open.
2. Dimension G (cutout depth) is critical to the proper installation of the built-in oven. If the oven trim does not butt against the cabinet, or if noise is heard on convection models, verify dimension G to assure it is the required depth.
3. For a cutout height greater than the maximum (H), add one 2" (5 cm) wide wood shim of appropriate height to each side of the opening under the appliance side rails. A trim kit may be purchased through a dealer, service, or on the brand website.

Figure 1  
30" Single Wall Ovens

PRODUCT DIMENSIONS					
A	B	C	D		E
29 1/8 (75.9 cm)	28 (71.1 cm)	28 7/16 (72.2 cm)	25 7/16 (63.9 cm)		26 (66.1 cm)
CUTOUT DIMENSIONS AND CABINET WIDTH					
F		G	H. Standard Height (**Others, see note 3)		I
Min.	Max.	Min.	Min.	Max.	
28 1/2 (72.4 cm)	29 (73.7 cm)	23 1/2 (59.7 cm)	26 1/2 (68.0 cm)	28 (71.1 cm)	30 1/8 (76.5 cm) Min

All dimensions are in inches (cm).  
Printed in U.S.A.

PN 807153708 Rev. A (2021/07)  
English – pages 1-10  
Español – páginas 11-20  
Français – pages 21-30