

**Version** FDELL70I5SS / Island 70" (180 cm) - 500 CFM  
**Collection** Design

**FEATURES AND PROPERTIES**

**Materials/Finishes** Matte black painted steel  
**Technology** SRS Speed reduction system  
**Features** Perimeter suction  
**Control** Electronic control  
 Remote control (optional)  
**Ducting type** Extracting/Filtering  
**Installation type** Island  
**Lighting** LED Strip (3000K)  
**Filters** Combined regenerable Carbon.Zeo filter (optional)  
**Ducting type**  
**Dimensions** 70 in  
**Minimum Electric hob distance** 21 in  
**Minimum Gas hob distance** 25 in  
**Notes** Availability Carbon.Zeo filter KACL.1039 for hoods produced from Sept. 2024



Photograph is for information purposes only. May not correspond to the selected version

**ELECTRICAL CONNECTION AND CONSUMPTION**

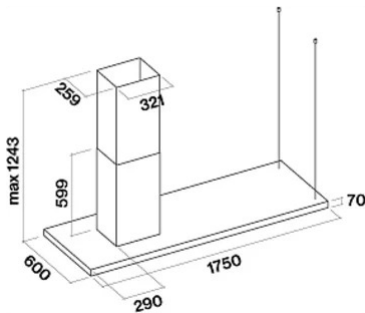
**Maximum consumption** 280 W  
**Voltage/Frequency** 110-120V 60Hz

**BLOWER PERFORMANCE**

**Motor** 500 CFM  
**Minimum sound level** 0 dB (A)re1pW I.E.C. 60704-2-13  
**Maximum sound level** 0 dB (A)re1pW I.E.C. 60704-2-13

**WEIGHTS AND DIMENSIONS**

**Gross weight** 137 lbs  
**Net weight** 114 lbs  
**Volume** 24 ft  
**Packaging dimensions** L 75 x H 20 x D29 in



**OPTIONAL ACCESSORIES**

<i>Code</i>	<i>Description</i>
105080053	Remote control
KACL.1039	Carbon.Zeo Microtech renewable filter