

<b>Version</b>	FDLUM70I5SS-2R / Island - Right 70" (90cm) - 500 CFM
<b>Collection</b>	Design

## FEATURES AND PROPERTIES

<b>Materials/Finishes</b>	Scotch brite stainless steel (AISI 304)
<b>Technology</b>	SRS Speed reduction system
<b>Features</b>	Perimeter suction LED ambient light
<b>Control</b>	Electronic control
<b>Ducting type</b>	Extracting/Filtering
<b>Chimney</b>	Available with chimney on the right side
<b>Installation type</b>	Island
<b>Lighting</b>	LED 4 x 10 W (5700 K)
<b>Filters</b>	Metallic grease filter, removable and washable Charcoal filter
<b>Ducting type</b>	
<b>Dimensions</b>	70" in
<b>Minimum Electric hob distance</b>	21 in
<b>Minimum Gas hob distance</b>	25 in
<b>Notes</b>	Active Carbon filters: FFCHASQC0BL



Photograph is for information purposes only. May not correspond to the selected version

## ELECTRICAL CONNECTION AND CONSUMPTION

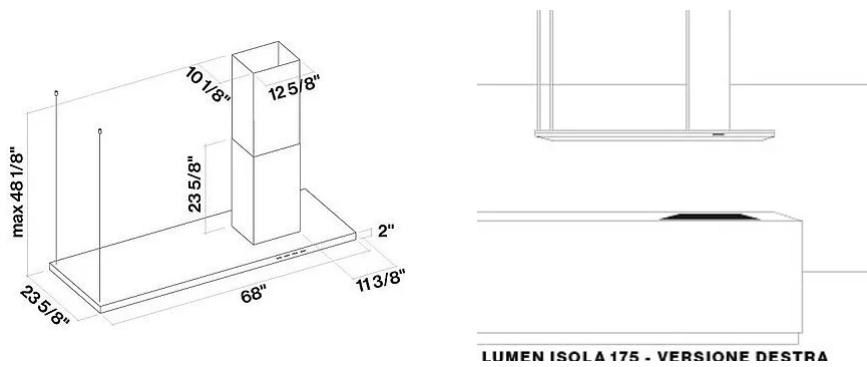
<b>Maximum consumption</b>	280 W
<b>Voltage/Frequency</b>	110-120V 60Hz
<b>Connection type</b>	Hood comes standard with Nema 5-15P power cord

## BLOWER PERFORMANCE

<b>Motor</b>	500 CFM
<b>Minimum sound level</b>	49 dB (A)re1pW I.E.C. 60704-2-13
<b>Maximum sound level</b>	61 dB (A)re1pW I.E.C. 60704-2-13

## WEIGHTS AND DIMENSIONS

<b>Gross weight</b>	131 lbs
<b>Net weight</b>	106 lbs
<b>Volume</b>	24 ft
<b>Packaging dimensions</b>	L 75 x H 19 x D29 in



## OPTIONAL ACCESSORIES

Code	Description
KACL.557#I	Extension H1200 Island - Inox
KACL.934	Carbon.Zeo filter
KACL.815	Protective cleaning cloths for stainless steel (box 10 pcs)
KACL.350	Rods extension
KACL.798#41F	Remote under-roof motor 950 m3/h
KACL.770#41F	Remote under-roof 1100 m3/h Brushless
KACL.786#41F	Outdoor extractor fan 1000 m3/h
KACL.796#4AF	Outdoor extractor fan 1500 m3/h
KACL.797#4AF	Remote under-roof motor 1300 m3/h
KACL.949#IF	Carbon.Zeo island hoods kit

## ENGINE SPECIFICATIONS

Motor speed	1	2	3	4
Noise dB(A) re1pW I.E.C. 60704-2-13	49	55	61	67
Capacity	270	360	470	670
Maximum pressure (Pa)	390	420	460	500
Motor power (W)	134	156	180	215
Air outlet	150	150	150	150

## CAPACITY / PRESSURE

