

**Version** FNPLS36I5SS-R / Island 36" (90 cm) - 500 CFM  
**Collection** Silence - NRS

**FEATURES AND PROPERTIES**

**Materials/Finishes** Scotch brite stainless steel (AISI 304)  
**Technology** NRS technology for a quieter kitchen  
 SRS Speed reduction system  
**Control** Electronic control  
**Ducting type** Extracting/Filtering  
**Installation type** Island  
**Lighting** LED 4x1,2 W - 3200 K  
**Filters** Air Falmecc filter for balanced suction  
 Carbon.Zeo Microtech renewable filter (optional)  
**Ducting type**  
**Dimensions** 36 in  
**Minimum Electric hob distance** 21 in  
**Minimum Gas hob distance** 25 in  
**Notes** Recommended mounting height from cooking surface to hood bottom: 24" - 35"  
 Availability Carbon.Zeo filter KACL.1039 for hoods produced from Sept. 2024



Photograph is for information purposes only. May not correspond to the selected version

**ELECTRICAL CONNECTION AND CONSUMPTION**

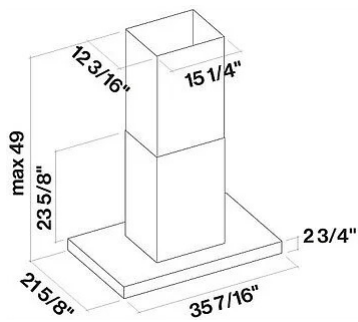
**Maximum consumption** 280 W  
**Voltage/Frequency** 110-120V 60Hz  
**Connection type** Hood comes standard with Nema 5-15P power cord

**BLOWER PERFORMANCE**

**Motor** 500 CFM  
**Minimum sound level** 37 dB (A)re1pW I.E.C. 60704-2-13  
**Maximum sound level** 46 dB (A)re1pW I.E.C. 60704-2-13

**WEIGHTS AND DIMENSIONS**

**Gross weight** 109 lbs  
**Net weight** 93 lbs  
**Volume** 22 ft  
**Packaging dimensions** L 43 x H 27 x D35 in



## OPTIONAL ACCESSORIES

<b>Code</b>	<b>Description</b>
KACL.921	High Performance Filter
KACL.572#I	Extension H1200 Island - Inox
KACL.815	Protective cleaning cloths for stainless steel (box 10 pcs)
KACL.400	Silent / Conveyor NRS
KACL.1039	Carbon.Zeo Microtech renewable filter

**ENGINE SPECIFICATIONS**

Motor speed	1	2	3	4
Noise dB(A) re1pW I.E.C. 60704-2-13	37	41	46	54,5
Capacity	220	290	375	610
Maximum pressure (Pa)	390	440	490	510
Motor power (W)	130	150	178	224
Air outlet	150	150	150	150

**CAPACITY / PRESSURE**

