

**Version** FNPLS48W5SS-R / Wall 18" (120 cm) - 500 CFM  
**Collection** Silence - NRS

**FEATURES AND PROPERTIES**

**Materials/Finishes** Scotch brite stainless steel (AISI 304)  
**Technology** NRS technology for a quieter kitchen  
 SRS Speed reduction system

**Features** Automatic shut-off timer  
 Clean filter reminder

**Control** Electronic control

**Ducting type** Extracting/Filtering

**Installation type** Wall

**Filters** Top filter, removable and washable  
 Combined Carbon.Zeo filter, regenerable

**Ducting type**

**Dimensions** 48 in

**Minimum Electric hob distance** 21 in

**Minimum Gas hob distance** 25 in

**Notes** Recommended mounting height from cooking surface to hood bottom: 24" - 35"

Availability Carbon.Zeo filter KACL.1039 for hoods produced from Sept. 2024



Photograph is for information purposes only. May not correspond to the selected version

**ELECTRICAL CONNECTION AND CONSUMPTION**

**Maximum consumption** 280 W

**Voltage/Frequency** 110-120V 60Hz

**BLOWER PERFORMANCE**

**Motor** 500 CFM

**Minimum sound level** 0 dB (A)re1pW I.E.C. 60704-2-13

**Maximum sound level** 0 dB (A)re1pW I.E.C. 60704-2-13

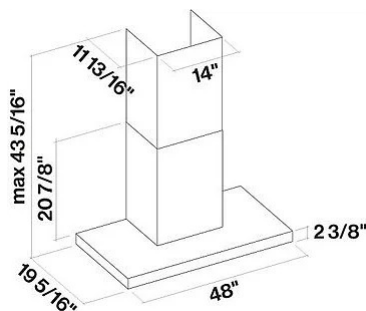
**WEIGHTS AND DIMENSIONS**

**Gross weight** 95 lbs

**Net weight** 80 lbs

**Volume** 19 ft

**Packaging dimensions** L 52 x H 26 x D24 in



## **OPTIONAL ACCESSORIES**

<i>Code</i>	<i>Description</i>
KACL.570#I	Extension H700 Wall - Inox
KACL.571#I	Extension H960 Wall - Inox
KACL.1039	Carbon.Zeo Microtech renewable filter