

**Version** FNPLS30W5SS-R / Wall 30" (76 cm) - 500 CFM  
**Collection** Silence - NRS

**FEATURES AND PROPERTIES**

**Materials/Finishes** Scotch brite stainless steel (AISI 304)  
**Technology** NRS technology for a quieter kitchen  
 SRS Speed reduction system

**Control** Electronic control

**Ducting type** Extracting/Filtering

**Installation type** Wall

**Lighting** Led 2x1,2 W - 3200 K

**Filters** Air Falmec filter for balanced suction  
 Combined Carbon.Zeo filter, regenerable

**Ducting type**

**Dimensions** 30 in

**Minimum Electric hob distance** 21 in

**Minimum Gas hob distance** 25 in

**Notes** Recommended mounting height from cooking surface to hood bottom: 24" - 35"

Availability Carbon.Zeo filter KACL.1039 for hoods produced from Sept. 2024



Photograph is for information purposes only. May not correspond to the selected version

**ELECTRICAL CONNECTION AND CONSUMPTION**

**Maximum consumption** 280 W

**Voltage/Frequency** 110-120V 60Hz

**Connection type** Hood comes standard with Nema 5-15P power cord

**BLOWER PERFORMANCE**

**Motor** 500 CFM

**Minimum sound level** 37 dB (A)re1pW I.E.C. 60704-2-13

**Maximum sound level** 46 dB (A)re1pW I.E.C. 60704-2-13

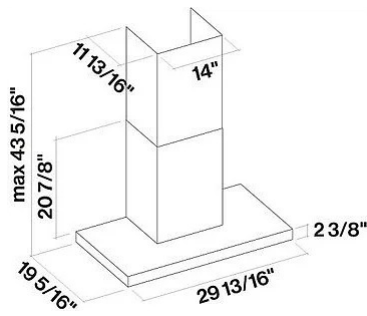
**WEIGHTS AND DIMENSIONS**

**Gross weight** 80 lbs

**Net weight** 69 lbs

**Volume** 16 ft

**Packaging dimensions** L 40 x H 30 x D24 in



### OPTIONAL ACCESSORIES

<b>Code</b>	<b>Description</b>
KACL.921	High Performance Filter
KACL.570#I	Extension H700 Wall - Inox
KACL.571#I	Extension H960 Wall - Inox
KACL.815	Protective cleaning cloths for stainless steel (box 10 pcs)
KACL.400	Silent / Conveyor NRS
KACL.1039	Carbon.Zeo Microtech renewable filter

## ENGINE SPECIFICATIONS

Motor speed	1	2	3	4
Noise dB(A) re1pW I.E.C. 60704-2-13	37	41	46	54,5
Capacity	220	290	375	610
Maximum pressure (Pa)	390	440	490	510
Motor power (W)	130	150	178	224
Air outlet	150	150	150	150

## CAPACITY / PRESSURE

