

Version FNPYR30W6SS / Wall 30" (76cm) - 600 CFM
Collection Silence - NRS

FEATURES AND PROPERTIES

Materials/Finishes Scotch brite stainless steel (AISI 304)
Technology NRS technology for a quieter kitchen
Features Automatic shut-off timer
 Clean filter reminder
Control Touch control
Ducting type Extracting/Filtering
Installation type Wall
Lighting LED Strip (3000K)
Filters Charcoal filter (optional)
 Professional Baffle Filters
Ducting type
Dimensions 30 in
Minimum Electric hob distance 21 in
Minimum Gas hob distance 25 in
Notes Recommended mounting height from cooking surface to hood bottom: 24" - 35"



Photograph is for information purposes only. May not correspond to the selected version

ELECTRICAL CONNECTION AND CONSUMPTION

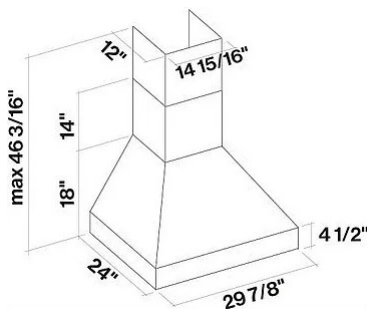
Maximum consumption 340 W
Voltage/Frequency 110-120V 60Hz
Connection type Hood comes standard with Nema 5-15P power cord

BLOWER PERFORMANCE

Motor 600 CFM
Minimum sound level 0 dB (A)re1pW I.E.C. 60704-2-13
Maximum sound level 0 dB (A)re1pW I.E.C. 60704-2-13

WEIGHTS AND DIMENSIONS

Gross weight 109 lbs
Net weight 87 lbs
Volume 25 ft
Packaging dimensions L 41 x H 28 x D39 in



OPTIONAL ACCESSORIES

| <i>Code</i> | <i>Description</i> |
|-------------|--|
| KACL.948#IF | Filter unit for t-shaped wall hoods |
| KACL.953#BF | Carbon.Zeo filter unit kit for ceiling (vertical outlet) |