



<i>EAN code</i>	<b>8034122370583</b>
<i>Model Code</i>	<b>FPERO36U6SS-R 10" Pro Style undercabinet- 36" (90 cm) - 600 CFM</b>
<i>Collection</i>	<b>Potenza</b>

## FEATURES AND PROPERTIES

<i>Materials/Finishes</i>	<b>Scotch brite stainless steel</b>
<i>Lighting</i>	<b>Strip LED Dynamic Light (2700K - 5600K)</b>
<i>Control</i>	<b>Electronic control</b>
<i>Installation type</i>	<b>Insert</b>
<i>Ducting type</i>	<b>External ducting/Recirculating</b>
<i>Filters</i>	<b>Baffle filter, removable and dishwasher safe Charcoal filter (optional)</b>
<i>Dimensions</i>	<b>36 in</b>
<i>Features</i>	<b>SRS Speed reduction system</b>

## OPTIONAL ACCESSORIES

<b>Code</b>	<b>Description</b>
103050091	FFCHAR3C0BL - Round charcoal filter Ø 6" - Type 6
KACL.798#21F	FDNUVMTR600 - Motor 600 CFM for North America
KACL.815	Protective cleaning cloths for stainless steel (box 10 pcs)

**ELECTRICAL CONNECTION AND CONSUMPTION**

Maximum consumption 340W  
 Voltage/Frequency 110-120V 60Hz  
 Connection type Hood comes standard with Nema 5-15P power cord

**BLOWER PERFORMANCE**

Motor 600 CFM

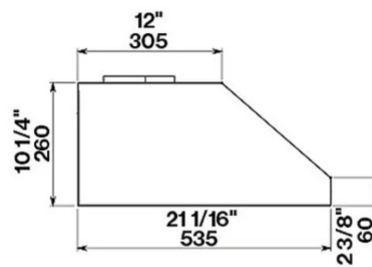
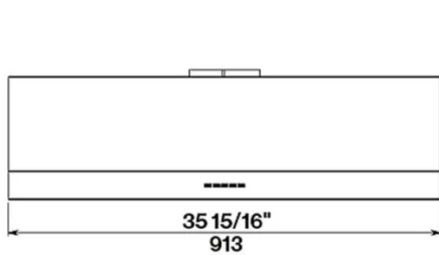
**TECNICAL SPECS OF COOKERHOOD WITH 600 CFM MOTOR**

Motor Speed	SRS 2*		SRS 3*	
	1	2	3	4
CFM (rated at the motor)	210	295	395	600
Sones (estimated value)	1.5	3	4.25	6
Duct Size	6"	6"	6"	6"

\*If activated SRS has 2 settings; 3 speed max & 2 speed max

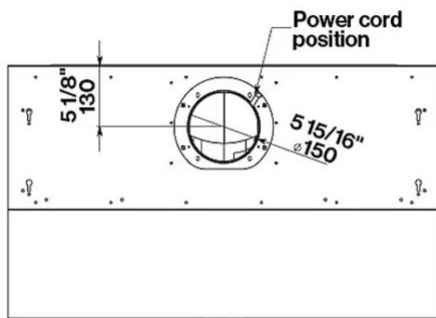
**WEIGHTS AND DIMENSIONS**

Gross weight 51 lbs  
 Net weight 37 lbs  
 Packaging dimensions L 41 in H 15 in D 30 in  
 Notes Recommended mounting height from cooking surface to hood bottom: 24" - 35"



Frontal view

Side view



Top view