

Version	FPMER30W3SS / Mercurio Wall 30" (76 cm) 280 CFM
Collection	Potenza

FEATURES AND PROPERTIES

Materials/Finishes	Scotch brite stainless steel
Control	Electronic control
Ducting type	Extracting/Filtering
Installation type	Wall
Lighting	Led 2x1,2 W - 3200 K
Filters	Metallic grease filter, removable and washable Charcoal filter (optional)
Ducting type	
Dimensions	30 in
Minimum Electric hob distance	21 in
Minimum Gas hob distance	25 in



Photograph is for information purposes only. May not correspond to the selected version

ELECTRICAL CONNECTION AND CONSUMPTION

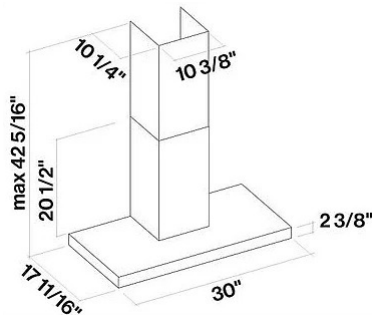
Maximum consumption	150 W
Voltage/Frequency	110-120V 60Hz
Connection type	Hood comes standard with Nema 5-15P power cord

BLOWER PERFORMANCE

Motor	280 CFM
Minimum sound level	0 dB (A)re1pW I.E.C. 60704-2-13
Maximum sound level	0 dB (A)re1pW I.E.C. 60704-2-13

WEIGHTS AND DIMENSIONS

Gross weight	45 lbs
Net weight	31 lbs
Volume	11 ft
Packaging dimensions	L 40 x H 21 x D24 in



OPTIONAL ACCESSORIES

Code	Description
KACL.815	Protective cleaning cloths for stainless steel (box 10 pcs)
103050107	FFCHASQC0BL - Square charcoal filter - Type 3