

FPRO30COVTX

PROFESSIONAL SERIES

30" COMBINATION WALL OVEN IN STAINLESS STEEL

MAIN OVEN WITH STEAM ASSIST, SELF-CLEAN AND BERTAZZONI ASSISTANT



Combo Oven for Maximum Versatility

The Combo includes a combination of a traditional oven in the main cavity with a microwave speed oven microwave in the upper cavity. This innovation provides users with all available cooking techniques, ensuring maximum flexibility in the kitchen. With the Combo oven, users can efficiently switch between traditional baking, roasting, and rapid microwave cooking, optimizing time and enhancing meal preparation possibilities.

Steam Assist Cooking for Superior Results

This function enhances cooking by integrating steam into traditional baking and roasting, with three adjustable intensity levels. It delivers crispy exteriors and tender, perfectly cooked interiors while preserving natural flavors and nutrients. The removable 1L water tank, conveniently located in the door, allows for easy refilling and maintenance.

Bertazzoni Assistant with integrated Food Probe

This cooking assistant streamlines meal preparation by managing settings based on selected recipes. The wired food probe guarantees precise internal temperature control, allowing users to choose their desired doneness level for meats, ensuring optimal flavor and tenderness.

Expanded Capacity and Enhanced Installation Flexibility

The newly designed oven offers a spacious 4.8 cu.ft. cavity, increasing capacity by 17% compared to previous models. The microwave has also been expanded to 1.6 cu.ft., a 23% increase.

Enhanced Full Touch TFT Display

The 8.8-inch high-resolution display ensures effortless navigation, featuring an intuitive interface that guides users step by step through cooking functions. This seamless user experience makes even the most advanced cooking techniques accessible to all.

PRODUCT FEATURES

Oven type	Combination Wall Oven
Microwave Oven Power Rating (Rating at 240 V)	Bake: 2550 W Broiler: 2500 W Convection: 1800 W Microwave: 2000W
Main Oven Power Rating (Rating at 240 V)	Bake: 3500 W Broiler: 3400 W Convection: 2420 W
Oven Volume	4.8 cu.ft.
Microwave Volume	1.6 cu.ft.
Convection System	1 Fan
User interface	Full Touch 8.8" TFT display
Auto cooking modes	Yes - Bertazzoni Assistant
Food temperature probe	Yes
Bertazzoni Mobile App	Yes
Cooking modes (Main Oven)	Bake, Broil, Convection, Convection bake, Convection broil, Convection roast, Pizza, Air Fry
Special features (Main Oven)	Steam Assist, Dehydrate, Proofing, Warming 149 °F, Warming 199 °F, Reheat 248 °F, Sabbath mode
Cooking modes (Microwave)	Microwave, Defrost, Popcorn, Pizza, Beverage, Potatoes, Ice Cream
Cleaning	Self Clean, Eco Clean, Hydro Clean, Descale
Shelf levels (Main Oven)	7
Door hinges	Double Soft Closing
Included accessories (Microwave Cavity)	1 trivet + 1 glass tray
Included accessories (Oven cavity)	2 wire shelf flat + 1 wire shelf shaped 2 set of telescopic glides 1 baking tray with roasting trivet 1 air frying basket

TECHNICAL SPECIFICATIONS

Electrical supply	120/240 V 60HZ - 11000 W 120/208 V 60 HZ 8800 W 50 Amp dedicated circuit
Power connection	Metal conduit with 59" power cord
Certification	cULus
Warranty	2 years parts & labor
Product dimensions	W: 29 7/8" H: 42" D: 24 1/2"
Cut out dimensions	W: 28 1/2" H: 41 1/2" D: 24 5/8"
Packaging dimensions and weight	W: 33 1/2" H: 50 1/2" D: 30" 412.5 lbs

FPRO30COVTX

PROFESSIONAL SERIES

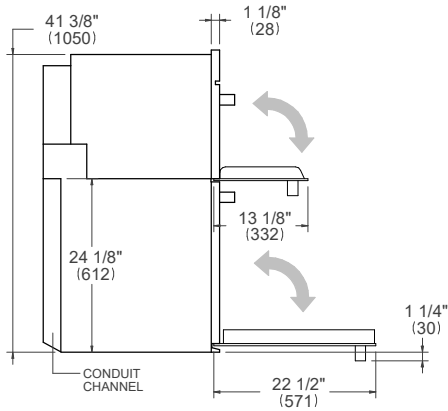
30" COMBO ELECTRIC CONVECTION OVEN IN STAINLESS STEEL

MAIN OVEN WITH STEAM ASSIST, SELF-CLEAN AND BERTAZZONI ASSISTANT

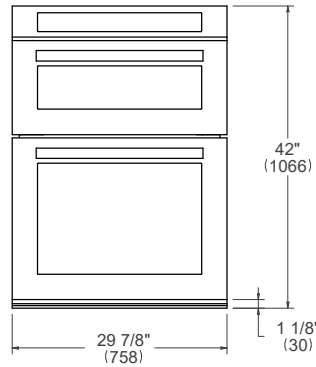


PRODUCT DIMENSIONS

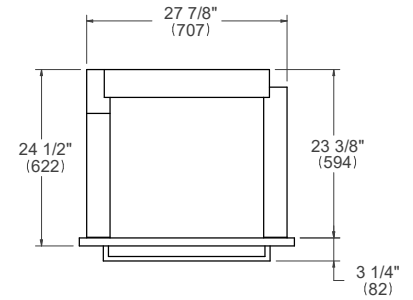
SIDE VIEW



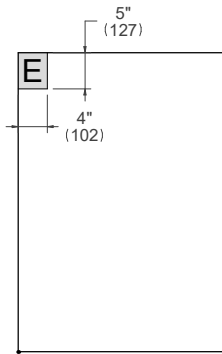
FRONT VIEW



TOP VIEW



ELECTRICAL CONNECTION



E

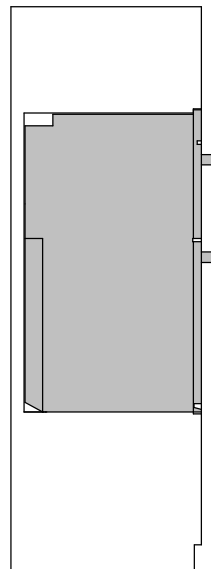
For single ovens installed into a wall cabinet, the electrical junction box may be located above, below to the left or right of the unit within reach of the power cord. Placement within the opening may require additional cabinet depth.

INSTALLATION REQUIREMENTS

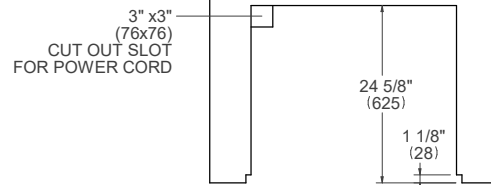
Minimum suggested load on cabinet base board 300 lb (125 kg)

CUTOUT DIMENSIONS

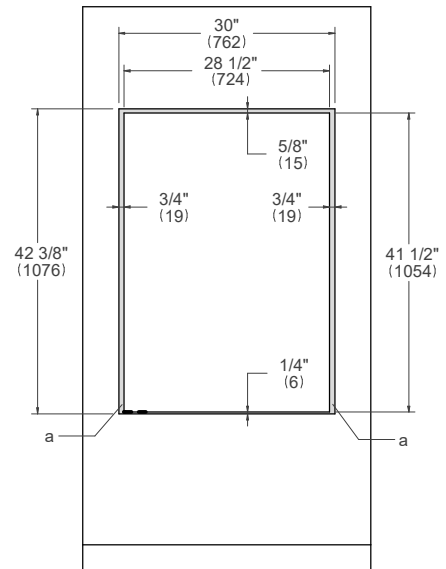
SIDE VIEW



TOP VIEW



FRONT VIEW



(a) Visible Area – Match finish to cabinetry

For installation of multiple products in combination, refer to the Design Guide at us.bertazzoni.com or ca.bertazzoni.com

Disclaimer: while every effort has been made to ensure the accuracy of the information contained in this document, Fratelli Bertazzoni reserves the right to change it at any time without notice. For detailed installation instructions, consult the installation manual. Fratelli Bertazzoni, Bertazzoni and the winged wheel brand icon are registered trademarks of Bertazzoni Spa.