

FPRO30COVTX

PROFESSIONAL SERIES

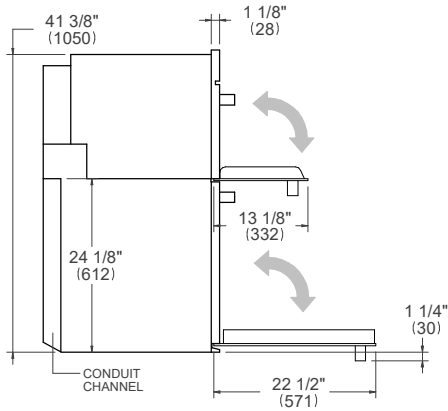
30" COMBO ELECTRIC CONVECTION OVEN IN STAINLESS STEEL

MAIN OVEN WITH STEAM ASSIST, SELF-CLEAN AND BERTAZZONI ASSISTANT

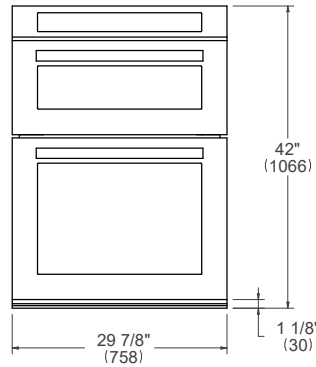


PRODUCT DIMENSIONS

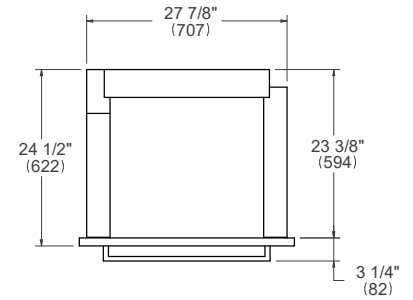
SIDE VIEW



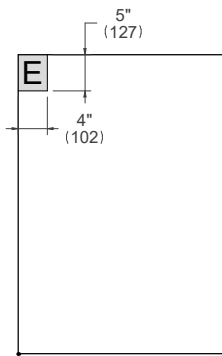
FRONT VIEW



TOP VIEW



ELECTRICAL CONNECTION



E

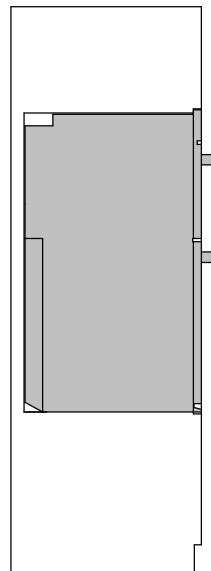
For single ovens installed into a wall cabinet, the electrical junction box may be located above, below to the left or right of the unit within reach of the power cord. Placement within the opening may require additional cabinet depth.

INSTALLATION REQUIREMENTS

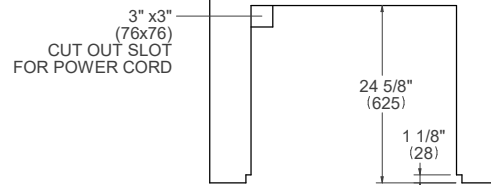
Minimum suggested load on cabinet base board 300 lb (125 kg)

CUTOUT DIMENSIONS

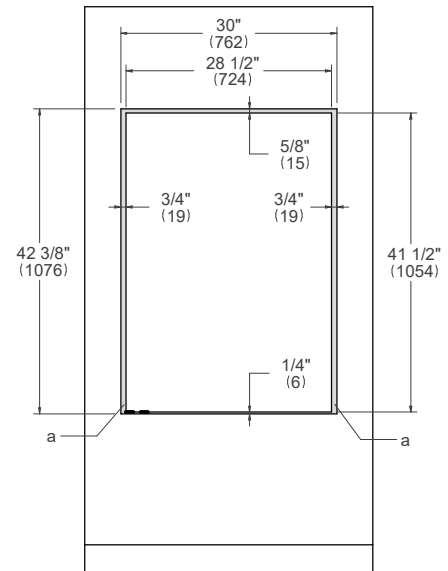
SIDE VIEW



TOP VIEW



FRONT VIEW



(a) Visible Area – Match finish to cabinetry

For installation of multiple products in combination, refer to the Design Guide at us.bertazzoni.com or ca.bertazzoni.com

Disclaimer: while every effort has been made to ensure the accuracy of the information contained in this document, Fratelli Bertazzoni reserves the right to change it at any time without notice. For detailed installation instructions, consult the installation manual. Fratelli Bertazzoni, Bertazzoni and the winged wheel brand icon are registered trademarks of Bertazzoni Spa.