



EN	USER AND MAINTENANCE MANUAL 30" STEAM ASSIST ELECTRIC WALL OVEN 30" STEAM ASSIST ELECTRIC DOUBLE WALL OVEN	3
FR	MANUEL D'UTILISATION ET D'ENTRETIEN FOUR MURAL ÉLECTRIQUE À VAPEUR ASSISTÉE DE 76 CM (30 PO) FOUR MURAL ÉLECTRIQUE DOUBLE À VAPEUR ASSISTÉE DE 76 CM (30 PO)	41
ES	MANUAL DE USO Y MANTENIMIENTO HORNO ELÉCTRICO DE PARED CON ASISTENCIA DE VAPOR 30" HORNO ELÉCTRICO DOBLE DE PARED CON ASISTENCIA DE VAPOR 30"	83

FROM THE DESK OF OUR PRESIDENT

Dear new owner of a Bertazzoni appliance,

I want to thank you for choosing one of our beautiful products for your home.

My family started manufacturing kitchen appliances in Italy in 1882, building a reputation for quality of engineering and passion for good food.

Today, our products stand out because of their unique blend of authentic Italian design and superior appliance technology. It is our mission to make products that function perfectly and bring joy to their owners.

By making beautiful products we respond to our customers' flair for good design. By making them versatile and easy-to-use, cooking with Bertazzoni becomes a real pleasure.

This manual will help you learn to use and care for your Bertazzoni appliance in the safest and most effective way, so that it can give you the highest satisfaction for years to come.

Enjoy!

Paolo Bertazzoni

President

A handwritten signature in black ink that reads "Paolo Bertazzoni". The signature is written in a cursive, flowing style with a vertical line extending upwards from the start of the name.

VALIDITY OF USER MANUAL

This user manual is valid for the following product codes:

- FPRO30FSVTC
- FPRO30FSVTX
- FPRO30FDVTC
- FPRO30FDVTX

CONTENTS

GENERAL INFORMATION	9
WARNINGS	9
MANUFACTURER LIABILITY	9
GENERAL SAFETY INFORMATION	9
CHILD SAFETY	10
GENERAL COOKING SAFETY	10
OVEN COOKING SAFETY	11
OVEN CLEANING SAFETY	12
APPLIANCE WARNINGS	12
REMOTE OPERATION	12
TV / RADIO INTERFERENCE	12
BEFORE FIRST USE	13
USING THE OVEN	14
CONTROL PANEL	14
USING THE TOUCH CONTROLS	14
HOME MENU	15
SETTINGS	15
AUTOMATIC SWITCH-OFF	15
IOT	16
OVEN FUNCTIONS	17
SHELF POSITIONS	17
COOLING FAN	17
PREHEATING THE OVEN	17
USING THE OVEN	18
QUICK START	18
OVEN COOKING MODES	18
BAKE	18
CONVECTION BAKE (STEAM ASSIST AVAILABLE)	19
CONVECTION (STEAM ASSIST AVAILABLE)	19
BROIL	19
CONVECTION BROIL (STEAM ASSIST AVAILABLE)	19
CONVECTION ROAST (STEAM ASSIST AVAILABLE)	19
PIZZA (STEAM ASSIST AVAILABLE)	19
AIR FRY	19
MORE	20
CONDENSATION	20
USING ALUMINUM FOIL IN THE OVEN	20
GETTING THE BEST RESULTS	21
SAVING ENERGY	21
OVEN COOKING RECOMANDATIONS	21
AIR FRY RECOMANDATIONS	22
BROILING RECOMANDATIONS	23
TROUBLESHOOTING COMMON PROBLEMS WITH OVEN COOKING	24
TIME FUNCTION	25
STEAM	27
PUMP	27
WATER RESERVOIR	28
ASSISTANT	29
CLEAN	30
SELF CLEAN AND ECO SELF CLEAN	30
CLEANING	30
BEFORE SELF CLEANING THE OVEN	30
REMOVE RACKS	31

CONTENTS

REMOVE WATER RESERVOIR	31
SELF-CLEAN CYCLE START	31
WHEN THE CYCLE ENDS THE OVEN UNLOCK THE DOOR	31
HYDROCLEAN	31
BEFORE HYDROCLEANING THE OVEN	32
DESCALE (ONLY STEAM ASSISTED OVEN CAVITY)	32
TELESCOPIC GLIDES	33
TELESCOPIC GLIDES (IF AVAILABLE)	33
FITTING THE GLIDES	33
REMOVING THE GLIDES	33
SIMPLE MAINTENANCE	34
REPLACING OVEN LIGHTS	34
MAIN CAVITY	34
REPLACING RESERVOIR SEAL	35
KEEP YOUR BERTAZZONI OVEN CLEAN	36
CLEANING STAINLESS STEEL	36
CLEANING PAINTED SURFACES	36
CLEANING GLASS SURFACES	36
CLEANING THE BROILER PAN	36
CLEANING THE OVEN CAVITY	36
CLEANING OVEN RACKS AND SUPPORTS	36
TROUBLESHOOTING	37
CUSTOMER CARE	39

GENERAL INFORMATION

WARNINGS

This user manual is an integral part of the appliance, Read and follow all instructions before using this appliance to prevent the potential risk of fire, electric shock, personal injury or damage to the appliance as a result of improper usage of the appliance. Use appliance only for its intended purpose as described in this manual.

Save this Manual for local electrical inspector's use. Read and save these instructions for future reference. Observe all governing codes, ordinances and regulations.



WARNING

Warning and Important Safety Instructions appearing in this manual are not meant to cover all possible conditions and situations that may occur. Common sense, caution, and care must be exercised when installing, maintaining, or operating the appliance.



IMPORTANT

THIS APPLIANCE IS DESIGNED FOR NON- PROFESSIONAL, DOMESTIC USE.

Use the oven only for preparing meals.

TO ENSURE PROPER AND SAFE OPERATION

- Install or locate this appliance only in accordance with the provided installation instructions.
- Appliance must be properly installed and grounded by a qualified technician.
- Children and adults can tip over the oven if it has not been secured. This may lead to fatal injuries.
- DO NOT attempt to adjust, repair, service, or replace any part of your appliance unless it is specifically recommended in this manual.
- All other servicing should be referred to a qualified servicer authorized by the manufacturer
- To prevent possible damage to cabinets and cabinets finishes, use only materials and finishes that will not discolor or delaminate and will withstand temperatures up to 200°F (93°C). Heat resistant adhesive must be used if the product is to be installed in laminated cabinetry. Check with your builder or cabinet supplier to make sure that the materials meet these requirements.
- Have the installer show to the customer the location of the circuit breaker or fuse and how to shut it off in an emergency.
- The oven is not designed to operate with external timers or remote control systems different from Bertazzoni App.
- Do not operate the oven if it is damaged. It is particularly important that the oven door close properly

MANUFACTURER LIABILITY

The manufacturer shall bear no liability for property damage or personal injury due to:

- Use of the appliance other than that specified.
- Failure to comply with the instructions in the user manual.
- Tampering with/unauthorized modifications to any part of the appliance.
- The use of non-genuine spare parts.
- This appliance is intended for cooking food in the home environment. Any other use shall constitute misuse.

GENERAL SAFETY INFORMATION



DANGER

NEVER use appliance as a space heater to heat or warm a room to prevent potential hazard to the user and damage to the appliance. Also, DO NOT use the oven as a storage area for food or cooking utensils.



WARNING

Be sure all packing materials are removed from the appliance before operating it.



WARNING

Never let clothing, potholders, or other flammable materials come in contact with or too close to any heating element.



WARNING

DO NOT drape towels or materials on oven door handles. These items could ignite and cause burns.



WARNING

Never use your oven as a storage space. Combustible items (paper, plastic, etc.) may ignite and metallic items may become hot and cause burns.



WARNING

If materials inside an oven should ignite, keep door closed. Turn off the appliance and shut off the power at the circuit breaker panel



WARNING

NEVER pick up or move a flaming pan.

If available use a multipurpose dry chemical or foam type extinguisher.

Do not use water.

GENERAL INFORMATION

CHILD SAFETY

This appliance is not intended for use by persons (including children) whose physical, sensory or mental capabilities are different or are reduced, or lack of experience or knowledge, unless such persons receive supervision or training for the operation of the appliance by a person responsible for their safety.

- Do not hang on door or allow children to swing on doors.
- NEVER leave children alone or unsupervised near the appliance when it is in use or is still hot.
- NEVER allow children to sit or stand on any part of the appliance as they could be injured or burned.
- DO NOT store items of interest to children over the unit. Children climbing to reach those items could be seriously injured.

GENERAL COOKING SAFETY

- In the event of breakage or cracking in the glass, shut off the oven immediately and disconnect it from the power supply. Contact technical support.
- Do not operate the appliance with wet hands or when it is in contact with water.
- Any discoloration of the enamel will not affect the oven's performance.
- Magnets can cause scratches. Do not use the stainless steel surface as a magnetic notice board.
- The use of the cooking appliance results in the production of heat and moisture in the room in which it is installed. Ensure that the kitchen is well-ventilated. Keep natural venting holes open or install a mechanical ventilation device. Prolonged or intensive use of the appliance may call for additional (such as opening a window) or more effective ventilation (such as increasing the level of a mechanical ventilation if present).
- Once the unit has been installed as outlined in the Installation Instructions, it is important that the fresh air supply is not obstructed. Do not obstruct ventilation openings and heat dispersal slots.
- Do not insert anything in the slots.
- Do not use aerosol sprays in the vicinity of this appliance while it is in operation
- During use the appliance get hot. DO NOT touch the oven door glass or the oven door panels.
- Use care when opening the oven door. Let hot air or steam escape before moving or replacing food.



WARNING

Accessible parts may become very hot during use. Care should be taken to avoid touching heating elements inside the oven

- Use only dry potholders. Moist or damp potholders on hot surfaces may result in burns from steam. Do not let potholder touch hot surface areas. Do not use a towel or other bulky cloth.
- ALWAYS place oven racks in the desired positions while oven is cool.
- ALWAYS avoid reaching into the oven to add or remove food. If a rack must be moved while hot, use a dry pot-holder
- During and after use, DO NOT touch or let clothing or other flammable materials contact heating elements, areas near elements, or interior surfaces of oven until they have had sufficient time to cool. Other surfaces of the oven may become hot enough to cause burns, such as the oven vent opening, the surface near the vent opening, and the oven door window.

GENERAL INFORMATION

Birds have very sensitive respiratory systems. Keep pet birds out of the kitchen or other rooms where kitchen fumes can reach them.

OVEN COOKING SAFETY

- The misuse of the oven door (e.g. stepping, sitting, or leaning on them) can result in hazards or injuries and damage to the product.
- Do not apply pressure to the open door.
- Do not use oven door as a work surface or shelf.
- Keep doors shut unless necessary for cooking or cleaning purposes.
- Do not keep the oven door opened to faster the cooling down the oven
- Ensure that there are no trapped objects which could prevent the oven door from shutting.
- Sudden and extreme changes in temperature can cause the glass to break – never pour cold liquids onto the oven door.
- Remove any food residue from inside the oven before using the appliance in order to prevent fires and smoking.
- DO NOT cook directly on the oven bottom. This could result in damage to your appliance. Always use the oven racks when cooking in the oven.
- NEVER use aluminum foil to cover oven racks or oven bottom. This could result in risk of electric shock, fire, or damage to the appliance. Foil can cause oven enamel to craze and/or crack. Use foil only as directed in this guide.
- DO NOT heat unopened food containers, buildup of pressure may cause the container to explode and result in injury.
- Damaged containers, or those which are unsuitably small, can lead to serious injuries.
- NEVER let a pan boil dry as this could damage the utensil and the appliance.
- Do not place heat-resistant cookware or other objects directly onto the oven's interior surface.
- Plastic containers not designed for high temperatures could melt, damaging the oven or even catching fire.
- Do not use plastic to cover food. Use foil or oven-safe lids only.
- Do not place water directly inside the hot oven.
- Do not store moist dishes and food inside the oven after completing cooking.
- ALWAYS let quantities of hot fat used for deep fat frying cool before attempting to move or handle.
- Take great care when cooking food with a high alcohol content, as this could cause a fire.
- Fruit juice or any sugary liquids or syrup can cause indelible staining to enamel surface; use deep dishes to prevent leakage. Wipe off any drop before the successive cooking cycle.
- Follow the manufacturer's directions when using oven cooking bags.

GENERAL INFORMATION

- For very wet cake batters, use a dripping pan.
- ALWAYS turn the oven off at the end of cooking.
- After cooking, keep the door closed while the oven is cooling down to prevent damaging adjacent kitchen units.
- Let hot cookware and utensils cool in a safe place, out of reach of children.
- Do not clean the appliance while it is still hot.

OVEN CLEANING SAFETY

- Turn off all controls and wait for appliance parts to cool before touching or cleaning them.
- Clean the oven with caution. Avoid steam burns; DO NOT use a wet sponge or cloth to clean the range while it is hot. Some cleaners produce noxious fumes if applied to a hot surface. Follow directions provided by the cleaner manufacturer.
- DO NOT clean, rub, damage, move or remove the door gasket. It is essential for a good seal during baking. If the gasket becomes worn or excessively soiled with food particles, replace gasket to assure a tight seal.
- DO NOT touch a hot oven light bulb with a damp cloth as the bulb could break. Should the bulb break, disconnect power to the appliance before removing bulb to avoid electrical shock.
- During the Self-Clean cycle, exterior surfaces may become hotter than usual.
- If there is an oven fire during self-cleaning, turn the oven off, and wait for the fire to die. Do not force the door open. Introducing fresh air at self-cleaning temperatures may cause flames to burst from the oven, causing severe burns.
- During the elimination of soil during self-cleaning, small amounts of carbon monoxide can be created and the fiberglass insulation could give off very small amounts of formaldehyde during the first several cleaning cycles. To minimize exposure to these substances, provide good ventilation with an open window, or use a ventilation fan or hood.

APPLIANCE WARNINGS

- When opening the oven door, be very careful of escaping steam: burn hazard!
- Do not obstruct ventilation openings and heat dispersal slots

REMOTE OPERATION

This appliance may be configurable to allow remote operation at any time.



WARNING

Do not store any flammable materials or temperature sensitive items inside, on top or near surface units of the appliance.

TV / RADIO INTERFERENCE

This appliance generates and uses ISM frequency energy. If not installed and used properly, in strict accordance with the manufacturer's instructions, it may cause interference to radio and television reception.

It has been type tested and found to comply with limits for ISM equipment pursuant to part 18 of FCC rules, which are designed to provide reasonable protection against such interference in a residential installation.

However, there is no guarantee that interference will not occur in a particular installation.

Turn the appliance on and off to determine if it causes interference.

Try the following to correct the interference:

- Clean door and sealing surface of the oven.
- Reorient the receiving antenna of the radio or television.
- Relocate the microwave oven with respect to the receiver.
- Move the microwave oven away from the receiver.
- Plug the microwave into a different outlet so that the oven and the receiver are on different branch circuits.

The manufacturer is not responsible for any radio or TV interference caused by unauthorized modification to this microwave oven. It is the responsibility of the user to correct such interference.



WARNING

Burn hazard

The oven door, especially the glass, can get hot. DO NOT touch the oven door glass or the oven door panels.



WARNING

Warning-tipping hazard

Children and adults can tip over the oven if it has not been secured.

This may lead to fatal injuries.



WARNING

Cancer and Reproductiv Harm- www.P65Warnings.ca.gov.

Failure to observe the information contained in the installation instructions can lead to serious or fatal injuries for children and adults.

GENERAL INFORMATION

BEFORE FIRST USE

- Remove any protective wrap from the stainless steel.
- Remove and wash all accessories.
- Replace racks, tray and other accessories from the oven cavity
- All stainless steel parts should be wiped with hot, soapy water and with a liquid stainless steel cleanser.
- If buildup occurs, do not use steel wool, abrasive cloths, cleaners, or powders!
- If it is necessary to scrape stainless steel to remove encrusted materials, soak with hot, wet cloths to loosen the material, then use a wood or nylon scraper.
- Do not use a metal knife, spatula or any other metal tool to scrape stainless steel! Scratches are almost impossible to remove.
- Check in the user manual the instructions for telescopic grides installation
- Read user manual before using the oven
- Run the oven (main cavity in case of Combi) for 15-30 min. at 500°F in Convection Roast with Steam addition without placing any food inside (during this operation it is normal for manufacturing residue to produce some smoke and odors). – follow the program instruction to run in the right way Convection Roast program with Steam.
- Let the oven cool down.
- Open the door and air the oven out for 15 minutes.
- Clean the inside of the oven with a moist cloth and neutral detergent (do not use scouring powders).

USING THE OVEN

CONTROL PANEL

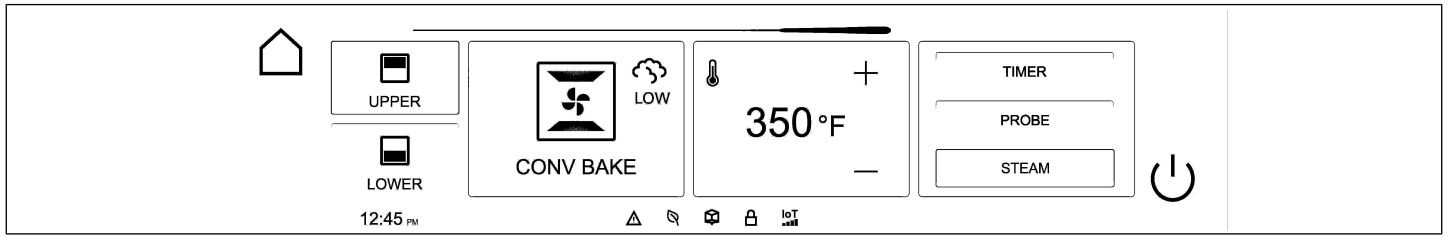






Fig. 1

The display is a touch area. Use it to navigate through the menus and manage the oven.

The selected function is colored.

The 4 touch buttons allow to select basic function.

	Home	to go back to home menu
	Back	to go back to the previous setting
	Play/Pause	to start or pause cooking function
	ON/OFF	to switch on or switch off the oven or switch off the cooking function

In the top bar is indicated preheat, timer and probe status

In the bottom bar some icons indicate the oven settings: Eco Mode, Demo Mode, Wi-Fi connection, Warning (Touching the Warning symbol a pop up shows the issue that needs to be solved)

USING THE TOUCH CONTROLS

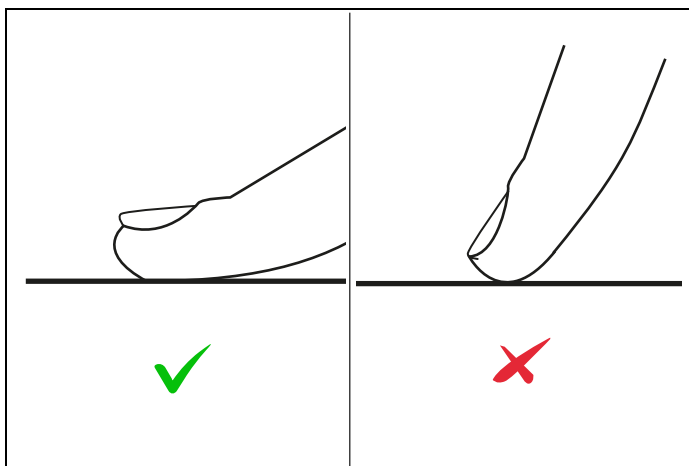


Fig. 2

- The controls respond to touch, so there is no need to apply pressure.
- Use the pad of your finger and not the tip.
- Each detected touch produces an acoustic signal.
- Make sure that the controls are always clean and dry.

USING THE OVEN

HOME MENU

During the stand-by mode the interface shows the clock.

In case of oven connected to Wi-Fi also the date is shown.

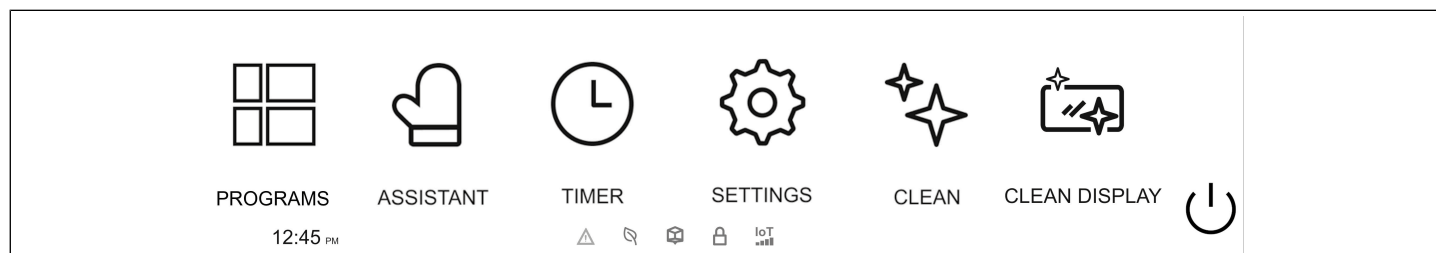


Fig. 3

In every screen touch HOME to enter in the main menu

- Programs: allows to manage oven cooking modes
- Assistant: allows to manage Bertazzoni Assistant
- Timer: allows to settle the minute minder
- Settings: allows to customize the oven
- Clean: allows to manage the cleaning modes
- Clean Display: to lock the display for 10 seconds to allow the cleaning of the front panel.

SETTINGS

The settings menu allows to customize some basic settings of the oven.

- LANGUAGE: allows to choose the language for the messages. The available languages are English (default language), French, Spanish, Italian.
- TIME: allows you to set the time display format (12 h or 24 h) and the time (if the oven is connected, the time cannot be modified)
- CONNECTIVITY: allows to connect the oven to home Wi-Fi, download the app and link your app to the oven. When the oven is connected the IOT Icon appear in the status bar. Follow the instructions on the Bertazzoni App to connect the oven.
- ECO: allows to reduce the electrical consumption of the oven. Automatically set the brightness minimum and oven light off during cooking. The oven goes in deep stand by (no time visible) after 60 sec after the end of the cooking process or oven inactivity. When this mode is on the ECO Icon appear in the status bar
- BRIGHTNESS: allows to set the brightness of the display.
- AUDIO: allows to set the volume of the oven speaker.
- SHOWROOM MODE: Allows to select DEMO mode for showrooms. In this configuration, the display works but the oven does not consume power and does not heat up. 120V connection is enough to use SHOWROOM MODE. When this mode is on the Showroom mode Icon appear in the status bar

In standby mode, touch the screen to go directly to cooking programs

AUTOMATIC SWITCH-OFF

After 5 minutes without any touch on the display, the oven enter in standby mode (showing the clock).

The cooling system will continue running after that the oven is switched off if the oven is not completely cooled down.

USING THE OVEN

IOT



Fig. 4

This appliance may be network-capable. Installing the Bertazzoni App on your mobile and connecting your appliance to the Wi-Fi allow to remote control and monitor the appliance.

In the Settings menu select CONNECTIVITY, then follow the instructions on the Bertazzoni App to connect the oven to the Wi-Fi

The IOT installation is very important in case of problem because allows also to run a self-diagnosis can through the smartphone application or by calling for support

IOT allows you also to update the appliance software with the last supported version. Same as for mobile Apps, the software update can fix bugs or unlock new oven functions.

Available update can be checked on Bertazzoni App.

Download Bertazzoni App using the QR code here below



Fig. 5

OVEN FUNCTIONS

SHELF POSITIONS

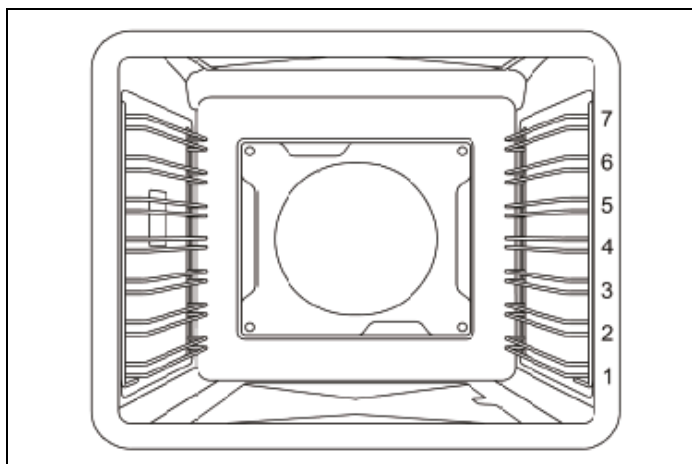


Fig. 6

Shelves are mounted on the appropriate guides situated on the sides of the oven compartment.

Insert the shelf between top and bottom guide in any of the 7 positions indicated.

COOLING FAN

The oven is equipped with a cooling system designed to prevent any touchable part of the oven from overheating.

The cooling system turns on and off automatically and operate at different power lever based on function and temperature (it is normal for this to continue running after that the oven is switched off). When the cooling system works an air flow blows from the vent trim under the oven door.

It will turn off as the temperature decreases.



NOTE

It is normal for the cooling process to push heated air out into the room when the oven is hot.

PREHEATING THE OVEN

Most cooking times in recipes are intended for a preheated oven and require that the oven already.

Be at the set temperature before placing food in the oven.

Preheating time depends on the temperature setting and on the number of racks in the oven.

The oven has an automatic fast preheating program that allow to reach quicklier the set temperature. During this phase placing food items in the oven is not recommended, since it is used partial power from the broiler.

During the preheat process a bar in the top of the display indicates the status of the preheat.

When the set temperature is reached a tune and a popup indicate that it's possible to place the food in the oven.

Fast preheat doesn't works in broil functions.

OVEN FUNCTIONS

USING THE OVEN

- 1) Place rack in desired position and shut the door.
- 2) Select the cooking program moving on the TILE of the user interface from left to right.
 - 2.1) Select the oven cavity
 - 2.2) Select function scrolling the menu
 - 2.3) Select desired temperature touching +/- (if a different temperature from the preset is needed) – it is possible to set the temperature by a number pad touching the temperature
 - 2.4) Set the level of steam (If needed in the recipe and if available according to the cooking function selected)

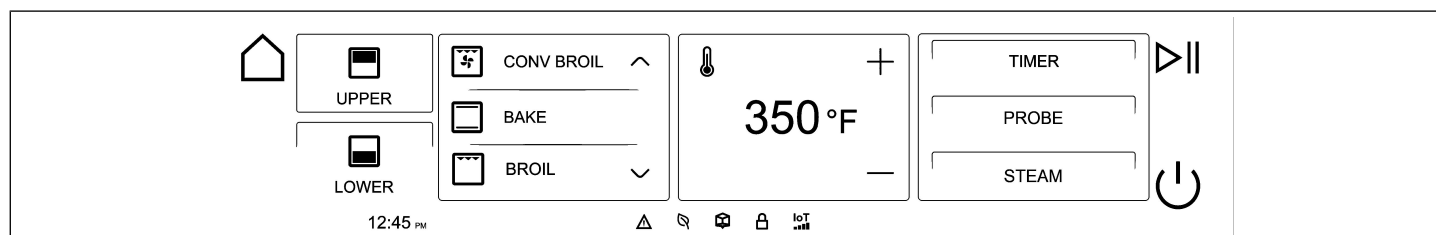


Fig. 7

The light in the cavity will turn on and the oven will start PRE-HEATING in a few seconds showing the progress in the display.

The end of pre-heating will be confirmed with a tone.

Place the food in the oven when the set temperature has been reached.

In each moment it is possible to change any setting touching the CARD you need to modify

It is possible to stop the cooking touching the icon 1/0

QUICK START

For simple recipes it is possible to start cooking only with 4 touches.

- 1) Touch display to wake up the oven
- 2) Select the oven cavity
- 3) Select function scrolling the menu
- 4) Push the play button

The light in the cavity will turn on and the oven will start PRE-HEATING at the suggested temperature for the function selected.

OVEN COOKING MODES

The oven is equipped with 4 heating elements, used alone or in combination to create different cooking modes:

- Upper bake element
- Lower bake element
- Broil element
- Convection element

The temperature setting and cooking times can vary slightly from one oven to another. It is possible that recipes and cooking times need to be adjusted accordingly.

BAKE

Heat from upper and lower element

Use this setting for baking and casseroles on a single rack.

- Standard bake: level 3 or 4
- Taller items: level 3
- Pies: level 2 or 3 to ensure the bottom of the crust is done without over-browning the top.
- Large cuts of meat or poultry: level 2.

OVEN FUNCTIONS

CONVECTION BAKE (STEAM ASSIST AVAILABLE)

Heat from upper and lower element and air flow convection with fan.

Use this setting to bake different foods at the same time with no taste transfer.

The fan circulates the hot air around the oven for uniform cooking of larger quantities of food. Use for roasting vegetables, meat and poultry, or baked fish.

This function is the best one for cooking frozen products and breaded/battered chicken or fish.

It may be used for cakes, cookies, biscuits and other foods on multiple racks.

Use the same rack position as BAKE.

When using 2 racks, use level 3 and 5.

CONVECTION (STEAM ASSIST AVAILABLE)

Heat from the convection element and airflow convection with fan.

Use this mode for most recipes being careful at calibrating the time.

Less time is usually required to reach the desired result when using convection.

The temperature is kept uniform throughout the oven, which is particularly suitable for baking on several levels or for batch cooking.

- Single rack: use the same rack position as bake
- 2 racks: use level 3 and 5
- 3 racks : use level 2 ,4, 6

BROIL

Heat from the upper element only.

The BROIL setting creates intense heat from the top of the cavity. The broil mode is effective when food is placed on upper racks.

Possibility of three levels of temperature: LOW - MEDIUM - HIGH.

- Beef steaks, ground meat patties, and lamb chops 1 inch or less: level 6
- Meat 1 inches or more thick, fish, poultry, pork chops, ham steaks 1 inch or more: level 5
- Browning food: level 6 (no longer than 15mins)

CONVECTION BROIL (STEAM ASSIST AVAILABLE)

Heat from upper element and air flow convection with fan.

Use this setting for browning and cooking food evenly on all sides. Also recommended for food that is too delicate to turn over such as fish. The fan circulates hot air around the food helping to cook it all the way through. The degree of browning on each side might be different.

Possibility of three levels of temperature: LOW - MEDIUM - HIGH.

The conv broil mode must be used on one rack.

- sausages and chicken portions: level 5 or 6
- foods with high water content such as bacon and chops: level 5 or 6

CONVECTION ROAST (STEAM ASSIST AVAILABLE)

Heat from grill and lower element and air flow convection with fan.

Use this setting to roast in a single level

The fan circulates the hot air around the oven for uniform cooking of larger quantities of food. Use for roasting vegetables, meat and poultry

Use the same rack position as BAKE.

PIZZA (STEAM ASSIST AVAILABLE)

Heat from lower element and circular element and airflow convection with fan.

Use for cooking pizza, pastry or flat breads to get a perfectly cooked base.

Use level 3 or level 2 to ensure the bottom of the crust is done.

AIR FRY

Heat from broil element and air flow convection with fan.

Use this setting for air fry.

Set the desired temperature according with the recipe (from 350°F to 480°F) Once reached the settled temperature place the tray with the food in the oven.

Food may be to be removed early and should be checked at minimum recommended time to avoid overcooking/ browning.

Use level 5.

To get best results use the air fry tray if supplied with the oven and arrange the food in single layer.

OVEN FUNCTIONS

MORE

DEHYDRATE

Heat from the convection element and airflow convection with fan.

Use this setting for dehydrate food, flowers, vegetables (preset temperature 120°F).

Do not open the oven door during the dehydrate process.

Use level 2 or 3.

PROOFING

Use this setting to maintain the warm, needed for proofing yeast (preset temperature 120°F).

It is better to start with a cool oven when using the proofing function.

Do not open the oven door unnecessarily.

Use level 2 or 3.

WARM

Heat from the convection element and airflow convection with fan.

Available in 3 level of temperature:

- WARM LOW 140°F
- WARM MED 170°F
- WARM HIGH 200°F

Use level 2 or 3

Reheat

Heat from the convection element and airflow convection with fan and steam

Use this settings to delicately reheat previously cooked food or prepare baked goods in advance (preset temperature 250F).

The time required may vary on the basis of the quantity of food or the container used.

Use this setting to reheat food using

Use level 2 or 3

Sabbath

Heating method for use during periods of religious observance.

Use level 2 or 3

CONDENSATION

It is normal for a certain amount of moisture to evaporate from the food during any cooking process.

The amount depends on the moisture content of the food or the quantity of steam settled for cooking.

The moisture will condense on any surface cooler than the inside of the oven, such as the control panel.

To reduce condensation forming, make sure oven is properly pre-heated before introducing any food.

USING ALUMINUM FOIL IN THE OVEN

Foil can be used to cover food in the oven but this should not come into close proximity with the oven elements or oven fan.. Foil should not be used to line the oven cavity or grill pan. This can cause overheating, buckling and cracking of the enamel surfaces.

OVEN FUNCTIONS

GETTING THE BEST RESULTS

- Minimize opening and closing the oven door during operation.
- Use the rack position recommended by the recipe and fine-tune with personal experience.
- Use the bakeware recommended in the recipe.
- We recommend placing the food at the center of the rack.
- Cooking will continue with residual heat. remove the dish from the oven immediately to avoid overcooking
- The set temperature and cooking time may vary slightly from one oven to another. Slightly adjustments to recipes may be necessary.
- Cooking times depend on the weight, thickness and quality of the food.
- Increasing the temperature does not decrease cooking times but can overcook food
- For tender, golden brown crusts, use light nonstick/ anodized or shiny metal pans.
- For brown crisp crusts, use dark non-stick/anodized or dark, dull metal pans or glass bakeware. This may require lowering the bake temperature 25°F (14°C).

- Allow at least 1" (25.4 mm) of space between the pans and the oven walls so heat can circulate around each pan.
- To keep the oven as clean as possible, cook meat on a pan and not directly on the racks.
- Place the food at in the center of the rack.
- Turn and mix dishes so that food heat through evenly.
- For new recipes, choose the lowest temperature from those given along with the shortest time; then assess how well cooked the dish is, prolonging the cooking if necessary.
- Store the broiler pan(s) outside the oven. An extra pan without food will impact browning and cooking.

SAVING ENERGY

- Open the oven door only when necessary to avoid wasting heat.
- Keep the inside of the oven clean.
- Remove any accessories not currently being used.
- Shut off the oven a few minutes before the time normally used, allowing the residual heat of the oven to finish cooking.

OVEN COOKING RECOMANDATIONS

Food	Pan size	Control temperature setting	Total suggested cooking time
Cookies	12"x15" Cookie Sheet	375°F	8 to 12 minutes
Layer Cakes	8"or 9" Round	350°F	25 to 35 minutes
Sheet Cakes	9"x13" Pan	350°F	30 to 40 minutes
Bunt Cakes	12 Cup	325°F	60 to 75 minutes
Brownies or Bar Cookies	9"x9" Pan	325°F	20 to 25 minutes
Biscuits	12"x15" Cookie Sheet	425°F or Package Directions	10 to 15 minutes
Quick Bread	8"x4" Loaf Pan	350°F	55 to 70 minutes
Muffins	12 cup Muffin Pan	425°F	14 to 19 minutes
Fruit Pies	9" Diameter	425°F	35 to 45 minutes
Fruit Cobblers	9"x9" Pan	400°F	25 to 30 minutes
Yeast Bread, Loaves	8"x4" Loaf Pan	375°F	25 to 30 minutes
Dinner Rolls	9"x13" Pan	400°F	12 to 18 minutes
Cinnamon Rolls	9"x13" Pan	375°F	25 to 30 minutes
Yeast Cotter and Cake	12"x15" Cookie Sheet	400°F	20 to 30 minutes

OVEN FUNCTIONS

AIR FRY RECOMANDATIONS

ITEM	AMOUNT	TEMPERATURE	TIME
Potatoes			
Frozen French Fries Frozen	30-35 oz	420°F-440°F	15-25 miin
French Fries, Seasoned	25-30 oz	420°F-440°F	20-25 miin
Frozen Tater Tots	40-45 oz	400°F-430°F	20-25 miin
Frozen Hash Browns	25-30 oz	420°F-440°F	20-25 miin
Frozen Potato Wedges	30-35 oz	420°F-440 °F	20-25 miin
Homemade French Fries*	20-25 oz	380°F-400°F	25-30 min
Homemade Potato Wedges*	20-25 oz	380°F-400°F	25-30 min
Frozen food			
Frozen Chicken Nuggets	25-30 oz	400°F-440°F	10-15 min
Frozen Chicken Wings	30-35 oz	400°F-430 °F	20-30 min
Frozen Onion Rings	20-25 oz	380°F-400°F	15-20 min
Frozen Fiish Fingers	20-25 oz	380°F-400°F	18-22 min
Frozen Chicken Strips	25-30 oz	400°F-430°F	20-30 min
Frozen Churros	20-25 oz	380°F-400°F	18-22 min

OVEN FUNCTIONS

BROILING RECOMANDATIONS

Food item	Control temperature setting seledor	Approximate cooking time	Special instructions and tips
BEEF Ground Beef Patties, 1/2" thick	500°F fixed temperature setting	15 to 20 minutes	Broil until no pink in center
T-Bone Steak	500°F fixed temperature setting	12 to 20 minutes	Time depends on rareness of steak
Flank Steak	500°F fixed temperature setting	12 to 20 minutes	Rare to Medium Rare
Eye of Round Roast	325°F	20 to 25 min/lb	Small roasts take more minutes per pound; reduce time by using Convection Bake
PORK Loin Roast	325°F	20 to 25 min/lb	Cook until juices are clear
POULTRY Boneless Skinless Chicken Breasts	500°F fixed temperature setting	20 to 25 min/lb	Cook until juices are clear
Chicken Thighs	500°F fixed temperature setting	25 to 30 minutes	Remove skin; Cook until juices are clear
Half Chickens	500°F fixed temperature setting	30 to 45 minutes	Turn with tongs; Cook until juices are clear
Roast Chicken	350°F	75 to 90 minutes	Do not stuff; reduce time by using Convection Bake
Turkey	325°F	20 to 25 min/lb	Do not stuff; reduce time by using Convection Bake

OVEN FUNCTIONS

TROUBLESHOOTING COMMON PROBLEMS WITH OVEN COOKING

Problems	Cause	Remedy
Cakes burned on the sides or not done in center	Oven too hot Wrong pan size	Reduce temperature Use recommended pan size
Cakes crack on top	Butter too thick Oven too hot Wrong pan size	Follow recipe or add liquid Reduce temperature Use recommended pan size
Food too brown on bottom	Oven door opened too often Incorrect rack position Wrong bake setting	Use door window to check food Use recommended rack position Adjust to conventional or convection setting as needed
Food too brown on top	Incorrect rack position Oven not preheated	Use recommended rack position Allow oven to preheat
Cookies too flat	Hot cookies sheet	Allow sheet to cool between batches
Pies burnes around adges	Oven too hot Oven not preheated	Reduce temperature Allow oven to preheat
Pies too light on top	Oven not hot ehough Oven not preheated	Increased temperature Allow oven to preheat

OVEN FUNCTIONS

TIME FUNCTION

COOKING TIMERS

The timer function allows to manage cooking times.

After setting the function and temperature, touch the timer icon to enter in Timer menu.

Cooking Time

Use this function to set the duration of the recipe.

A tune and a popup indicate the end of cooking and the oven automatically switches off.

- 1) Select Cooking time.
- 2) Set cooking time using the keyboard filling the COOKING timing from right to left
- 3) Press √
- 4) The countdown start at the end of the preheat and the display will show the remaining time in the top right side.
- 5) The display top bar show the cooking end of cooking time

The maximum settable time is 10 hours



NOTE

to change settled time enter in Timer menu and restart from point 1.

Start At

Use this function to set starting time and cooking time

At the set start time, the oven will start cooking.

A tune and a popup indicate the end of cooking and the oven automatically switches off.

- 1) Select start at.
- 2) Set starting time using the keyboard filling the timing from left to right.
- 3) Press √.
- 4) Set cooking time using the keyboard filling the timing from right to left.
- 5) Press √.
- 6) The display top bar show the cooking end of cooking time.

The maximum settable time is 10 hours.



NOTE

to change settled time enter in Timer menu and restart from point 1.

End At

Use this function to set the end of cooking time and the cooking time.

The oven calculates the start time and will start cooking.

- 1) A tune indicate the end of cooking and the oven automatically switches off.
- 2) Select end at.
- 3) Set cooking time using the keyboard filling the timing from left to right.
- 4) Press √.
- 5) Set cooking time using the keyboard filling the timing from right to left.
- 6) Press √.
- 7) The display top bar show the cooking start time before the oven start and the end of cooking time after the oven start the cooking.

The maximum settable time is 10 hours.



NOTE

To change settled time enter in Timer menu and restart from point 1.



IMPORTANT

If the time functions are not set, the duration of the cooking must be managed manually.

OVEN FUNCTIONS

PROBE

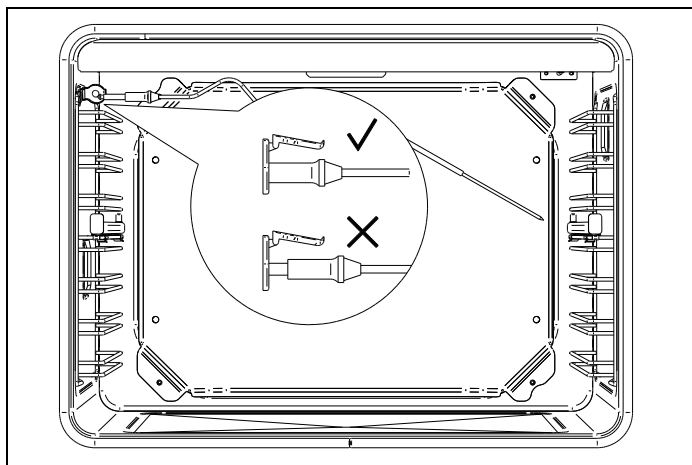


Fig. 8

The food probe allows to choose the level of cooking by measuring the internal temperature of the food.

The probe will indicate the internal temperature of the meat as it cooks.

After setting the function and temperature, press the probe icon

Programming the food probe.

1) Insert the sharp end of the probe into the food. For the best results, the tip must be as close as possible to the center of the food and not in contact with fat, bone or hollow areas.

Improper placement of the probe could shut the oven off too early and result in uncooked food.

With poultry, make sure the probe does not rest in a cavity.

2) Insert the food in the oven

3) Plug in the probe inside the oven (on the top left-hand side).

4) Set cooking time using the keyboard

5) Press \checkmark

If the oven has already completed the preheat, the program will go on as settled.

If the oven has not stated the preheat, the program will start without fast preheating.

The display shows in each moments the measured temperature in the food and the set temperature.

The display top bar shows an estimated end of cooking time that becomes more accurate as the temperature of the food gets closer to the desired temperature.

When the set temperature is measured by the probe, cooking will stop, an audible warning will sound and a message will be displayed.

When using the food probe, timer functions are disabled

STEAM

For fan-assisted cooking programs, it is possible to add steam during cooking.

For double oven, this function is available only in the upper cavity

The addition of steam ensures dishes are cooked gently, keeping the interior juicy.

Adjusting the steam quantity will achieve improved cooking results:

- Crunchy crust
- Shiny surface
- Soft, juicy centre
- Minimal reduction in volume

After setting the function and temperature, press the steam icon and select steam quantity

- LOW. Ideal for meat, poultry and baked dishes.
- MEDIUM. Ideal for stewed/braised meat, bread and other leavened dishes.
- HIGH. Ideal for delicate dishes such as custards, flans, timbales and fish.

Steam is dispensed inside the oven at Different time intervals.

Use only heat- and corrosion-resistant cookware or food-grade stainless-steel containers.

When cooking on multiple levels, check that there is space between the different levels in order to allow the steam to circulate.

During steam cooking is allow to use food probe or timer

To shut off the steam or adjust the set steam quantity, press the steam button on the display.

PUMP

During operation and after switching off , an audible hum indicates that the pumps are operating.

STEAM

WATER RESERVOIR

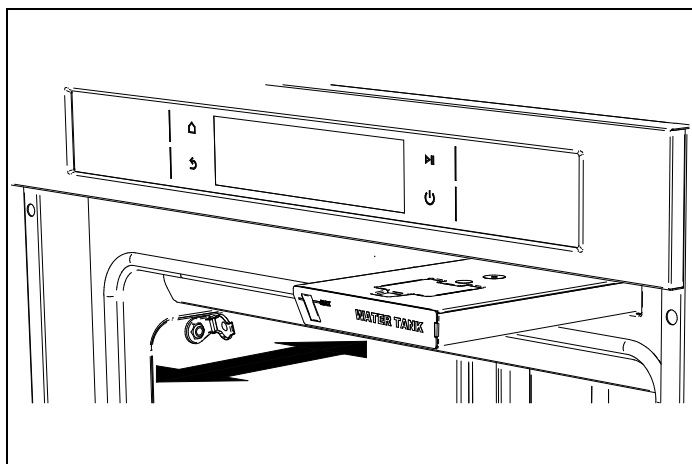


Fig. 9

The water reservoir is located behind oven door, in the top right-hand of the oven cavity.

Before start the preheat, open the door and fill the water reservoir.

The reservoir has a push-to-open system.

- 1) Gently push the front part to come out the reservoir
- 2) Pull it out partially.
- 3) Open the lid and fill with water to the indicated level - Use potable water only.
- 4) Close the lid.
- 5) Reposition the reservoir by pushing it all the way until it locks in place.
- 6) Close the oven door and start cooking program.

The water reservoir can be completely removed for cleaning or filling (Do not dishwasher the water reservoir).

Each time the reservoir is removed, check that the seals are intact and correctly positioned.



WARNING

Fill the reservoir when the oven is hot it could be very dangerous due to the high temperature that come out from the oven cavity.

Some minutes after the cooking program is completed, the water in the circuit is automatically drained into the reservoir.

A popup indicates that this operation is completed and it is possible to remove completely the reservoir and empty it.



CAUTION

DO NOT lay water in the reservoir. The water in the reservoir may be hot: check that the water has cooled down before removing the reservoir.

ASSISTANT

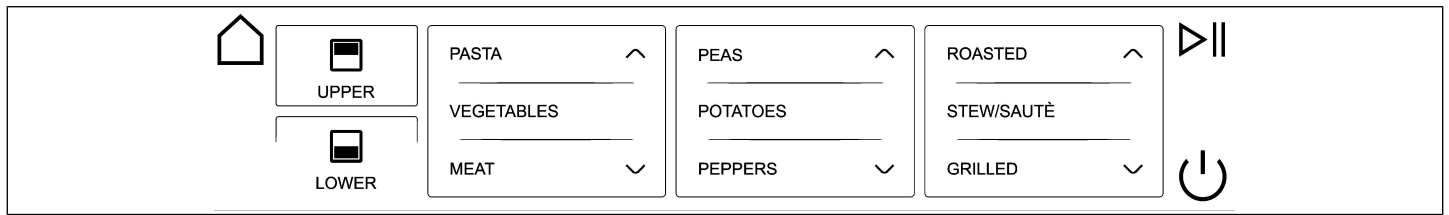


Fig. 10

The assistant function helps to manage SEVERAL preset cooking sequences for each type of food.

The system does not provide recipes, but helps the oven get the best out of yours.

Some cooking sequences need steam, follow the message displayed. (for double oven, cooking sequences with steam are available only in the upper cavity)

In the home menu touch ASSISTANT ICON

Select oven cavity

1) Select the required food category.

- Meat
- Poultry
- Fish
- Vegetables
- Pizza
- Pasta
- Bread
- Cakes

2) Choose the preset cooking sequence.

3) Select the weight and level of cooking.

4) use the temperature probe if required.

5) Fill the reservoir if the recipe requires the use of steam.

6) Press play button.

A tune and a popup indicate the end of cooking and the oven automatically switches off.

CLEAN

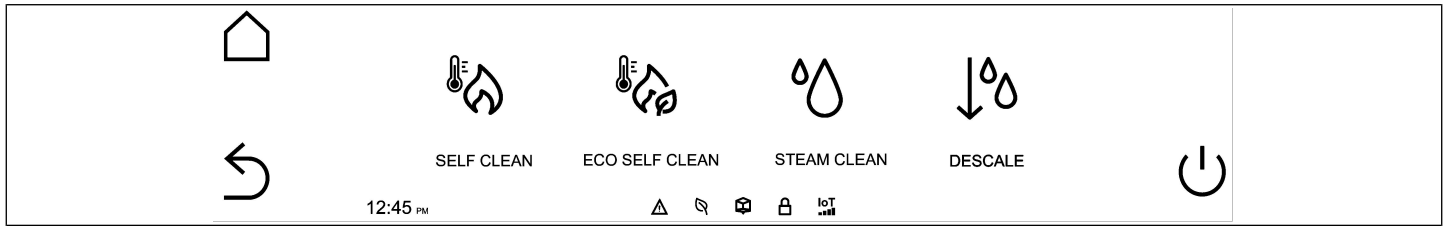


Fig. 11

The cleaning functions help to keep clean your oven.

In the main menu, touch CLEAN ICON.

Select one of the following functions and then select the cavity to clean.

SELF CLEAN AND ECO SELF CLEAN



WARNING

Children should not be left alone or unattended in an area where appliances are in use.

During the Self-Clean cycle, exterior surfaces may become hotter than usual. Parts of the appliance may become potentially harmful to children, and to persons who lack adult knowledge of appliances and lack adult reactions to potentially harmful conditions.

Keep these individuals away during self-clean and while the appliance is in use.

The elimination of residue during self-cleaning may facilitate the emission of small amounts of chemicals or other substances that may be harmful upon sufficient exposure.

To minimize exposure to these substances, provide optimal ventilation with an open window, or use a ventilation fan or hood.

Keep pet birds out of the kitchen or other rooms where they may be exposed to kitchen fumes. During self clean, fumes are released that may be harmful to birds.

CLEANING

In the self-cleaning cycles, the oven's interior reaches very high temperatures – over 750° F – to burn off any food residue.

For safety reason the door locks automatically and will only reopen when the oven cools back down at the end of the cycle.

After the cleaning cycle, the burned off residue is reduced to ash and can be easily brushed off with a damp sponge.

The standard self-clean cycle duration is 120 minutes.

The ECO self-clean cycle last 90 minutes and It can be used when there are lower levels of encrusted dirt and residue.

BEFORE SELF CLEANING THE OVEN

Before starting a self-clean cycle or a eco Self-clean cycle, remove all accessories and side racks from the oven. Make sure the light bulbs and glass covers are in place. Manually remove any pieces of food and larger residues with a damp sponge. Remove also water or any limescale residue from the base of the oven. This appliance is designed to clean the oven cavity and the portion of the door glass that faces the oven cavity. Remove any residue that is outside the door seal area. It is normal to see some flaming and smoke develop inside the oven.

CLEAN

REMOVE RACKS

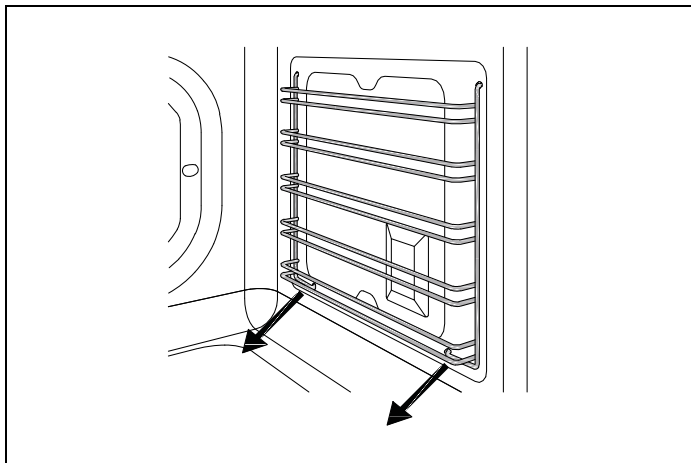


Fig. 12

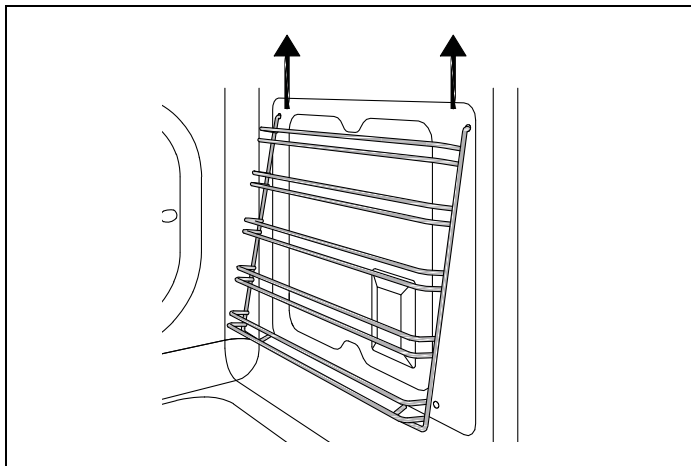


Fig. 13

- 1) Locate the two hooks at the bottom of the rack and gently pull down at the same time the two hooks.
- 2) Pull the rack away from the oven side and remove pulling up the upper hooks of the racks from the side of the oven.
- 3) Remove the rack from the oven.

REMOVE WATER RESERVOIR

- 1) Open the oven door
- 2) Gently push the front part of the water reservoir to come out it
- 3) Pull it out completely.
- 4) Let it in a safe place, out of reach of small children.

SELF-CLEAN CYCLE START

In the Clean Menù, push SELF CLEAN or ECO SELF CLEAN ICON

Chose the oven to be cleaned

Check that the oven cavity is completely empty and remove the water tank and the oven door correctly closed.

Close the door and confirm the start of clean cycle

The oven door will lock automatically after 60 seconds



NOTE

make sure that the oven door is locked at the beginning of the self-cleaning cycle.

WHEN THE CYCLE ENDS THE OVEN UNLOCK THE DOOR

The interior of the oven will still be at baking temperatures (500F/260°C) approximately

Wait that the oven cavity is completely cooling down before open the door

When the oven in completely cooled replace side racks, oven accessories and water reservoir.



CAUTION

The interior of the oven will still be at baking temperatures when the automatic lock cycles to its open position and the oven door can be opened.

HYDROCLEAN

This function allows to easily remove grease and other food debris that may have stuck to the sides of the oven.

After the cleaning cycle, the melted residue of food can be easily brushed off with a damp sponge.

For easier cleaning, do not allow dirt to accumulate. Clean the oven frequently.

CLEAN

BEFORE HYDROCLEANING THE OVEN

Before starting a Hydroclean cycle, remove all accessories from the oven. Make sure the light bulbs and glass covers are in place.

Manually remove any pieces of food and larger residues with a damp sponge.

This appliance is designed to clean the oven cavity and the portion of the door glass that faces the oven cavity. Remove any residue that is outside the door seal area.

Always run the cycle on a cold oven.



WARNING

Do not pour water into a hot oven as this can damage the enamel of the oven.

- 1) With the oven cold, spread a cloth out on the bottom of the oven
- 2) Gently pour 200ml of water into the bottom of the cavity. For best results, add a teaspoon of mild washing up detergent to the water.
- 3) Spray a solution of water and washing-up liquid (using a spray bottle) onto the side walls.
- 4) Start Hydroclean Cycle (duration approx. 20 min).
- 5) Wait for about 20 minutes for the interior of the oven to cool.
- 6) Any traces of dirt and excess water can now be removed from the oven with the damp cloth.

Do not open the oven until the cooling phase is complete.

This is necessary for the Hydroclean function to work properly.



WARNING

The hydroclean function takes place at a low temperature. However, cooling times can vary depending on the room temperature.



WARNING

Before touching the inside surface of the oven, make sure that it has cooled properly.

If a deeper clean is required after using the hydroclean function, use neutral detergents and non-abrasive sponges.

DESCALE (ONLY STEAM ASSISTED OVEN CAVITY)

When the steam generator operates, limescale will build up in it.

Clean the steam circuit in order to prevent excessive scale build-up.

Two reminders will be given to perform descaling.

The first serves as a reminder, suggesting that the user run the descaling function.

The second is mandatory – the cooking function in progress will be completed, but following this steam functions will be disabled until descaling is performed.

It is not possible to disable the descaling reminder.

In the Clean Menù, push DESCALE ICON

- 1) Insert 500 ml of descaling solution in the reservoir.
- 2) Start cleaning (this takes around 30 min.).
- 3) Remove the reservoir and empty it when instructed to do so.
- 4) Rinse the reservoir with clean water.
- 5) Fill the reservoir with 500 ml of cold, clean water.
- 6) Start the rinse cycle.
- 7) Repeat the cycle from step 4 three times, following the instructions on the display.
- 8) After the last rinse, clean the reservoir thoroughly with soapy water and dry with a soft cloth.

It is essential to follow the rinsing instructions, since the descaling solution is harmful.

If the descaling procedure is not completed correctly, it will not be possible to start a steam function and the reminder will remain active.

Do not use the descaling solution on the control panel or on the other surfaces of the appliance.

This would damage them. In the event of any spillages, immediately rinse off the descaling solution with clean water.

TELESCOPIC GLIDES

TELESCOPIC GLIDES (IF AVAILABLE)

The telescopic glides fit any shelf level and work with the wire shelves provided as standard equipment.

FITTING THE GLIDES

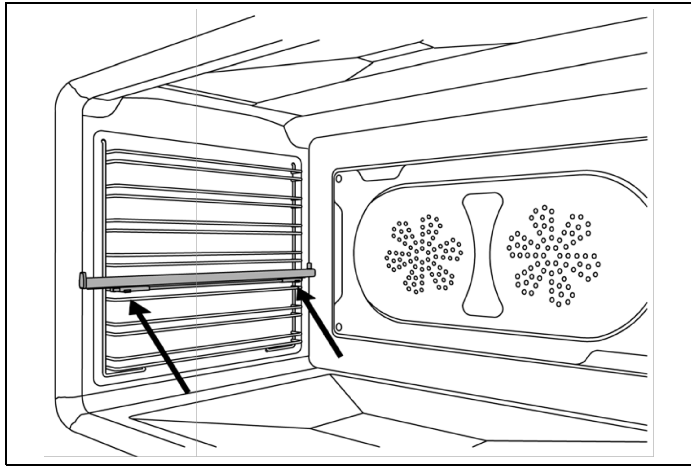


Fig. 14

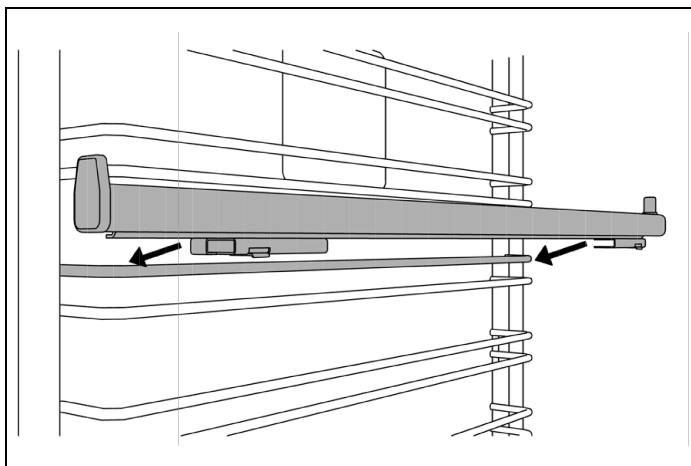


Fig. 15

- 1) Locate the two spring clips at the front and back of the glides.
- 2) Locate the pin on the glide that indicates the back.
- 3) Choose the right level and position the telescopic glide near the upper wire.
- 4) Insert the rear spring clip on the glide.
- 5) Gently insert the front spring clip on the glide.
- 6) Pull and push each glide to ensure the correct installation and smooth operation.
- 7) Extract both glides to the fully extended position and place the shelf over them, making sure it is accurately placed between the rear pin and the front pin.

REMOVING THE GLIDES

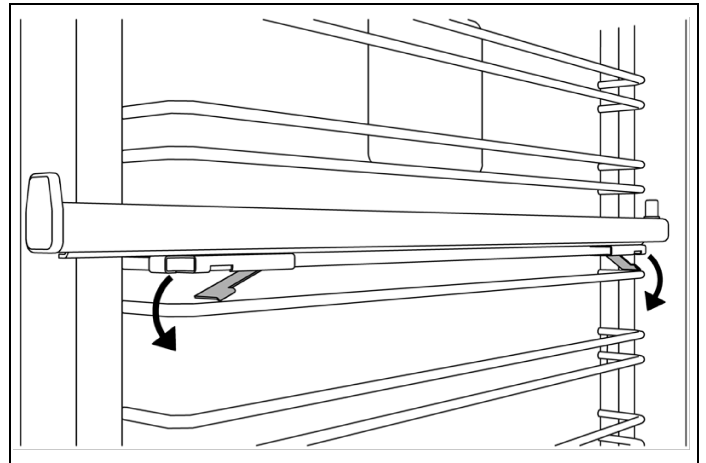


Fig. 16

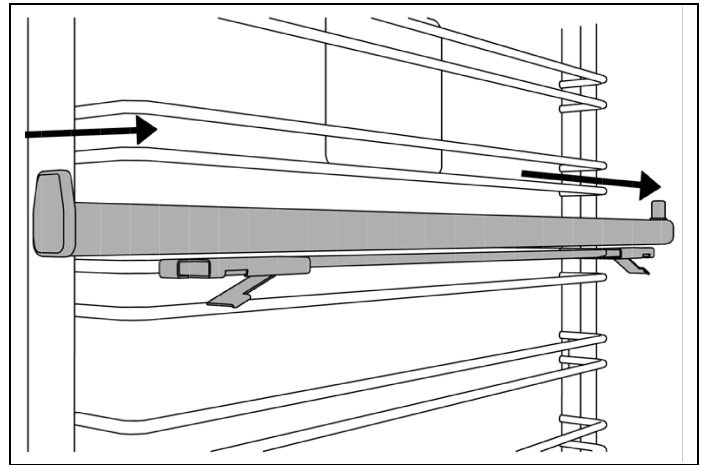


Fig. 17

- 1) Locate the two spring clips at the front and back of the glide.
- 2) Gently pull down the front spring clip.
- 3) Pull the glide away from the oven side - be careful not to strain the clip.
- 4) Repeat steps 2 - 3 on rear spring clip to remove glide.

SIMPLE MAINTENANCE

These simple tasks can be performed by the owner. For any other maintenance task, we recommend employing a trained service technician. Please call our toll free line to identify service technicians in your area:

If located in the USA 866 905 0010

<https://us.bertazzoni.com/more/support>

If located in CANADA 800 561 7265

<https://ca.bertazzoni.com/more/support>

REPLACING OVEN LIGHTS



WARNING

Electric shock hazard!

Disconnect the electric power at the main fuse or circuit breaker before replacing bulb.

DO NOT touch bulb with bare hands. Clean off any signs of oil from the bulb and handle with a soft cloth.

MAIN CAVITY

Bulb type: halogen G9 120 V, 25 W

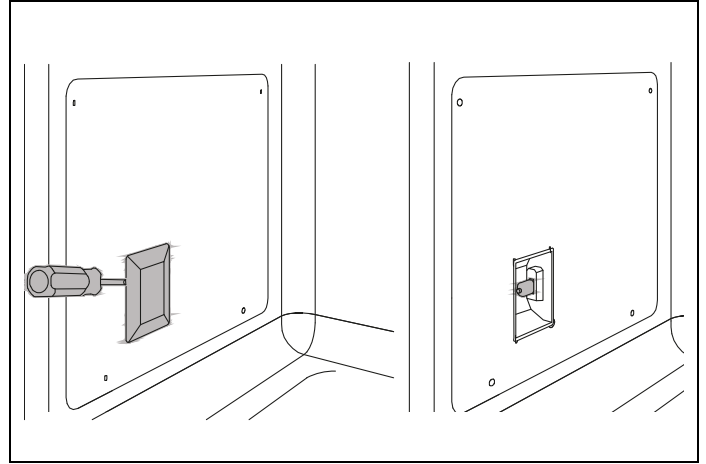


Fig. 18



WARNING

Make sure the heating elements are turned off and allowed to cool completely.

Disconnect the appliance from the power supply. Remove the oven rack if it interferes with the light housing.

- Slide the tip of a flat screw driver between the glass cover and the lamp housing. Gently twist the screw driver tip to loosen the glass lens cover, holding it in place with your fingers to prevent it from falling and breaking.
- Remove the glass lens cover and then remove the halogen bulb.
- Place a new halogen bulb in its slot. DO NOT touch bulb with bare hands.
- Press the glass cover back into place and replace the oven rack.
- Reconnect the oven to the electrical supply.
- Place a new halogen bulb in its slot. DO NOT touch bulb with bare hands.
- Press the glass cover back into place and replace the oven rack.
- Reconnect the oven to the electrical supply.

SIMPLE MAINTENANCE

REPLACING RESERVOIR SEAL

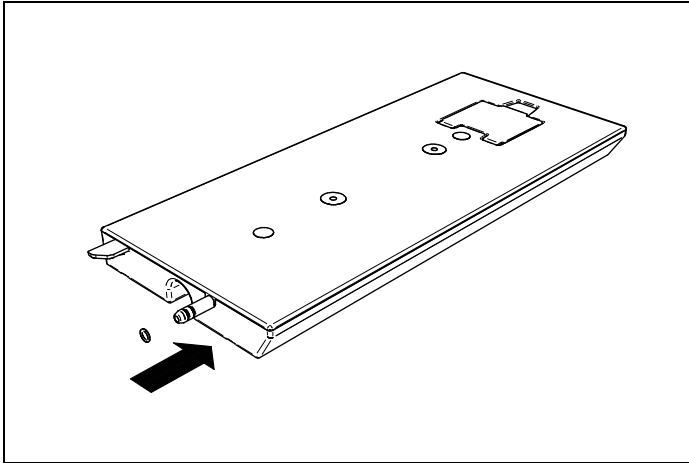


Fig. 19

Each time the reservoir is removed, check that the seals are intact and correctly positioned.

Replace them with those supplied if they should be damaged.

KEEP YOUR BERTAZZONI OVEN CLEAN



DANGER

Burn hazard

Make sure the heating elements are turned off and allowed to cool completely before any cleaning and/or maintenance operation.



CAUTION

Things to avoid:

- Do not use a steam cleaner to clean the oven: the steam could reach electrical components and cause a short.
- Do not spray liquids such as cleaning agents into the openings on the bottom and top of the Oven cavity.
- All surfaces can discolor or be damaged if unsuitable cleaning agents are used. The front of the oven, in particular, will be damaged by oven cleaners and descalers.
- All surfaces are susceptible to scratching. Scratches on glass surfaces may cause a breakage. Immediately remove any residues by using suitable cleaning products.
- The heating elements in the oven do not require cleaning. The elements burn off any residue when the oven is in use.

CLEANING STAINLESS STEEL

All stainless steel parts should be wiped with hot water and soap solution at the end of each cycle.

Wipe up spills and boil overs immediately. Use suitable, non-abrasive stainless cleaning products when water and soap solution will not do the job.

DO NOT use steel wool, abrasive cloths, cleansers, or powders. If necessary, scrape stainless steel to remove encrusted materials, soak the area with hot towels to soften the residue, then use a wooden or nylon spatula or scraper. DO NOT use a metal knife, spatula, or any other metal tool to scrape stainless steel.

The following liquids commonly used in the kitchens can be corrosive and damaging to stainless steel:

- lemony/orange juice (citric acid)
- tomato juice
- sugary liquids/syrup
- salt water
- Winegar

CLEANING PAINTED SURFACES

Clean with a soft cloth, warm water and non-abrasive dishwashing liquid. Whilst still damp, polish dry with a clean soft cloth.

CLEANING GLASS SURFACES

- Clean with cleaning detergent and warm water.
- Glass cleaner can be used to remove fingerprints.
- If using glass cleaner containing ammonia, make sure that it does not drip on exterior door surface.

CLEANING THE BROILER PAN

Clean with detergent and hot water. For stubborn spots, use a soap-filled steel wool pad. The porcelain enamel finish is acid resistant, but not acid proof. Acidic foods, such as citrus juices, tomatoes, rhubarb, vinegar, alcohol or milk, should be wiped up and not allowed to bake onto the porcelain during the next use.

CLEANING THE OVEN CAVITY

- Always allow the oven interior to cool before cleaning.
- Do not allow vinegar, wine, coffee, milk, salt water or fruit juices to remain in contact with enamelled surfaces for prolonged periods as they may stain or discolour the surface.
- Never use sharp utensils to remove stains as this could scratch the surface.
- Never use steam cleaners on the oven interiors as steam may damage electronic parts.
- For light cleaning, wipe with a soft cloth, using warm water and washing up liquid. For heavier residues, use a cream cleaner and a nylon scourer.
- Oven cleaning products can be used according to the manufacturer's directions but care should be taken that they do not come in contact with any stainless steel, chrome, painted or alloy parts of the range or the door seals and elements.

CLEANING OVEN RACKS AND SUPPORTS

Clean with detergent and hot water. Stubborn spots can be scoured with a soap-filled steel wool

TROUBLESHOOTING

Here are answer to common problems you may experience.

You are also welcome to call our toll free Customer Service line to troubleshoot any issue with your Bertazzoni.

If located in the USA

866 905 0010

<https://us.bertazzoni.com/more/support>

If located in CANADA

800 561 7265

<https://ca.bertazzoni.com/more/support>

TROUBLESHOOTING

The oven does not turn on	There is no power supply or it could be interrupted. Check the switch fuse or circuit breaker.
The oven does not heat	Check if DEMO MODE function is activated.
The display is getting too hot	Are you cooking with the oven door open? Keep the oven door shut when not in use or when grilling/ broiling.
Condensation forms in the oven	Have you preheated the oven? Condensation is less likely to form when the oven or grill is preheated before use.
Smoke is generated in the oven	Have you selected the right cooking temperature? Are you cooking food with high fat? Do you rarely use the grill? Have you cooked fat under the grill? Does the oven interior need to be cleaned? Remember to reduce the oven temperature by 70°F if using a fan function with a recipe designed for conventional cooking. Use high-sided dishes to contain fats and splashes. Leave the grill on for a few minutes after grilling or roasting to burn off fat deposits from the oven roof. Oven surfaces should be cleaned regularly to prevent build-up of cooking residues.
The oven works but the light do not switch on	It's possible to keep on with the cooking. When the oven is cooled substitute the light bulb.
Fan continues to run after cooking stops	The fan will automatically shut off when the internal parts of the oven have cooled.
The oven light is switched off during cooking But it switch on when the door is open	The ECO mode is set
The clock is not visible during stand by	The ECO mode is set
Food is cooking too quickly	If you are using a fan-assisted oven cooking mode, it is recommended to reduce the cooking temperature by 70°F compared to conventional cooking.
Food is not cooking evenly	Are you cooking large amount of food or are you using large bakeware? Air needs to circulate through the oven for even cooking. Remove the grill pan from the oven when not in use and always allow a gap on all four sides of dishes. You may need to turn your bakeware during the cooking cycle. Oversized baking sheets, roasting pans and cakeware will act as a baffle and prevent hot air from moving evenly around the cavity. Choose cooking equipment that allows a minimum of 1 inch (2,5 cm) space on all sides to allow the free movement of heat inside the cavity.
Grilling in the oven is slow	Have you selected the correct function?
Self clean cycle does not start	Check if the water reservoir has been removed Check if the oven is completely closed
In the main cavity Steamclean do not start	Check if you have filled the reseivoir
- Dripping water - Steam from door seam - Water remains in oven..	Water/steam may appear depending on food being cooked. This is normal. Let oven cool; wipe with dry towel
Oven door stays shut after self-cleaning.	Oven is too hot. Let oven cool.
Fan noise.	Convection fan turns itself on/off. This is normal.

CUSTOMER CARE

For any warranty information and service request, contact us:



In USA: <https://us.bertazzoni.com/more/support>

In CANADA: <https://ca.bertazzoni.com/more/support>

DU BUREAU DE NOTRE PRÉSIDENT

Cher nouveau propriétaire d'un appareil Bertazzoni,

Je tiens à vous remercier d'avoir choisi l'un de nos beaux produits pour votre maison.

Ma famille a commencé à fabriquer des appareils électroménagers en Italie en 1882, bâtissant une réputation de qualité d'ingénierie et de passion pour la bonne cuisine.

Aujourd'hui, nos produits se distinguent par leur mélange unique de design italien authentique et de technologie d'électroménager supérieure. Notre mission est de fabriquer des produits qui fonctionnent parfaitement et qui apportent de la joie à leurs propriétaires.

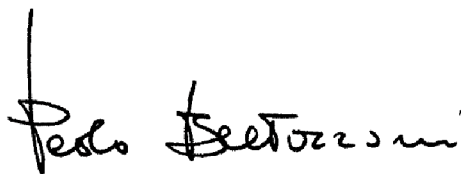
En fabriquant de beaux produits, nous répondons au goût de nos clients pour un joli design. En les rendant polyvalents et faciles à utiliser, cuisiner avec Bertazzoni devient un réel plaisir.

Ce manuel vous aidera à apprendre à utiliser et à entretenir votre appareil Bertazzoni de la manière la plus sûre et la plus efficace, afin qu'il puisse vous donner la plus grande satisfaction pour les années à venir.

Profitez !

Paolo Bertazzoni

Président

A handwritten signature in black ink that reads "Paolo Bertazzoni". The signature is written in a cursive, flowing style with a vertical line at the beginning.

VALIDITÉ DU MANUEL D'UTILISATION

Ce manuel d'utilisation est valable pour les codes de produits suivants :

- FPRO30FSVTC
- FPRO30FSVTX
- FPRO30FDVTC
- FPRO30FDVTX

SOMMAIRE

INFORMATIONS GÉNÉRALES	47
AVERTISSEMENTS	47
RESPONSABILITÉ DU FABRICANT	47
INFORMATIONS GÉNÉRALES DE SÉCURITÉ	47
SÉCURITÉ DES ENFANTS	48
INSTRUCTIONS GÉNÉRALES DE CUISINE	49
INSTRUCTIONS RELATIVES À LA CUISSON AU FOUR	50
INSTRUCTIONS RELATIVES AU NETTOYAGE DU FOUR	51
AVERTISSEMENTS RELATIFS À L'APPAREIL	51
FONCTIONNEMENT À DISTANCE	51
INTERFÉRENCES TÉLÉ/RADIO	51
AVANT LA PREMIÈRE UTILISATION	52
UTILISATION DU FOUR	53
PANNEAU DE COMMANDE	53
UTILISATION DES COMMANDES TACTILES	53
HOME MENU	54
PARAMÈTRES	54
ARRÊT AUTOMATIQUE	54
IOT (IDO)	55
FONCTIONS DU FOUR	56
POSITIONS DES PLATEAUX	56
VENTILATEUR DE REFROIDISSEMENT	56
PRÉCHAUFFAGE DU FOUR	56
UTILISATION DU FOUR	57
QUICK START (DÉMARRAGE RAPIDE)	57
MODES DE CUISSON AU FOUR	57
CUISSON	57
CUISSON PAR CONVECTION (ASSISTANCE VAPEUR DISPONIBLE)	58
CONVECTION (ASSISTANCE VAPEUR DISPONIBLE)	58
GRILL	58
GRIL PAR CONVECTION (ASSISTANCE VAPEUR DISPONIBLE)	58
RÔTISSAGE PAR CONVECTION (ASSISTANCE VAPEUR DISPONIBLE)	58
PIZZA (ASSISTANCE VAPEUR DISPONIBLE)	59
CUISSON AIR FRY	59
PLUS	59
CONDENSATION	60
UTILISATION DE FEUILLES D'ALUMINIUM DANS LE FOUR	60
OBTENIR LES MEILLEURS RÉSULTATS	60
ÉCONOMIE D'ÉNERGIE	60
RECOMMANDATIONS POUR LA CUISSON AU FOUR	61
RECOMMANDATIONS POUR LA CUISSON AU AIR FRYER	62
RECOMMANDATIONS POUR LA CUISSON AU GRILL	63
RÉSOLUTION DES PROBLÈMES LES PLUS FRÉQUENTS EN CAS DE CUISSON AU FOUR	64
FONCTIONS TEMPS	65
VAPEUR	68
POMPE	68
RÉSERVOIR D'EAU	69
ASSISTANT	70
NETTOYAGE	71
SELF CLEAN ET ECO SELF CLEAN (NETTOYAGE AUTOMATIQUE ET NETTOYAGE AUTOMATIQUE ECO)	71
NETTOYAGE	71
AVANT DE DÉMARRER LA FONCTION AUTO-NETTOYAGE DU FOUR	71
RETIREZ LES GRILLES	72

SOMMAIRE

RETIRER LE RÉSERVOIR D'EAU	72
DÉMARRAGE DU CYCLE D'AUTONETTOYAGE	72
À LA FIN DU CYCLE, DÉVERROUILLER LA PORTE DU FOUR.	72
HYDROCLEAN	72
AVANT L'HYDRONETTOYAGE DU FOUR	73
DÉTARTRAGE (CAVITÉ DU FOUR À VAPEUR UNIQUEMENT)	73
GUIDES TÉLESCOPIQUES	74
GUIDES TÉLESCOPIQUES (SI DISPONIBLE)	74
MONTAGE DES GRILLES	74
DÉMONTAGE DES GUIDES	74
ENTRETIEN COURANT	75
REPLACEMENT DES AMPOULES DU FOUR	75
CAVITÉ PRINCIPALE	75
REPLACEMENT DES JOINTS DU RÉSERVOIR	76
NETTOYAGE DE VOTRE FOUR BERTAZZONI	77
NETTOYAGE DE L'ACIER INOXYDABLE	77
NETTOYAGE DES SURFACES PEINTES	77
NETTOYAGE DES SURFACES EN VERRE	77
NETTOYAGE DE LA LÈCHEFRITE	77
NETTOYAGE DE LA CAVITÉ DU FOUR	77
NETTOYAGE DES GRILLES ET DES SUPPORTS DU FOUR	78
REMÈDES	79
SERVICE CLIENTÈLE	82

INFORMATIONS GÉNÉRALES

AVERTISSEMENTS

Ce manuel d'utilisation fait partie intégrante de l'appareil. Les instructions doivent avoir été lues et comprises avant toute utilisation de l'appareil, afin d'éviter les risques potentiels d'incendie, de décharge électrique, de blessures ou de dommages à l'appareil résultant d'une utilisation inappropriée. L'appareil doit uniquement être utilisé aux fins prévues et décrites dans ce manuel.

Ranger soigneusement ce manuel pour toute consultation future par l'inspecteur électrique local. Après avoir lu ces instructions, les ranger soigneusement en vue d'une future consultation. Respecter les réglementations, normes et lois en vigueur.



MISE EN GARDE

Les avertissements et les consignes de sécurité contenus dans ce manuel ne couvrent pas toutes les situations et conditions susceptibles de survenir. Procéder avec bon sens et attention et avec le plus grand soin lors de l'installation, de l'entretien ou de l'utilisation de l'appareil.



REMARQUE IMPORTANTE

L'APPAREIL OBJET DU PRÉSENT MANUEL N'A PAS ÉTÉ CONÇU POUR UN USAGE PROFESSIONNEL, MAIS POUR UN USAGE DOMESTIQUE.

Utilisez le four uniquement pour la préparation des repas.

POUR ASSURER UN FONCTIONNEMENT CORRECT ET SÛR

- Installer cet appareil en se conformant scrupuleusement aux instructions d'installation fournies.
- Pour un fonctionnement correct et en toute sécurité : l'appareil doit être correctement installé et mis à la terre par un technicien qualifié.
- Les enfants et les adultes peuvent faire basculer le four si celui-ci n'a pas été fixé au mur. ce qui pourrait entraîner des blessures mortelles.
- NE PAS tenter de régler, réparer, réviser ou remplacer un composant de l'appareil à moins que le présent manuel ne le recommande spécifiquement.
- Toute autre intervention doit être confiée à un technicien qualifié agréé par le fabricant.
- Pour éviter d'éventuels dommages aux armoires et aux finitions des armoires, n'utilisez que des matériaux et finitions qui ne décoloreront pas ou ne décolleront pas et résisteront à des températures allant jusqu'à 200°F (93°C). L'adhésif résistant à la chaleur doit être utilisé si le produit doit être installé dans l'armoire. Vérifiez auprès de votre constructeur ou fournisseur d'armoires pour vous assurer que les matériaux répondent à ces exigences.
- Demandez à l'installateur de montrer au client l'emplacement du disjoncteur ou du fusible et comment le couper en cas d'urgence.
- Le four n'est pas conçu pour fonctionner avec des minuteries externes ou des systèmes de télécommande autres que l'application Bertazzoni.
- Ne pas utiliser le four s'il est endommagé. Il est particulièrement important que la porte du four se ferme correctement.

RESPONSABILITÉ DU FABRICANT

Le fabricant décline toute responsabilité en cas de dommages corporels et/ou matériels causés par :

- une utilisation de l'appareil autre que celle prévue ;
- le non-respect des prescriptions figurant dans le présent manuel d'utilisation ;
- la modification de toute partie de l'appareil quelle qu'elle soit ;
- l'utilisation de pièces détachées non d'origine.
- L'appareil objet du présent manuel est destiné à la cuisson d'aliments dans un environnement domestique. Toute autre utilisation constitue un abus.

INFORMATIONS GÉNÉRALES DE SÉCURITÉ



DANGER

Ne JAMAIS utiliser la cuisinière comme appareil de chauffage ou pour chauffer une pièce, afin d'éviter tout danger potentiel pour l'utilisateur et tout dommage à la cuisinière. De même, NE PAS utiliser le four comme espace de stockage pour les aliments ou les ustensiles de cuisine.

INFORMATIONS GÉNÉRALES



MISE EN GARDE

S'assurer que tous les matériaux d'emballage ont été retirés de la cuisinière avant son utilisation.



MISE EN GARDE

Ne jamais laisser de vêtements, de maniques ou d'autres matériaux inflammables entrer en contact avec un élément chauffant.



MISE EN GARDE

NE PAS positionner de serviettes ou autres éléments sur les poignées de la porte du four. Ceux-ci pourraient s'enflammer et entraîner des brûlures.



MISE EN GARDE

N'utilisez jamais votre four comme espace de rangement. Les matériaux combustibles (papier, plastique, etc.) peuvent s'enflammer et les objets métalliques peuvent devenir brûlants et provoquer des brûlures.



MISE EN GARDE

Si des matériaux à l'intérieur du four s'enflamment, gardez la porte fermée. Éteignez l'appareil et coupez le courant au niveau du disjoncteur.



MISE EN GARDE

Ne JAMAIS se saisir ou déplacer une casserole enflammée.

Si possible, utilisez un extincteur polyvalent à poudre ou à mousse.

Ne pas utiliser d'eau.

- Ne pas se suspendre à la porte ni laisser les enfants s'y balancer.
- Ne JAMAIS laisser d'enfants seuls ou sans surveillance près de la cuisinière lorsque celle-ci est en fonctionnement ou encore chaude.
- Ne JAMAIS laisser d'enfants s'asseoir ou marcher sur des éléments de la cuisinière, car ils pourraient être blessés ou brûlés.
- Ne pas entreposer d'objets susceptibles d'intéresser les enfants au-dessus de l'appareil. Ils pourraient être gravement blessés en tentant de grimper pour atteindre ces objets.

SÉCURITÉ DES ENFANTS

Cet appareil n'est pas destiné à être utilisé par des personnes (y compris les enfants) dont les capacités physiques, sensorielles ou mentales sont différentes ou réduites, ou qui manquent d'expérience ou de connaissances, à moins que ces personnes n'aient été supervisées ou aient suivi la formation nécessaire à l'utilisation de l'appareil par une personne responsable de leur sécurité.

INFORMATIONS GÉNÉRALES

INSTRUCTIONS GÉNÉRALES DE CUISINE

- En cas de rupture, de fêlure et/ou de fissure du verre, éteindre immédiatement le four et le débrancher du secteur d'alimentation électrique. S'adresser au service d'assistance.
- Ne pas allumer l'appareil avec les mains humides ni en étant en contact avec de l'eau.
- La décoloration de l'émail est sans effet sur les performances du four.
- Les aimants peuvent provoquer des rayures. Ne pas utiliser la surface en acier inoxydable comme tableau d'affichage magnétique.
- L'utilisation d'un appareil de cuisson génère de la chaleur et de l'humidité dans la pièce où il est installé. S'assurer que la cuisine est correctement ventilée. Veiller à ce que les orifices de ventilation naturels restent ouverts ou installer une ventilation mécanique. L'utilisation prolongée ou intensive de la cuisinière peut nécessiter une ventilation supplémentaire (par ex. l'ouverture d'une fenêtre) ou plus efficace (par ex. une ventilation mécanique de capacité supérieure).
- Une fois la cuisinière installée conformément aux instructions d'installation, il est important de veiller à ce que l'arrivée d'air ne soit pas obstruée. Ne pas obstruer les ouvertures ni les orifices de ventilation et de dissipation de la chaleur.
- Ne pas introduire d'objets dans les fentes.
- Ne pas utiliser de sprays aérosols à proximité de l'appareil en fonctionnement.
- Pendant l'utilisation, l'appareil devient chaud. NE PAS toucher la vitre de la porte du four ni les panneaux de la porte du four.
- Manipuler la porte du four avec précaution. Laisser l'air chaud ou la vapeur sortir avant d'introduire ou de retirer des aliments.
- Utiliser uniquement des maniques sèches. Des maniques humides ou imbibées d'eau peuvent provoquer des brûlures de vapeur en entrant en contact avec les surfaces chaudes. Ne pas laisser la manique entrer en contact avec les surfaces chaudes. Ne pas utiliser de serviette ou tout autre linge épais.
- TOUJOURS mettre en place les grilles du four aux niveaux souhaités pendant que le four est froid.
- TOUJOURS éviter d'introduire les mains dans le four pour ajouter ou retirer des aliments. Si une grille doit être manipulée alors qu'elle est chaude, utiliser une manique sèche.
- Pendant et après l'utilisation, NE PAS toucher ou laisser de vêtements ou tout autre matériau inflammable entrer en contact avec des éléments chauffants, avec les zones près de ces éléments ou avec des surfaces intérieures du four tant qu'ils n'ont pas suffisamment refroidi. D'autres surfaces du four peuvent devenir très chaudes et causer des brûlures, comme les orifices de ventilation du four, la surface près de ces orifices et la fenêtre de la porte du four.

Les oiseaux possèdent un système respiratoire très sensible. Maintenir les oiseaux domestiques hors de la cuisine ou des autres pièces dans lesquelles les fumées de la cuisine peuvent pénétrer.



MISE EN GARDE

Les pièces accessibles peuvent devenir très chaudes pendant l'utilisation. Des précautions doivent être prises pour éviter de toucher les éléments chauffants à l'intérieur du four.

INFORMATIONS GÉNÉRALES

INSTRUCTIONS RELATIVES À LA CUISSON AU FOUR

- Une mauvaise utilisation de la porte du four (par exemple, marcher dessus, s'asseoir dessus ou s'appuyer dessus) peut entraîner des risques de blessures et endommager le produit.
- Ne pas exercer de pression sur la porte ouverte.
- Ne pas utiliser la porte du four comme surface de travail ou étagère.
- Garder les portes fermées, sauf si cela est nécessaire pour cuisiner ou faire le ménage.
- Ne pas laisser la porte du four ouverte pour accélérer son refroidissement.
- S'assurer qu'aucun objet n'est coincé susceptible d'empêcher la porte du four de se fermer.
- Les brusques variations de température peuvent provoquer la rupture du verre ; aussi, ne pas verser de liquides froids sur la porte du four.
- Ne poser aucun objet ni papier sulfurisé au fond de la cavité du four. Après la cuisson, le refroidissement doit s'effectuer avec la porte fermée afin d'éviter d'endommager les meubles adjacents.
- NE PAS cuire directement sur le fond de four. Cela pourrait endommager la cuisinière. Toujours utiliser les grilles en cas de cuisson au four.
- Ne JAMAIS utiliser de feuilles d'aluminium pour couvrir les grilles ou le fond de four. Cela pourrait entraîner un risque de décharge électrique, d'incendie ou de dommage à la cuisinière. Le papier aluminium peut provoquer des craquelures et/ou des fissures dans l'émail du four. Les feuilles d'aluminium doivent être utilisées conformément aux consignes données dans ce manuel.
- NE PAS faire chauffer de conteneurs alimentaires fermés. L'accumulation de pression peut faire exploser le conteneur et engendrer des blessures.
- Lors de l'ouverture de la porte du four, faire attention à l'échappement de vapeur chaude qui expose à des risques de brûlures.
- Ne JAMAIS laisser un récipient de cuisson chauffer à sec ; cela pourrait abîmer l'ustensile et la cuisinière.
- Ne pas placer de casseroles/récipients résistant à la chaleur ou autres objets directement sur la surface inférieure du four.
- Les récipients en plastique non adaptés aux températures élevées peuvent fondre et endommager le four voire prendre feu.
- Ne pas utiliser de plastique pour couvrir les aliments. Utiliser uniquement du papier aluminium ou des couvercles allant au four.
- Ne pas placer directement de l'eau à l'intérieur du four chaud.
- Ne pas laisser de plats humides ni d'aliments à l'intérieur du four une fois la phase de cuisson terminée.
- TOUJOURS laisser refroidir les substances grasses utilisées pour la friture avant de les déplacer ou de les manipuler.
- Faire particulièrement attention lors de la cuisson d'aliments contenant une grande quantité d'alcool : ils pourraient s'enflammer.
- Les jus de fruits, les liquides sucrés et les sirops peuvent tacher de façon indélébile l'émail ; utiliser des plats profonds pour éviter les fuites. Essuyer toute goutte avant le cycle de cuisson suivant.
- Suivre les consignes du fabricant en cas d'utilisation de sacs de cuisson.
- Pour les tartes très humides, utiliser une lèchefrite.
- TOUJOURS éteindre le four une fois la cuisson terminée.
- Après la cuisson, le refroidissement doit s'effectuer avec la porte fermée afin d'éviter d'endommager les meubles adjacents.
- Laisser refroidir les ustensiles de cuisine chauds dans un endroit sûr, hors de portée des enfants.
- Ne pas nettoyer l'appareil tant qu'il est encore chaud.

INFORMATIONS GÉNÉRALES

INSTRUCTIONS RELATIVES AU NETTOYAGE DU FOUR

- Éteindre l'appareil et attendre que toutes ses parties aient refroidi avant de les toucher ou de les nettoyer.
- Nettoyer le four avec prudence. Pour éviter les brûlures dues à la vapeur, NE PAS utiliser d'éponge ou de linge humide pour nettoyer la cuisinière tant qu'elle est chaude. Certains produits nettoyants génèrent des fumées nocives en cas de contact avec une surface chaude. Suivre les consignes données par le fabricant du produit nettoyant.
- NE PAS nettoyer, frotter, abîmer, déplacer ou retirer le joint de la porte. Il est essentiel afin de garantir une fermeture hermétique lors de l'utilisation du four. Si le joint est usé ou excessivement sali par des particules alimentaires, il doit être remplacé afin de garantir une bonne étanchéité.
- NE PAS toucher l'ampoule électrique du four chaud avec un linge humide, cela pourrait la faire éclater. Si l'ampoule venait à se casser, débrancher l'alimentation électrique de la cuisinière avant de retirer l'ampoule afin d'éviter toute décharge électrique.
- Pendant le cycle d'auto-nettoyage, les surfaces externes peuvent devenir plus chaudes que la normale.
- En cas d'incendie du four pendant le cycle d'autonettoyage, éteindre le four et attendre que le feu s'éteigne. Ne pas forcer l'ouverture de la porte. L'introduction d'air frais aux températures d'autonettoyage peut provoquer des flammes jaillissant du four et entraîner de graves brûlures.
- Lors de l'élimination des saletés pendant l'autonettoyage, de petites quantités de monoxyde de carbone peuvent être créées et l'isolant en fibre de verre pourrait dégager de très petites quantités de formaldéhyde au cours des premiers cycles de nettoyage. Pour minimiser l'exposition à ces substances, veiller à bien aérer la pièce en ouvrant une fenêtre ou en utilisant un système de ventilation à ventilateur ou à hotte.

AVERTISSEMENTS RELATIFS À L'APPAREIL

- Lors de l'ouverture de la porte du four, faire très attention à la vapeur qui s'échappe : risque de brûlure !
- Ne pas obstruer les ouvertures ni les orifices de ventilation et de dissipation de la chaleur.

FONCTIONNEMENT À DISTANCE

Cet appareil peut être configuré pour permettre une utilisation à distance à tout moment.



MISE EN GARDE

Ne aucun stocker matériau inflammable ou objet sensible à la température à l'intérieur, sur ou près des éléments de surface de l'appareil.

INTERFÉRENCES TÉLÉ/RADIO

Cet appareil génère et utilise de l'énergie à fréquence ISM. S'il n'est pas installé et utilisé correctement, en stricte conformité avec les instructions du fabricant, il peut provoquer des interférences avec la réception radio et télévision.

Il a été testé et jugé conforme aux limites applicables aux équipements ISM conformément à la partie 18 des règles de la FCC, qui sont conçues pour fournir une protection raisonnable contre de telles interférences dans une installation résidentielle.

Aucune garantie ne peut cependant être donnée quant à l'absence d'interférences pour une installation donnée.

Allumez et éteignez l'appareil pour déterminer s'il provoque des interférences.

Pour corriger les interférences, essayez les solutions suivantes :

- Nettoyer la porte et la surface d'étanchéité du four.
- Réorienter l'antenne de réception de la radio ou de la télévision.
- Déplacer le four à micro-ondes par rapport au récepteur.
- Éloigner le four à micro-ondes du récepteur.
- Brancher le micro-ondes dans une autre prise afin que le four et le récepteur soient sur des circuits de dérivation différents.

Le fabricant décline toute responsabilité en cas d'interférences radio ou TV causées par une modification non autorisée de ce four à micro-ondes. Il incombe à l'utilisateur de corriger ces interférences.



MISE EN GARDE

Risque de brûlure

La porte du four, en particulier la vitre, peut devenir très chaude. NE PAS toucher la vitre de la porte du four ni les panneaux de la porte du four.



MISE EN GARDE

Avertissement – risque de basculement

Les enfants et les adultes peuvent faire basculer le four si celui-ci n'a pas été fixé au mur.

ce qui pourrait entraîner des blessures mortelles.

INFORMATIONS GÉNÉRALES



MISE EN GARDE

Cancer et troubles de la reproduction -
www.P65Warnings.ca.gov.

Le non-respect des instructions d'installation peut occasionner des blessures graves, voire mortelles, aux enfants et aux adultes.

AVANT LA PREMIÈRE UTILISATION

- Retirez tout film protecteur éventuellement présent sur les surfaces en acier inoxydable.
- Retirez et lavez tous les accessoires.
- Remplacez les grilles, la plaque et les autres accessoires de la cavité du four.
- Toutes les parties en acier inoxydable doivent être nettoyées avec de l'eau chaude savonneuse et un détergent liquide adapté à l'acier inoxydable.
- En présence de dépôts, ne pas utiliser de laine d'acier, de linges abrasifs, de produits ou de poudres nettoyants !
- Si l'acier inoxydable doit être gratté pour en retirer les incrustations, mouiller avec un chiffon humide et chaud pour ramollir le dépôt, puis utiliser une raclette en bois ou en nylon.
- Ne pas utiliser de couteau, de spatule ou tout autre ustensile en métal pour gratter l'acier inoxydable. Les rayures sont très difficiles à éliminer.
- Consultez le manuel d'utilisation pour connaître les instructions d'installation des grilles télescopiques.
- Avant d'utiliser le four, veuillez à lire le présent manuel.
- Faites fonctionner le four (cavité principale dans le cas d'un four combiné) pendant 15 à 30 minutes à 500 °F en mode rôtissage par convection avec ajout de vapeur sans y placer d'aliments (pendant cette opération, il est normal que les résidus de fabrication produisent un peu de fumée et d'odeurs). – Suivez les instructions du programme pour exécuter correctement le programme de torréfaction par convection avec vapeur.
- Laissez le four refroidir.
- Ouvrir la porte et laisser le four s'aérer pendant 15 minutes.
- Nettoyer l'intérieur du four avec un chiffon humide et un détergent neutre (ne pas utiliser de poudres abrasives).

UTILISATION DU FOUR

PANNEAU DE COMMANDE

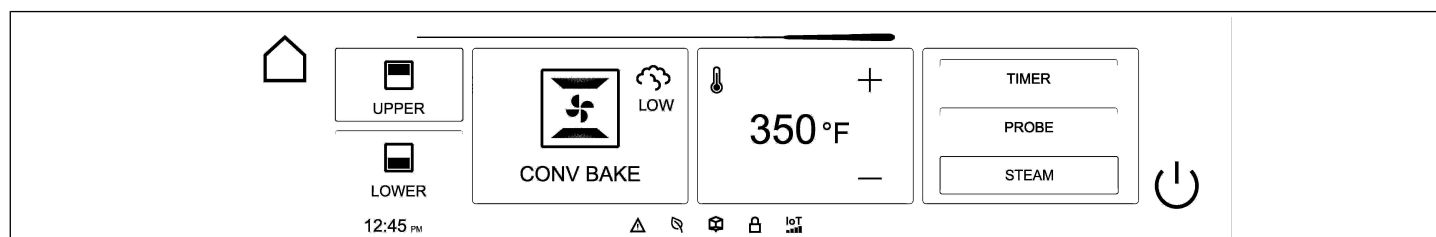



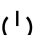


Fig. 1

L'écran est tactile. L'utiliser pour naviguer dans les menus et gérer le four.

La fonction sélectionnée est colorée.

Les 4 boutons tactiles permettent de sélectionner les fonctions essentielles.

	Home (Page d'accueil)	pour revenir à la page menu.
	Back (Page précédente)	pour revenir à la page précédente.
	Play/Pause (Lecture/Pause)	pour démarrer ou mettre en pause la fonction de cuisson
	ON/OFF (ALLUMÉ/ÉTEINT)	pour allumer ou éteindre le four ou désactiver la fonction de cuisson

La barre supérieure indique l'état du préchauffage, de la minuterie et de la sonde.

Dans la barre inférieure, des icônes indiquent les réglages du four : Eco Mode (Mode Éco), Demo Mode (Mode Démo), Wi-Fi connection (Connexion Wi-Fi), Warning (Avertissement) (En touchant le symbole d'avertissement, une fenêtre contextuelle affiche le problème à résoudre)

UTILISATION DES COMMANDES TACTILES

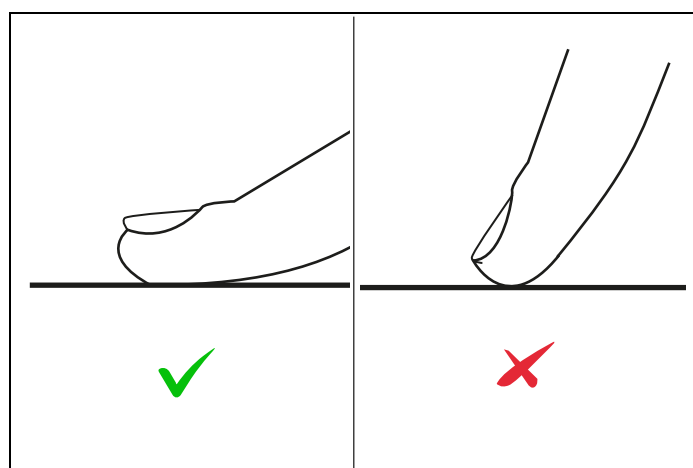


Fig. 2

- Les commandes sont tactiles, il n'est donc pas nécessaire d'exercer une pression.
- Utilisez la pulpe de votre doigt et non le bout.
- Chaque contact détecté produit un signal sonore.
- Veillez à ce que les commandes soient toujours propres et sèches.

UTILISATION DU FOUR

HOME MENU

En mode veille, l'interface affiche l'heure.

Si le four est connecté au Wi-Fi, la date s'affiche également.

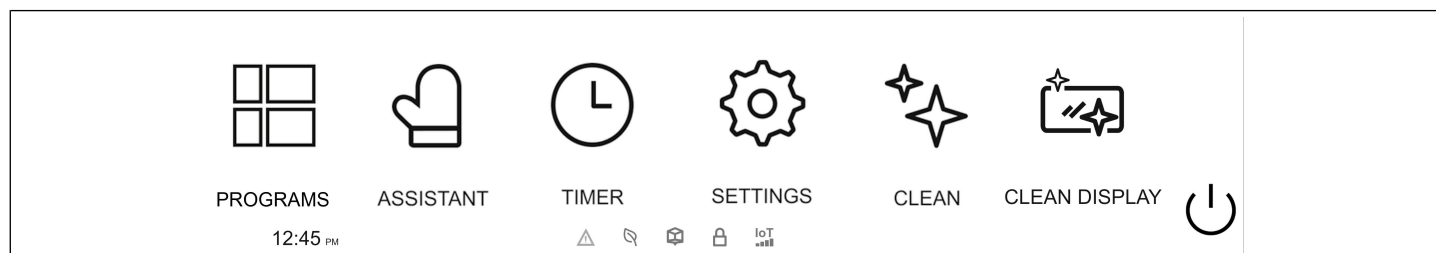


Fig. 3

Sur chaque écran, appuyez sur HOME pour accéder au menu principal.

- Programmes : permet de gérer les modes de cuisson du four.
- Assistant : permet de gérer l'assistant Bertazzoni
- Timer (Minuterie) : permet de régler la minuterie.
- Settings (Paramètres) : permet de personnaliser le four.
- Clean (Nettoyage) : permet de gérer les modes de nettoyage.
- Clean Display (Nettoyage de l'écran) : verrouille l'écran pendant 10 secondes pour permettre le nettoyage de la façade.

PARAMÈTRES

Le menu des paramètres permet de personnaliser certains réglages de base du four.

- LANGUAGE (LANGUE) : permet de choisir la langue des messages. Les langues disponibles sont l'anglais (langue par défaut), le français, l'espagnol et l'italien.
- TIME (HORLOGE) : permet de régler le format d'affichage de l'heure (12 h ou 24 h) et l'heure (si le four est connecté, l'heure ne peut pas être modifiée).
- CONNECTIVITY (CONNECTIVITÉ) : permet de connecter le four au Wi-Fi de la maison, de télécharger l'application et de l'appairer au four. Lorsque le four est connecté, l'icône IdO apparaît dans la barre d'état. Suivez les instructions de l'application Bertazzoni pour connecter le four.
- ECO : permet de réduire la consommation électrique du four. La luminosité est automatiquement réduite au minimum et la lumière du four s'éteint pendant la cuisson. Le four passe en veille prolongée (durée non affichée) 60 secondes après la fin de la cuisson ou en cas d'inactivité. Lorsque ce mode est activé, l'icône ECO apparaît dans la barre d'état.
- BRIGHTNESS (LUMINOSITÉ) : permet de régler la luminosité de l'écran.
- AUDIO (AUDIO) : permet de régler le volume du haut-parleur du four.
- SHOWROOM MODE (MODE EXPOSITION) : Permet de sélectionner le mode DÉMO pour les showrooms. Dans cette configuration, l'écran fonctionne, mais le four ne consomme pas d'énergie et ne chauffe pas. Une alimentation de 120 V suffit pour utiliser le MODE SHOWROOM. Lorsque ce mode est activé, l'icône correspondante apparaît dans la barre d'état.

En mode standby (veille), touchez l'écran pour accéder directement aux programmes de cuisson.

ARRÊT AUTOMATIQUE

Après 5 minutes d'inactivité, le four passe en mode standby (veille) (l'horloge s'affiche).

Le système de refroidissement continue de fonctionner après l'arrêt du four si celui-ci n'a pas complètement refroidi.

UTILISATION DU FOUR

IOT (IDO)



Fig. 4

Cet appareil peut être compatible avec le réseau. L'installation de l'application Bertazzoni sur votre mobile et la connexion de votre appareil au Wi-Fi vous permettent de le contrôler et de le surveiller à distance.

Dans le menu Settings (Paramètres), sélectionnez CONNECTIVITY (CONNECTIVITÉ), puis suivez les instructions de l'application Bertazzoni pour connecter le four au Wi-Fi.

L'installation IOT (IdO) est très importante en cas de problème, car elle permet également d'effectuer un autodiagnostic via l'application pour smartphone ou en contactant le service d'assistance.

L'IOT (IdO) vous permet également de mettre à jour le logiciel de l'appareil avec la dernière version prise en charge. Comme pour les applications mobiles, la mise à jour du logiciel peut corriger des bugs ou débloquer de nouvelles fonctions du four.

Les mises à jour disponibles peuvent être consultées sur l'application Bertazzoni.

Téléchargez l'application Bertazzoni en utilisant le code QR ci-dessous.



Fig. 5

FONCTIONS DU FOUR

POSITIONS DES PLATEAUX

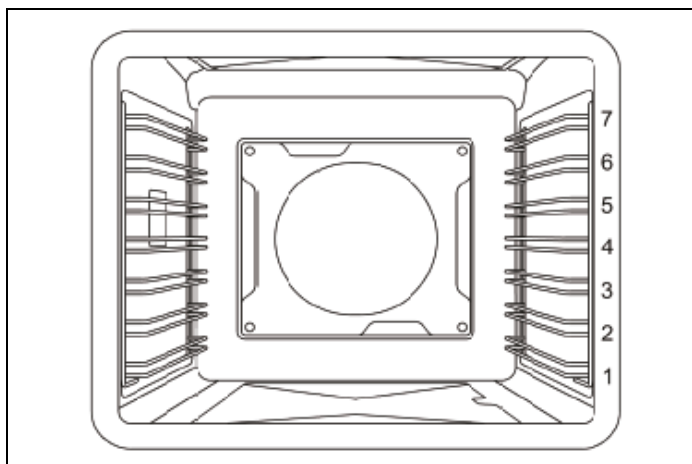


Fig. 6

Les plateaux sont montés sur les guides correspondants situés sur les côtés du compartiment du four.

Insérer le plateau entre le guide supérieur et inférieur, dans l'une des 7 positions indiquées.

VENTILATEUR DE REFROIDISSEMENT

Le four est équipé d'un système de refroidissement conçu pour empêcher toute surchauffe des parties accessibles au toucher.

Le système de refroidissement s'allume et s'éteint automatiquement et fonctionne à différents niveaux de puissance en fonction de sa fonction et de la température (il est normal qu'il continue de fonctionner après l'arrêt du four). Lorsque le système de refroidissement fonctionne, un flux d'air souffle depuis la grille d'aération située sous la porte du four.

Il s'éteindra lorsque la température baissera.



NOTE

Il est normal que le processus de refroidissement expulse l'air chaud dans la pièce lorsque le four est chaud.

PRÉCHAUFFAGE DU FOUR

La plupart des temps de cuisson indiqués dans les recettes sont prévus pour un four préchauffé et supposent que celui-ci soit déjà chaud.

Assurez-vous que la température réglée est atteinte avant d'enfourner les aliments.

Le temps de préchauffage dépend du réglage de la température et du nombre de grilles présentes dans le four.

Le four est doté d'un programme de préchauffage rapide automatique qui permet d'atteindre plus rapidement la température réglée. Durant cette phase, il n'est pas recommandé de placer les aliments au four, car celui-ci utilise une partie de la puissance du grill.

Pendant la phase de préchauffage, une barre située en haut de l'écran indique l'état du préchauffage.

Lorsque la température réglée est atteinte, un signal sonore et une notification contextuelle indiquent que l'on peut enfourner les aliments.

La fonction de préchauffage rapide ne fonctionne pas en mode grill.

FONCTIONS DU FOUR

UTILISATION DU FOUR

- 1) Positionner la grille à la hauteur souhaitée et fermer la porte.
- 2) Sélectionnez le programme de cuisson en faisant glisser les TUILES de l'interface utilisateur de gauche à droite.
 - 2.1) Sélectionnez de la cavité du four
 - 2.2) Sélectionnez la fonction en faisant défiler le menu
 - 2.3) Sélectionnez la température souhaitée en appuyant sur « +/- » (s'il est nécessaire de prérégler une température différente de la température) – il est possible de régler la température à l'aide du pavé numérique en appuyant sur la touche de température.
 - 2.4) Réglez le niveau de vapeur (si nécessaire dans la recette et si disponible selon la fonction de cuisson sélectionnée).

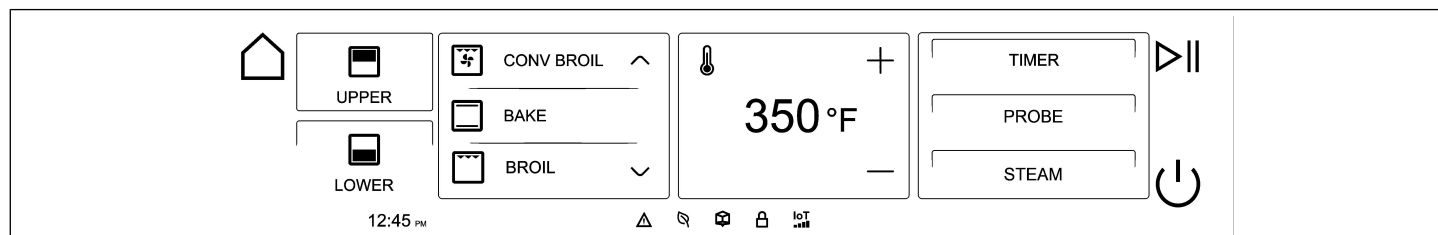


Fig. 7

La lumière à l'intérieur du four s'allumera et le préchauffage commencera dans quelques secondes, affichant la progression sur l'écran.

La fin du préchauffage sera confirmée par un l'émission d'un son.

Placer les aliments dans le four dès que la température définie a été atteinte.

À tout moment, il est possible de modifier n'importe quel paramètre en touchant la CARTE que vous souhaitez modifier.

Il est possible d'arrêter la cuisson en touchant l'icône « 1/0 »

QUICK START (DÉMARRAGE RAPIDE)

Pour les recettes simples, il est possible de commencer à cuisiner en seulement 4 touches.

- 1) Touchez l'écran pour allumer le four
- 2) Sélectionnez de la cavité du four
- 3) Sélectionnez la fonction en faisant défiler le menu
- 4) Appuyez sur le bouton « Play » (Lecture).

La lumière à l'intérieur de la cavité s'allumera et le four commencera le PRÉCHAUFFAGE à la température suggérée pour la fonction sélectionnée.

MODES DE CUISSON AU FOUR

Le four est équipé de 4 éléments de chauffage, à utiliser seuls ou en combinaison pour créer différents modes de cuisson :

- Élément de cuisson supérieur
- Élément de cuisson inférieur
- Élément de cuisson au grill
- Élément de cuisson par convection

Le réglage de la température et les temps de cuisson peuvent varier légèrement d'un four à un autre. Il est possible que les recettes et les temps de cuisson doivent être ajustés en conséquence.

CUISSON

Chaleur produite par l'élément supérieur et l'élément inférieur

Utiliser cette fonction pour les cuissons au four et les ragoûts sur un seul niveau.

- Cuisson au four standard : niveau 3 ou 4
- Cuisson d'aliments hauts : niveau 3
- Tartes : niveau 2 ou 3 pour une bonne cuisson du fond de tarte sans que le dessus ne brunisse trop.
- Grosses pièces de viande ou volaille: niveau 2.

FONCTIONS DU FOUR

CUISSON PAR CONVECTION (ASSISTANCE VAPEUR DISPONIBLE)

Chaleur produite par les éléments supérieur et inférieur du four avec convection par ventilateur

Utiliser ce mode de cuisson pour faire cuire différents aliments en même temps, sans transmission de goût.

Le ventilateur fait circuler l'air chaud dans le four et assure la cuisson homogène de grandes quantités d'aliments. Utiliser pour faire rôtir des légumes, de la viande, de la volaille ou du poisson.

Ce mode de cuisson est idéal pour cuire des produits congelés et du poisson ou du poulet pané.

Il peut être utilisé pour cuire des gâteaux, des cookies, des biscuits et d'autres aliments sur plusieurs niveaux.

Utiliser le même niveau que celui du mode « BAKE » (cuisson au four standard).

En cas d'utilisation de 2 niveaux, utiliser les niveaux 3 et 5.

CONVECTION (ASSISTANCE VAPEUR DISPONIBLE)

Chaleur produite par l'élément de convection et circulation de l'air par ventilateur

Ce mode de cuisson peut être utilisé pour un grand nombre de recettes, en veillant à ajuster la durée de cuisson.

En utilisant la convection, une durée inférieure est généralement nécessaire pour atteindre les résultats escomptés.

La température est uniforme dans tout le four, ce qui est particulièrement adapté pour une cuisson sur plusieurs niveaux ou pour cuire une grande quantité d'un même produit.

- Une seule grille : utiliser le même niveau que celui du mode de cuisson traditionnel.
- 2 plaques : utiliser les niveaux 3 et 5.
- 3 plaques : utiliser les niveaux 2, 4 et 6.

GRILL

Chaleur produite uniquement de l'élément supérieur.

La fonction « BROIL » (grill) génère une chaleur intense depuis le haut de la cavité. Le mode de cuisson au grill est efficace avec les aliments placés sur les niveaux supérieurs.

Trois niveaux de température possibles : LOW - MEDIUM - HIGH.

- Bifteks, steaks de viande hachée, côtelettes d'agneau d'1 pouce ou moins : niveau 6.
- Viandes de 2,5 cm d'épaisseur ou plus, poisson, volaille, côtelettes de porc, steaks de jambon de 2,5 cm ou plus : niveau 5.
- Brunir des aliments : niveau 6 (pas plus de 15 minutes).

GRILL PAR CONVECTION (ASSISTANCE VAPEUR DISPONIBLE)

Chaleur produite par l'élément supérieur et convection du flux d'air avec ventilateur.

Utiliser ce réglage pour dorer et cuire les aliments uniformément de tous les côtés. Il est également recommandé pour des aliments délicats et difficilement retournables, comme le poisson. Le ventilateur permet la circulation de l'air autour des aliments et une cuisson uniforme. Il est possible que le degré de cuisson de chaque côté soit différent.

Trois niveaux de température possibles : LOW - MEDIUM - HIGH.

Le mode de cuisson avec le grill à convection doit être utilisé sur un seul niveau :

- Saucisses et morceaux de poulet : niveau 5 ou 6.
- Aliments à teneur élevée en eau, comme le bacon et les côtelettes : niveau 5 ou 6

RÔTISSAGE PAR CONVECTION (ASSISTANCE VAPEUR DISPONIBLE)

Chaleur produite par le grill et les éléments supérieur et inférieur du four avec convection par ventilateur

Utiliser ce réglage pour rôtir en une seule étape.

Le ventilateur fait circuler l'air chaud dans le four et assure la cuisson homogène de grandes quantités d'aliments. Utiliser pour faire rôtir des légumes, de la viande et de la volaille.

Utiliser le même niveau que celui du mode « BAKE » (cuisson au four standard).

FONCTIONS DU FOUR

PIZZA (ASSISTANCE VAPEUR DISPONIBLE)

Chaleur produite par l'élément inférieur du four et l'élément circulaire, et convection par ventilateur

À utiliser pour la cuisson de pizzas, pâtisseries ou pains plats afin que le dessous soit parfaitement cuit.

Utiliser le niveau 3 ou 2 pour que le dessous d'une pâte soit bien cuit.

CUISSON AIR FRY

Chaleur produite par le grill avec convection par ventilateur

Utiliser ce réglage pour griller des aliments en combinaison avec une circulation d'air chaud.

Régler la température souhaitée en fonction de la recette (de 350°F à 480°F). Dès que la température souhaitée est atteinte, enfourner le plateau avec les aliments à cuire.

Retirer les aliments du four lorsque le minimum de temps recommandé est écoulé, afin de vérifier le niveau de cuisson et éviter la cuisson ou le brunissage excessif.

Utiliser le niveau 5.

Pour obtenir les meilleurs résultats, utiliser la plaque Air Fry, le cas échéant, avec le four et disposer les aliments en une seule couche.

PLUS

DÉSHYDRATATION

Chaleur produite par l'élément de convection et circulation de l'air par ventilateur

Utiliser ce réglage pour déshydrater les aliments, les fleurs et les légumes (prérégler la température à 120°F).

Ne pas ouvrir la porte du four pendant la déshydratation.

Utiliser le niveau 2 ou 3.

LEVAGE

Utiliser ce réglage pour maintenir la chaleur nécessaire pour faire lever une préparation (prérégler la température à 120°F).

Il est préférable de commencer avec le four froid en cas d'utilisation de cette fonction.

Ne pas ouvrir intempestivement la porte du four.

Utiliser le niveau 2 ou 3.

RÉCHAUFFAGE

Chaleur produite par l'élément de convection et circulation de l'air par ventilateur

Disponible en 3 niveaux de température :

- WARM LOW 140 (CHAUD MINIMAL 140)°F
- WARM MED 170 (CHAUD MOYEN 170)°F
- WARM HIGH 200 (CHAUD ÉLEVÉ 200)°F

Utiliser le niveau 2 ou 3.

Réchauffement

Chaleur produite par l'élément de convection et circulation de l'air par ventilateur et vapeur

Utiliser ce réglage pour réchauffer délicatement des plats déjà cuits ou préparer des pâtisseries à l'avance (température prérégulée à 250°F).

Le temps nécessaire peut varier en fonction de la quantité d'aliment ou du récipient utilisé.

Utiliser ce réglage pour réchauffer des aliments en utilisant

Utiliser le niveau 2 ou 3.

Sabbath

Méthode de chauffage à utiliser pendant les périodes d'observance strictes.

Utiliser le niveau 2 ou 3.

FONCTIONS DU FOUR

CONDENSATION

Il est normal qu'une certaine quantité d'humidité s'évapore des aliments lors de tout processus de cuisson.

La quantité dépend de la teneur en humidité des aliments ou de la quantité de vapeur produite pour la cuisson.

L'humidité se condensera sur les surfaces plus froides que l'intérieur du four, par exemple le panneau de commande.

Pour limiter la formation de condensation, assurez-vous que le four est correctement préchauffé avant d'y introduire les aliments.

UTILISATION DE FEUILLES D'ALUMINIUM DANS LE FOUR

Une feuille peut être utilisée pour couvrir les aliments dans le four, mais celle-ci ne doit pas se situer à proximité immédiate des éléments du four ou le ventilateur du four. Ne pas utiliser de feuilles d'aluminium pour recouvrir la cavité du four ou un récipient placé sur le grill. Les surfaces émaillées pourraient surchauffer, se déformer et se craqueler.

OBTENIR LES MEILLEURS RÉSULTATS

- Réduire autant que possible le nombre d'ouvertures et de fermetures de la porte du four pendant son utilisation.
- Utiliser le niveau recommandé pour la recette et affiner le positionnement selon vos expériences passées.
- Utiliser le plat à four recommandé pour la recette.
- Nous vous recommandons de placer les aliments au centre de la grille.
- La cuisson continuera avec la chaleur résiduelle. Retirer immédiatement le plat du four pour éviter qu'il ne soit trop cuit.
- La température réglée et les temps de cuisson peuvent varier légèrement d'un four à un autre. De légères modifications des recettes peuvent être nécessaires.
- Les temps de cuisson dépendent du poids, de l'épaisseur et de la qualité des aliments.
- Augmenter la température ne diminue pas les temps de cuisson, mais peut entraîner une surcuisson des aliments.
- Pour obtenir des croûtes tendres et dorées, utiliser des récipients métalliques anti-adhérents/anodisés ou polis.
- Pour des croûtes foncées et croustillantes, utiliser des récipients foncés non-adhérents/anodisés ou en métal de couleur sombre ou un plat à four en verre. Ceci peut nécessiter une température de cuisson plus faible de 25°F (14°C).
- Laisser un espace d'au moins 1 (25,4 mm) entre les récipients et les parois du four, de sorte que la chaleur puisse circuler entre chaque récipient.
- Pour garder le four aussi propre que possible, cuire la viande dans un plat à four plutôt que directement sur les plaques de cuisson.
- Placer les aliments au centre de la grille.
- Retourner et mélanger les plats pour que les aliments chauffent uniformément.
- Pour de nouvelles recettes, choisir la température la plus basse parmi celles proposées, associée à la durée de cuisson la plus courte ; puis évaluer la cuisson du plat et la prolonger, si nécessaire.
- Entreposer le ou les lèche-frites hors du four. Un élément vide présent dans le four aura un impact sur la coloration et la cuisson des aliments.

ÉCONOMIE D'ÉNERGIE

- N'ouvrir la porte du four qu'en cas de besoin afin d'éviter les pertes de chaleur.
- Garder l'intérieur du four propre.
- Retirer tous les accessoires qui ne sont pas actuellement utilisés.
- Éteindre le four quelques minutes avant la durée normalement utilisée, permettant ainsi à la chaleur résiduelle du four de terminer la cuisson.

FONCTIONS DU FOUR

RECOMMANDATIONS POUR LA CUISSON AU FOUR

Aliment	Taille du récipient de cuisson	Réglage de la température	Temps de cuisson total conseillé
Biscuits	Plaque à pâtisserie chaude 12 po x 15 po	375°F	8 à 12 minutes
Gâteaux à étages	Rond de 8 po ou 9 po	350°F	25 à 35 minutes
Gâteaux bas	Poêle de 9 po x 13 po	350°F	30 à 40 minutes
Gâteaux bundt	Plaque à 12 savarins	325°F	60 à 75 minutes
Brownies ou barres chocolatées	Poêle de 9 po x 9 po	325°F	20 à 25 minutes
Biscuits	Plaque à pâtisserie chaude 12 po x 15 po	425°F ou instructions sur l'emballage	10 à 15 minutes
Pains éclair	Moule à pain de 8 po x 4 po	350°F	55 à 70 minutes
Muffins	Plaque à 12 muffins	425°F	14 à 19 minutes
Tartes aux fruits	Diamètre 9 po	425°F	35 à 45 minutes
Clafoutis	Poêle de 9 po x 9 po	400°F	25 à 30 minutes
Pains à la levure ou miches	Moule à pain de 8 po x 4 po	375°F	25 à 30 minutes
Pains moelleux	Poêle de 9 po x 13 po	400°F	12 à 18 minutes
Roulés à la cannelle	Poêle de 9 po x 13 po	375°F	25 à 30 minutes
Gâteaux levés	Plaque à pâtisserie chaude 12 po x 15 po	400°F	20 à 30 minutes

FONCTIONS DU FOUR

RECOMMANDATIONS POUR LA CUISSON AU AIR FRYER

ÉLÉMENT	QUANTITÉ	TEMPÉRATURE	TEMPS
Pommes de terre			
Pommes de terre frites surgelées	30-35 oz	420°F-440°F	15-25 minutes
Frites assaisonnées	25-30 oz	420°F-440°F	20-25 minutes
Petites patates surgelées	40-45 oz	400°F-430°F	20-25 minutes
Galettes de pommes de terre surgelées	25-30 oz	420°F-440°F	20-25 minutes
Quartiers de pommes de terre surgelées	30-35 oz	420°F-440 °F	20-25 minutes
Frites maison*	20-25 oz	380°F-400°F	25-30 min
Quartiers de pommes de terre surgelées*	20-25 oz	380°F-400°F	25-30 min
Aliments surgelés			
Beignets de poulet surgelés	25-30 oz	400°F-440°F	10-15 min
Ailes de poulet surgelées	30-35 oz	400°F-430 °F	20-30 min
Rondelles d'oignon surgelées	20-25 oz	380°F-400°F	15-20 min
Bâtons de poisson surgelés	20-25 oz	380°F-400°F	18-22 min
Languettes de poulet surgelées	25-30 oz	400°F-430°F	20-30 min
Churros surgelés	20-25 oz	380°F-400°F	18-22 min

FONCTIONS DU FOUR

RECOMMANDATIONS POUR LA CUISSON AU GRILL

Aliment	Sélecteur de réglage de la température	Temps de cuisson approximatif	Instructions spéciales et astuces
BŒUF Steaks hachés de bœuf, épaisseur ½ po	Réglage de température fixe 500°F	15 à 20 minutes	Passer au grill jusqu'à ce que le centre ne soit plus rosé
T-Bone	Réglage de température fixe 500°F	12 à 20 minutes	La durée dépend de la cuisson du steak
Bavette	Réglage de température fixe 500°F	12 à 20 minutes	Saignant ou à point
Rôti de rouelle	325°F	20 à 25 min/livre	Les petits rôtis demandent plus de temps par livre ; réduire la durée si la cuisson par convection est utilisée
Rôti de longe de PORC	325°F	20 à 25 min/livre	Poursuivre la cuisson jusqu'à ce que les jus soient clairs
VOLAILLE Désossée et sans peau Blancs de poulet	Réglage de température fixe 500°F	20 à 25 min/livre	Poursuivre la cuisson jusqu'à ce que les jus soient clairs
Pilons de poulet	Réglage de température fixe 500°F	25 à 30 minutes	Enlever la peau ; poursuivre la cuisson jusqu'à ce que les jus soient clairs
Demi poulet	Réglage de température fixe 500°F	30 à 45 minutes	Tourner à l'aide de pinces ; poursuivre la cuisson jusqu'à ce que les jus soient clairs
Poulet rôti	350°F	75 à 90 minutes	Ne pas farcir ; réduire la durée si la cuisson par convection est utilisée.
Dinde	325°F	20 à 25 min/livre	Ne pas farcir ; réduire la durée si la cuisson par convection est utilisée.

FONCTIONS DU FOUR

RÉSOLUTION DES PROBLÈMES LES PLUS FRÉQUENTS EN CAS DE CUISSON AU FOUR

Problème	Cause	Solution
Gâteaux brûlés sur les côtés et pas assez cuits au centre	Four trop chaud Récipient de mauvaise taille	Réduire la température Utiliser un récipient de la taille recommandée
Gâteaux craquelés sur le dessus	Pâte trop épaisse Four trop chaud Récipient de mauvaise taille	Suivre la recette ou ajouter du liquide Réduire la température Utiliser un récipient de la taille recommandée
Le dessous des aliments a noirci	Porte du four ouverte trop fréquemment Position de la grille incorrecte Mauvais réglage du four	Contrôler les aliments à travers la vitre de la porte du four Utiliser la position de grille recommandée Choisir la cuisson conventionnelle ou par convection, selon les besoins
Le dessus des aliments a noirci	Position de la grille incorrecte Four non préchauffé	Utiliser la position de grille recommandée Laisser le four préchauffer
Cookies trop aplatis	Plaque à pâtisserie chaude	Laisser la plaque refroidir entre deux cuissons
Tartes brûlées sur les bords	Four trop chaud Four non préchauffé	Réduire la température Laisser le four préchauffer
Tartes trop claires sur le dessus	Four pas assez chaud Four non préchauffé	Température augmentée Laisser le four préchauffer

FONCTIONS DU FOUR

FONCTIONS TEMPS

MINUTERIES DE CUISSON

La fonction TIMER (Minuterie) permet de gérer les temps de cuisson.

Après avoir réglé la fonction et la température, appuyez sur l'icône du minuteur pour accéder au menu « Timer » (Minuterie).

Temps de cuisson

Utilisez cette fonction pour définir la durée de la recette.

Un signal sonore et une notification sonore indiquent la fin de la cuisson, et le four s'éteint automatiquement.

- 1) Sélectionnez le temps de cuisson.
- 2) Réglez le temps de cuisson à l'aide du clavier en remplissant le champ CUISSON de droite à gauche.
- 3) Appuyez sur « √ »
- 4) Le compte à rebours commence à la fin du préchauffage et l'écran affichera le temps restant en haut à droite.
- 5) La barre supérieure de l'écran affiche le temps de cuisson restant.

La durée maximale réglable est de 10 heures.



NOTE

Pour modifier la durée programmée, accédez au menu « Timer » (Minuterie) et recommencez à partir de l'étape 1.

Start At (Démarrage à)

Utilisez cette fonction pour régler l'heure de début et la durée de cuisson.

À l'heure de début programmée, le four se mettra en marche.

Un signal sonore et une notification sonore indiquent la fin de la cuisson, et le four s'éteint automatiquement.

- 1) Select start at. (Sélectionnez le début)
- 2) Réglez l'heure de départ à l'aide du clavier en remplissant le champ de gauche à droite.
- 3) Appuyez sur « √ ».
- 4) Réglez le temps de cuisson à l'aide du clavier en remplissant le champ de droite à gauche.
- 5) Appuyez sur « √ ».
- 6) La barre supérieure de l'écran affiche le temps de cuisson restant.

La durée maximale réglable est de 10 heures.



NOTE

Pour modifier la durée programmée, accédez au menu « Timer » (Minuterie) et recommencez à partir de l'étape 1.

FONCTIONS DU FOUR

End At (Terminer à)

Utilisez cette fonction pour définir la fin et la durée de la cuisson.

Le four calcule l'heure de démarrage et se mettra en marche.

- 1) Un signal sonore indique la fin de la cuisson, et le four s'éteint automatiquement.
- 2) Select en at. (Sélectionnez la fin)
- 3) Réglez le temps de cuisson à l'aide du clavier en remplissant le champ de gauche à droite.
- 4) Appuyez sur « √ ».
- 5) Réglez le temps de cuisson à l'aide du clavier en remplissant le champ de droite à gauche.
- 6) Appuyez sur « √ ».
- 7) La barre supérieure de l'écran affiche l'heure de début de cuisson avant le démarrage du four et l'heure de fin de cuisson après le démarrage du four.

La durée maximale réglable est de 10 heures.



NOTE

Pour modifier la durée programmée, accédez au menu « Timer » (Minuterie) et recommencez à partir de l'étape 1.



REMARQUE IMPORTANTE

Si les fonctions temps ne sont pas définies, la durée de la cuisson doit être gérée manuellement.

PROBE (SONDE)

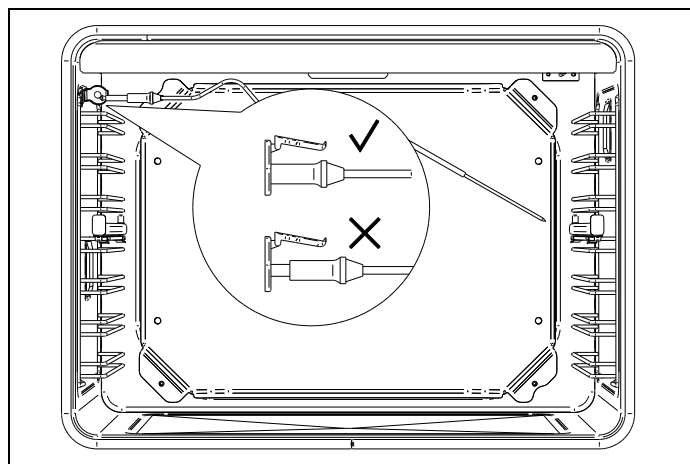


Fig. 8

La sonde de nourriture permet de sélectionner le degré de cuisson en mesurant la température interne de l'aliment.

La sonde indiquera la température au cœur de la viande pendant qu'elle cuit.

Après avoir sélectionné la fonction et réglé la température, appuyer sur l'icône de la sonde.

Programmation de la sonde de nourriture.

- 1) Introduisez l'aiguille de la sonde dans l'aliment. Pour obtenir les meilleurs résultats, la pointe doit se trouver le plus près possible du centre et ne doit pas être au contact de gras, d'os ni autre cavité.

Un mauvais positionnement de la sonde pourrait éteindre le four trop tôt et entraîner une cuisson insuffisante.

Pour la cuisson de volailles, veillez à ce que la sonde ne se trouve pas dans une cavité.

- 2) Enfournez les aliments.
- 3) Brancher la fiche de la sonde à la prise présente à l'intérieur du four (en haut du côté gauche).
- 4) Réglez le temps de cuisson à l'aide du clavier.
- 5) Appuyez sur « √ »

Si le four a déjà terminé le préchauffage, le programme se poursuivra comme prévu.

Si le four n'a pas lancé le préchauffage, le programme démarrera sans préchauffage rapide.

L'écran affiche en permanence la température mesurée dans l'aliment et la température de consigne.

La barre supérieure de l'écran affiche une estimation du temps de cuisson restant, qui devient plus précise à mesure que la température des aliments se rapproche de la température souhaitée.

FONCTIONS DU FOUR

Lorsque la température réglée est mesurée par la sonde, la cuisson s'arrêtera, un signal sonore retentira et un message s'affichera.

Lorsque vous utilisez la sonde de température, les fonctions de minuterie sont désactivées.

VAPEUR

Pour les programmes de cuisson à chaleur tournante, il est possible d'ajouter de la vapeur en cours de cuisson.

Pour les fours doubles, cette fonction est disponible uniquement dans la cavité supérieure.

Grâce à l'ajout de vapeur, les aliments sont cuits de manière délicate et la partie interne reste bien juteuse.

Ajuster la quantité de vapeur permettra d'obtenir de meilleurs résultats de cuisson :

- Croûte croustillante
- Surface brillante
- Cœur doux et juteux
- Réduction minimale du volume

Après avoir réglé la fonction et la température, appuyez sur l'icône vapeur et sélectionnez la quantité de vapeur.

- FAIBLE. Idéal pour les viandes, les volailles, les plats au four.
- MOYEN. Les placer sur les grilles du four avec l'ouverture orientée vers le bas et sans qu'ils ne se touchent.
- FORT. Idéal pour les plats délicats tels que les crèmes, les flans, les timbales et le poisson.

De la vapeur se diffuse à l'intérieur du four à intervalles de temps variables.

Utiliser uniquement des plats résistant à la chaleur et à la corrosion ou des récipients pour aliments en acier inox.

Lors d'une cuisson sur plusieurs niveaux, vérifiez la présence d'un espace entre les différents niveaux afin de permettre à la vapeur de circuler.

Lors de la cuisson à la vapeur, il est possible d'utiliser une sonde alimentaire ou une minuterie.

Pour couper la vapeur ou ajuster la quantité de vapeur réglée, appuyez sur le bouton vapeur de l'écran.

POMPE

Pendant le fonctionnement et après l'arrêt, un bruit semblable à un bourdonnement indique le fonctionnement de la pompe.

RÉSERVOIR D'EAU

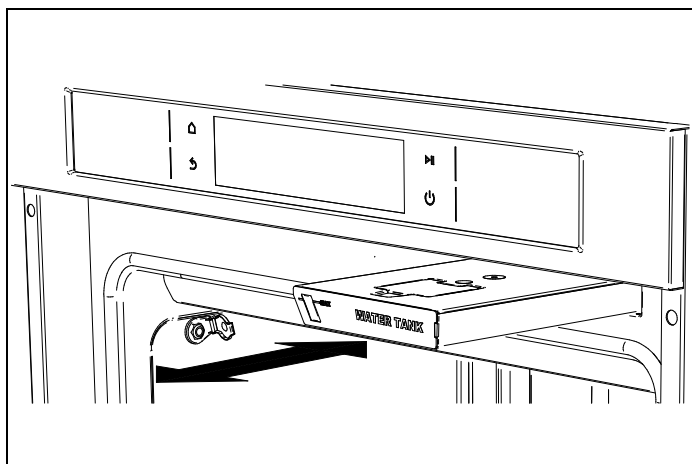


Fig. 9

Le réservoir d'eau se trouve derrière la porte du four, en haut à droite de la cavité.

Avant de lancer le préchauffage, ouvrez la porte et remplissez le réservoir d'eau.

Le réservoir s'ouvre par simple pression.

- 1) Appuyez délicatement sur la partie avant pour extraire le réservoir.
- 2) Tirez-le partiellement.
- 3) Ouvrez le couvercle et remplissez d'eau jusqu'au niveau indiqué - Utilisez uniquement de l'eau potable.
- 4) Fermez le couvercle.
- 5) Replacer le réservoir en le poussant à fond jusqu'à ce qu'il s'enclenche.
- 6) Fermez la porte du four et lancez le programme de cuisson.

Le réservoir d'eau est entièrement amovible pour le nettoyage ou le remplissage (ne pas laver le réservoir d'eau au lave-vaisselle).

À chaque extraction du réservoir, s'assurer que les joints sont intacts et correctement positionnés.



MISE EN GARDE

Remplir le réservoir lorsque le four est chaud peut s'avérer très dangereux en raison de la température élevée qui se dégage de la cavité.

Quelques minutes après la fin du programme de cuisson, l'eau du circuit est automatiquement vidangée dans le réservoir.

Un message vous indique que cette opération est terminée ; vous pouvez alors retirer complètement le réservoir et le vider.



ATTENTION !

NE PAS verser d'eau dans le réservoir. L'eau du réservoir peut être chaude °: vérifier que l'eau a refroidi avant de retirer le réservoir.

ASSISTANT

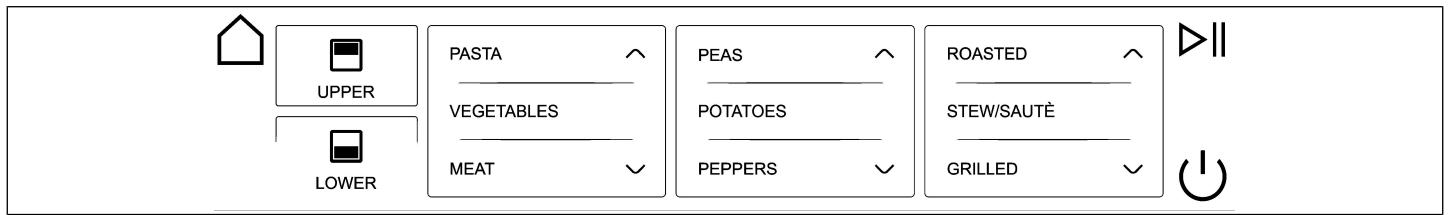


Fig. 10

La fonction d'assistance permet de gérer plusieurs séquences de cuisson prédéfinies pour chaque type d'aliment.

Le système ne fournit pas de recettes, mais commande le four pour en utiliser au mieux les fonctions.

Certaines séquences de cuisson nécessitent de la vapeur ; suivez les instructions affichées. (Pour les fours doubles, les séquences de cuisson à la vapeur ne sont disponibles que dans la cavité supérieure.)

Dans le menu d'accueil, appuyez sur l'icône ASSISTANT.

Sélectionnez la cavité du four

1) Sélectionnez la catégorie voulue d'aliment

- Viande
- Volaille
- Poisson
- Légumes
- Pizza
- Pâtes
- Pain
- Gâteaux

2) Choisissez la séquence de cuisson prédéfinie.

3) Sélectionnez le poids et le degré de cuisson.

4) Utilisez, si nécessaire, la sonde de température.

5) Remplissez le réservoir si la recette nécessite l'utilisation de vapeur.

6) Appuyez sur le bouton Play (Lecture).

Un signal sonore et une notification sonore indiquent la fin de la cuisson, et le four s'éteint automatiquement.

NETTOYAGE

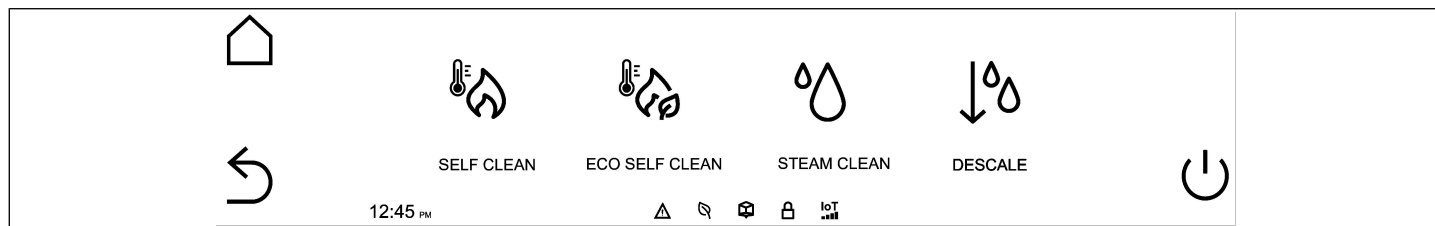


Fig. 11

Les fonctions de nettoyage permettent de garder votre four propre.

Dans le menu principal, appuyez sur l'icône CLEAN (NETTOYAGE).

Sélectionnez l'une des fonctions suivantes, puis la cavité à nettoyer.

SELF CLEAN ET ECO SELF CLEAN (NETTOYAGE AUTOMATIQUE ET NETTOYAGE AUTOMATIQUE ECO)



MISE EN GARDE

Les enfants ne doivent pas être seuls ou laissés sans surveillance à un endroit où les appareils sont utilisés.

Pendant le cycle d'auto-nettoyage, les surfaces externes peuvent devenir plus chaudes que la normale. Des parties de l'appareil peuvent devenir dangereuses pour les enfants et pour toute personne qui ne possède pas les connaissances des appareils et les capacités de réaction suffisantes face à des situations potentiellement dangereuses.

Maintenir ces personnes à l'écart de l'appareil pendant l'auto-nettoyage et l'utilisation de l'appareil.

L'élimination de résidus pendant l'auto-nettoyage peut entraîner l'émission de faibles quantités de produits chimiques ou autres substances pouvant devenir dangereux après une longue exposition.

Pour minimiser l'exposition à ces substances, assurez une ventilation optimale en ouvrant une fenêtre, ou utilisez un ventilateur ou une hotte aspirante.

Gardez les oiseaux de compagnie hors de la cuisine et des autres pièces où ils pourraient être exposés aux émanations de cuisine. Pendant l'auto-nettoyage, l'appareil produit des fumées pouvant être nocives pour les oiseaux.

NETTOYAGE

Pendant le cycle d'auto-nettoyage, l'intérieur du four atteint une très haute température, supérieure à 750° F, pour brûler les résidus d'aliments restés présents.

Pour des raisons de sécurité, la porte du four est automatiquement bloquée et elle n'est débloquée qu'en phase de refroidissement une fois le cycle terminé.

À l'issue du cycle de nettoyage, les résidus brûlés se présentent sous la forme de cendres qui peuvent être facilement éliminées avec une éponge humide.

La durée standard du cycle d'autonettoyage est de 120 minutes.

Le cycle autonettoyant ECO dure 90 minutes et peut être utilisé lorsque le niveau de saleté incrustée et de résidus est faible.

AVANT DE DÉMARRER LA FONCTION AUTO- NETTOYAGE DU FOUR

Avant de lancer un cycle d'autonettoyage ou un cycle d'autonettoyage éco, retirez tous les accessoires et les grilles latérales du four. Veiller à ce que les ampoules d'éclairage et les vitres de protection soient en place. Grâce à l'ajout de vapeur, les aliments sont cuits de manière délicate et la partie interne reste bien juteuse. Enlever également l'eau ou tout résidu de calcaire du fond du four. L'appareil est conçu pour nettoyer la cavité du four et la portion de la porte vitrée qui fait face à la cavité du four. Nettoyer tout résidu se trouvant en dehors de la zone des joints de la porte. Il est normal de voir de petites flammes ou de la fumée se former à l'intérieur du four.

NETTOYAGE

RETIREZ LES GRILLES

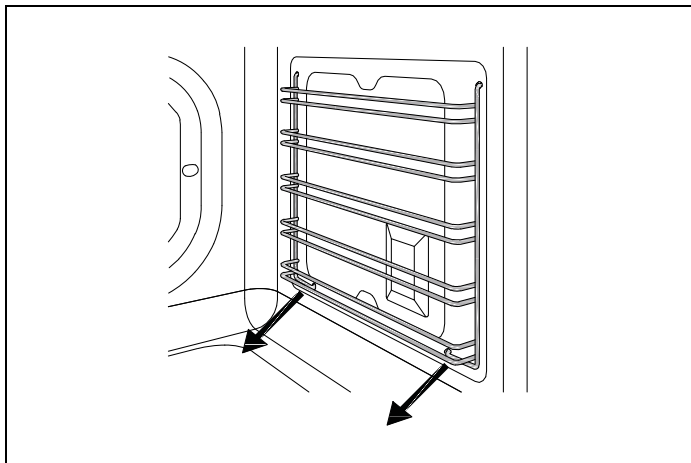


Fig. 12

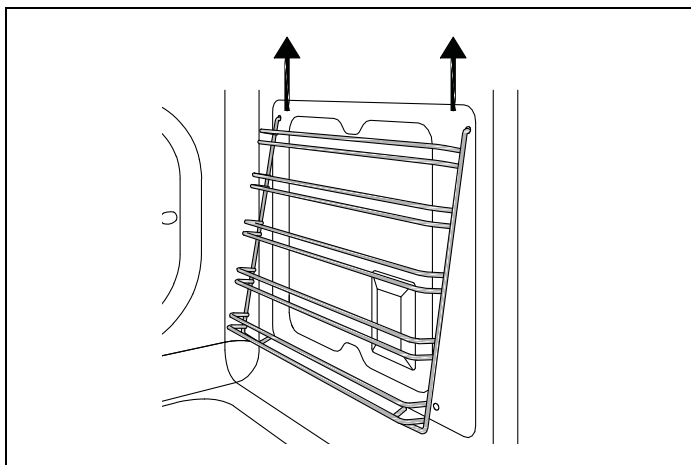


Fig. 13

- 1) Repérez les deux crochets inférieurs de la grille et les tirer doucement vers le bas tous les deux simultanément.
- 2) Éloigner le bas de la grille du côté du four. Ensuite, pousser vers le haut les deux crochets supérieurs pour détacher complètement la grille du four.
- 3) Retirez la grille du four.

RETIRER LE RÉSERVOIR D'EAU

- 1) Ouvrez la porte du four.
- 2) Poussez doucement la partie avant du réservoir d'eau pour la faire sortir.
- 3) Tirez-le complètement.
- 4) Laissez-le dans un endroit sûr, hors de portée des jeunes enfants.

DÉMARRAGE DU CYCLE D'AUTONETTOYAGE

Dans le menu Nettoyage, appuyez sur l'icône SELF CLEAN (AUTONETTOYANT) ou ECO SELF CLEAN ICON (AUTONETTOYANT ECO)

Sélectionner le four à nettoyer

Vérifier que la cavité du four est complètement vide, retirez le réservoir d'eau et s'assurer que la porte du four est correctement fermée.

Fermer la porte et confirmez le démarrage du cycle de nettoyage.

La porte du four se verrouillera automatiquement après 60 secondes.



NOTE

S'assurer que la porte du four est verrouillée au début du cycle d'autonettoyage.

À LA FIN DU CYCLE, DÉVERROUILLER LA PORTE DU FOUR.

L'intérieur du four restera à une température de cuisson d'environ 260 °C (500 °F).

Attendre que la cavité du four soit complètement refroidie avant d'ouvrir la porte.

Une fois le four complètement refroidi, remettre en place les grilles latérales, les accessoires du four et le réservoir d'eau.



ATTENTION !

Lorsque le verrouillage automatique du cycle se désactivera et que la porte pourra être ouverte, l'intérieur du four sera toujours à une température de cuisson.

HYDROCLEAN

Cette fonction permet d'éliminer facilement la graisse et autres résidus alimentaires qui auraient pu adhérer aux parois du four.

À l'issue du cycle de nettoyage, les résidus alimentaires fondus peuvent être facilement éliminés à l'aide d'une éponge humide.

Pour faciliter le nettoyage, ne pas laisser la saleté s'accumuler. Nettoyer fréquemment le four.

NETTOYAGE

AVANT L'HYDRONETTOYAGE DU FOUR

Avant de lancer un cycle Hydroclean, retirer tous les accessoires du four. Veiller à ce que les ampoules d'éclairage et les vitres de protection soient en place.

Grâce à l'ajout de vapeur, les aliments sont cuits de manière délicate et la partie interne reste bien juteuse.

L'appareil est conçu pour nettoyer la cavité du four et la portion de la porte vitrée qui fait face à la cavité du four. Nettoyer tout résidu se trouvant en dehors de la zone des joints de la porte.

Lancez toujours le cycle avec un four froid.



MISE EN GARDE

Ne pas verser d'eau dans un four chaud, car cela pourrait endommager l'émail du four.

- 1) Lorsque le four est froid, étalez un torchon sur le fond du four.
- 2) Versez délicatement 200 ml d'eau au fond de la cavité. Pour de meilleurs résultats, ajoutez une cuillère à café de liquide vaisselle doux à l'eau.
- 3) Vaporiser une solution d'eau et de liquide vaisselle (à l'aide d'un vaporisateur) sur les parois latérales.
- 4) Démarrez le cycle Hydroclean (durée environ 20 min).
- 5) Attendez environ 20 minutes que l'intérieur du four refroidisse.
- 6) Toute trace de saleté et d'eau en excès peut maintenant être éliminée du four à l'aide du chiffon humide.

Ne pas ouvrir le four avant la fin de la phase de refroidissement.

Ceci est nécessaire au bon fonctionnement de la fonction Hydroclean.



MISE EN GARDE

La fonction Hydroclean s'effectue à basse température. Cependant, les temps de refroidissement peuvent varier en fonction de la température ambiante.



MISE EN GARDE

Avant de toucher la surface intérieure du four, assurez-vous qu'elle ait bien refroidi.

Si un nettoyage plus approfondi est nécessaire après avoir utilisé la fonction Hydroclean, utilisez des détergents neutres et des éponges non abrasives.

DÉTARTRAGE (CAVITÉ DU FOUR À VAPEUR UNIQUEMENT)

Lorsque le générateur de vapeur fonctionne, du calcaire s'y accumule.

Nettoyez le circuit vapeur afin d'éviter un dépôt excessif de tartre.

Deux rappels seront effectués pour effectuer le détartrage.

Le premier sert de rappel, suggérant à l'utilisateur de lancer la fonction de détartrage.

La seconde est obligatoire – la fonction de cuisson en cours sera terminée, mais à la suite de cela, les fonctions vapeur seront désactivées jusqu'à ce que le détartrage soit effectué.

Il n'est pas possible de désactiver le rappel de détartrage.

Dans le menu CLEAN (NETTOYAGE), appuyez sur l'icône DESCALE (DÉTARTRAGE).

- 1) Insérez 500 ml de solution détartrante dans le réservoir.
- 2) Commencez le nettoyage (cela prend environ 30 minutes).
- 3) Retirez le réservoir et videz-le lorsque vous y êtes invité.
- 4) Rincez le réservoir à l'eau claire.
- 5) Remplissez le réservoir avec 500 ml d'eau froide et propre.
- 6) Démarrez le cycle de rinçage.
- 7) Répétez le cycle à partir de l'étape 4 trois fois, en suivant les instructions à l'écran.
- 8) Après le dernier rinçage, nettoyez soigneusement le réservoir avec de l'eau savonneuse et séchez-le avec un chiffon doux.

Il est indispensable de respecter les instructions de rinçage, car la solution détartrante est nocive.

Si la procédure de détartrage ne s'effectue pas correctement, il ne sera pas possible de démarrer une fonction vapeur et le rappel restera actif.

N'utilisez pas la solution détartrante sur le panneau de commande ou sur les autres surfaces de l'appareil.

Cela les endommagerait. En cas de déversement, rincez immédiatement la solution détartrante à l'eau claire.

GUIDES TÉLESCOPIQUES

GUIDES TÉLESCOPIQUES (SI DISPONIBLE)

Les guides télescopiques s'adaptent à chaque niveau et aux grilles faisant partie des équipements standards.

MONTAGE DES GRILLES

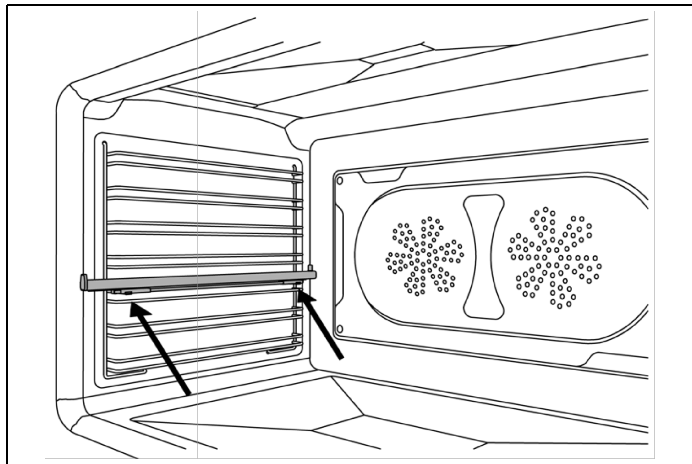


Fig. 14

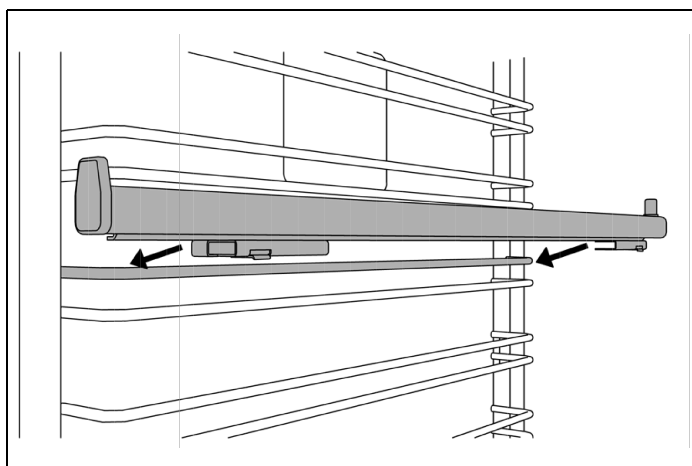


Fig. 15

- 1) Localiser les deux clips à ressort à l'avant et à l'arrière des guides.
- 2) Localiser la tige sur le guide ; elle indique l'arrière.
- 3) Choisir le niveau adapté et positionner le guide télescopique à proximité de la grille supérieure.
- 4) Insérer le clip à ressort postérieur sur le guide.
- 5) Insérer doucement le clip à ressort antérieur sur le guide.
- 6) Faire coulisser d'avant en arrière chaque guide pour s'assurer de son installation correcte et de son bon fonctionnement.
- 7) Extraire les deux guides jusqu'à la position de retrait maximale et poser la plaque du four sur ceux-ci, en s'assurant qu'elle est correctement positionnée entre les supports avant et arrière.

DÉMONTAGE DES GUIDES

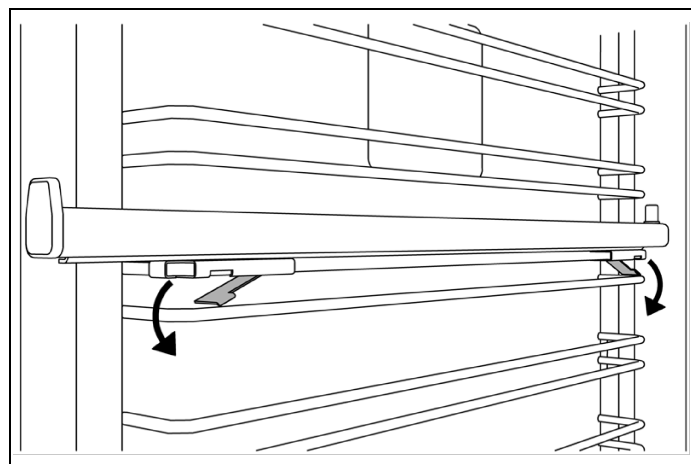


Fig. 16

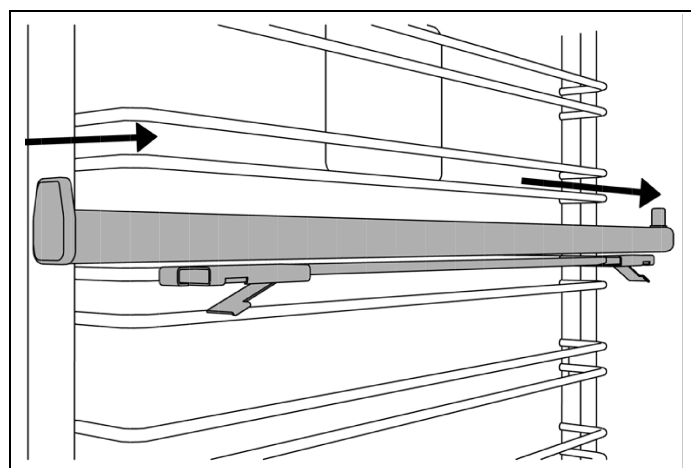


Fig. 17

- 1) Localiser les deux clips à ressort à l'avant et à l'arrière des guides.
- 2) Abaisser délicatement le clip à ressort antérieur.
- 3) Éloigner le guide du côté du four ; veiller à ne pas forcer sur le clip.
- 4) Répéter les étapes 2 et 3 sur le clip à ressort postérieur pour retirer le guide.

ENTRETIEN COURANT

Ces opérations simples peuvent être réalisées par l'utilisateur de la cuisinière. Pour toute intervention d'entretien, il est recommandé de faire appel à un technicien spécialisé. Veuillez appeler notre Service d'assistance pour trouver les techniciens de maintenance proches de chez vous :

Si situé aux États-Unis 866 905 0010

<https://us.bertazzoni.com/more/support>

Si situé au CANADA 866 905 7265

<https://ca.bertazzoni.com/more/support>

REPLACEMENT DES AMPOULES DU FOUR



MISE EN GARDE

Risque de décharge électrique !

Débrancher l'alimentation électrique au niveau du fusible principal ou du disjoncteur avant de remplacer l'ampoule.

NE PAS toucher l'ampoule à mains nues. Nettoyer toute trace d'huile sur l'ampoule et la manipuler avec un linge fin.

CAVITÉ PRINCIPALE

Type d'ampoule : halogène G9 120 V, 25 W

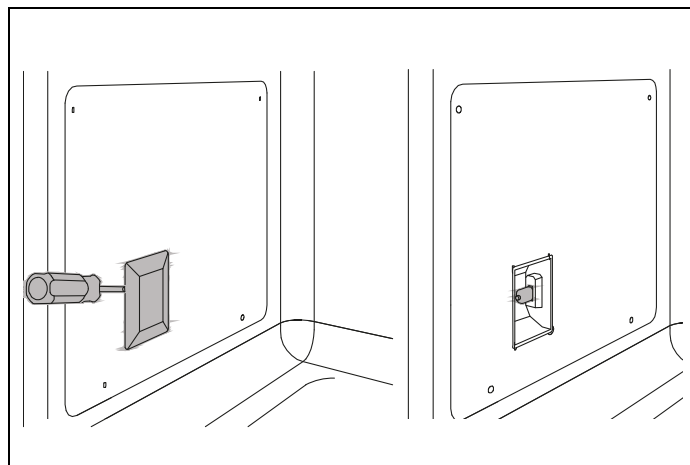


Fig. 18



MISE EN GARDE

S'assurer que les éléments chauffants sont éteints et entièrement refroidis.

Débrancher la cuisinière de sa source d'alimentation électrique. Retirer la grille du four si celle-ci interfère avec le logement de l'ampoule.

- Glisser l'extrémité d'un tournevis plat entre la vitre de protection et le logement de l'ampoule. Faire délicatement levier avec l'extrémité du tournevis pour défaire la vitre de protection, en la maintenant en place avec les doigts pour éviter qu'elle ne tombe et ne se casse.
- Retirer la vitre de protection puis l'ampoule halogène.
- Insérer une nouvelle ampoule halogène dans le logement. NE PAS toucher l'ampoule à mains nues.
- Repositionner la vitre de protection en l'encastant puis remettre en place la grille du four.
- Rebrancher le four à l'alimentation électrique.
- Insérer une nouvelle ampoule halogène dans le logement. NE PAS toucher l'ampoule à mains nues.
- Repositionner la vitre de protection en l'encastant puis remettre en place la grille du four.
- Rebrancher le four à l'alimentation électrique.

ENTRETIEN COURANT

REPLACEMENT DES JOINTS DU RÉSERVOIR

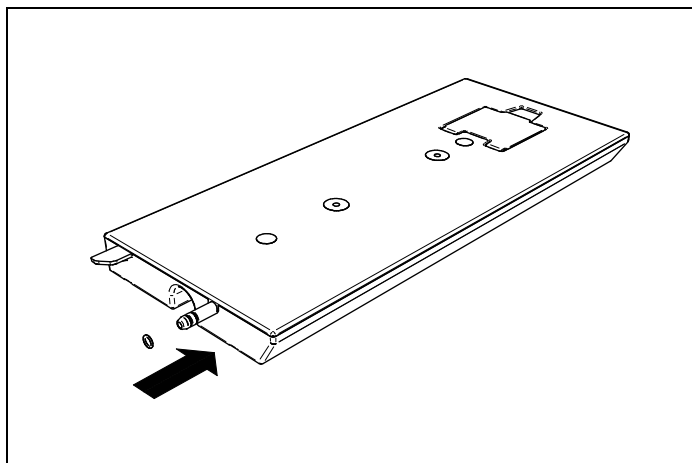


Fig. 19

À chaque extraction du réservoir, s'assurer que les joints sont intacts et correctement positionnés.

Les remplacer par ceux fournis à cet effet dans le cas où ils seraient endommagés.

NETTOYAGE DE VOTRE FOUR BERTAZZONI



DANGER

Risque de brûlure

S'assurer que les éléments chauffants sont éteints et ont complètement refroidi avant d'effectuer toute opération de nettoyage et/ou d'entretien.



ATTENTION !

Choses à éviter :

- N'utilisez pas de nettoyeur vapeur pour nettoyer le four : la vapeur pourrait entrer en contact avec des composants électriques et entraîner un court-circuit.
- Ne vaporisez pas de liquides tels que des produits nettoyants dans les ouvertures situées au bas et sur le dessus de la cavité du four.
- Les surfaces peuvent se décolorer ou être endommagées suite à l'utilisation de produits nettoyants inappropriés. L'avant du four, en particulier, peut être endommagé par les produits nettoyants pour four et les produits désincrustants.
- Toutes les surfaces sont sujettes aux rayures. Des rayures sur une surface vitrée peuvent entraîner une rupture. Éliminer immédiatement tout résidu à l'aide de produits nettoyants adaptés.
- Les éléments chauffants dans le four ne nécessitent pas de nettoyage. Ces éléments brûlent tous les résidus quand le four est utilisé.

NETTOYAGE DE L'ACIER INOXYDABLE

Toutes les parties en acier inoxydable doivent être nettoyées avec une solution d'eau chaude savonneuse après chaque cycle de travail.

Les projections et déversements doivent être nettoyés immédiatement. Utiliser des produits nettoyants non abrasifs adaptés à l'acier inoxydable si de l'eau savonneuse ne suffit pas.

NE PAS utiliser de laine d'acier, de linges abrasifs, de produits ou de poudres nettoyants. Si nécessaire, gratter l'acier inoxydable pour en retirer les incrustations ; pour cela, mouiller avec un chiffon humide et chaud pour ramollir le dépôt, puis utiliser une spatule en bois ou en nylon ou une raclette. NE PAS utiliser de couteau, de spatule ou tout autre ustensile en métal pour gratter l'acier inoxydable

Les liquides suivants, couramment utilisés en cuisine, peuvent être corrosifs et endommager l'acier inoxydable :

- Jus de citron/orange (acide citrique)
- Jus de tomate
- Liquides sucrés/sirop
- Eau salée
- Vinaigre

NETTOYAGE DES SURFACES PEINTES

Nettoyer avec un linge doux, de l'eau chaude et du liquide vaisselle non abrasif. Tandis que la surface est encore humide, frotter avec un linge doux et propre.

NETTOYAGE DES SURFACES EN VERRE

- Nettoyer avec un produit nettoyant et de l'eau chaude.
- Les nettoyants pour vitre peuvent être utilisés pour éliminer les empreintes de doigts.
- En cas d'utilisation d'un nettoyant pour vitre avec ammoniac, s'assurer qu'il ne dégouline pas sur la surface extérieure de la porte.

NETTOYAGE DE LA LÈCHEFRITE

Nettoyer avec un produit nettoyant et de l'eau chaude. Pour les résidus incrustés, utiliser de la laine d'acier et du savon. Le revêtement émaillé est résistant aux acides, mais ceux-ci doivent être retirés dès que possible pour ne pas altérer la surface. Les aliments acides tels que les jus de citron, de tomate et de rhubarbe, le vinaigre, l'alcool ou le lait doivent être nettoyés et ne doivent pas rester sur la plaque de cuisson lors de l'utilisation suivante du four.

NETTOYAGE DE LA CAVITÉ DU FOUR

- Toujours laisser l'intérieur du four refroidir avant le nettoyage.
- Éviter de laisser le vinaigre, le vin, le café, le lait, l'eau salée ou les jus de fruits longtemps en contact avec des surfaces émaillées, car ils pourraient tacher ou décolorer la surface.
- Ne jamais utiliser d'ustensiles pointus pour éliminer des saletés, cela pourrait rayer la surface.
- Ne jamais utiliser de nettoyeur vapeur à l'intérieur du four, la vapeur pourrait endommager les composants électroniques.
- Pour nettoyer la lampe du four, l'essuyer avec un linge doux imbibé d'eau chaude et de liquide nettoyant. En cas de résidus incrustés, utiliser une crème nettoyante et un tampon à récurer en nylon.
- Les produits nettoyants pour four doivent être utilisés conformément aux consignes du fabricant, mais il convient de veiller à ce qu'ils n'entrent pas en contact avec toute partie de la cuisinière en acier inoxydable, chromée, peinte ou en alliage, ou avec les éléments et les joints de la porte.

NETTOYAGE DE VOTRE FOUR BERTAZZONI

NETTOYAGE DES GRILLES ET DES SUPPORTS DU FOUR

Nettoyer avec un produit nettoyant et de l'eau chaude. Pour les résidus incrustés, utiliser de la laine d'acier imbibée de savon.

REMÈDES

Vous trouverez ci-après des solutions aux problèmes les plus fréquents.

Vous pouvez aussi appeler le numéro vert de notre Service clients pour résoudre tout problème lié à votre cuisinière Bertazzoni.

Si situé aux USA

866 905 0010

<https://us.bertazzoni.com/more/support>

Si situé aux CANADA

800 561 7265

<https://ca.bertazzoni.com/more/support>

REMÈDES

Le four ne s'allume pas.	L'alimentation électrique est indisponible ou peut être interrompue. Vérifier l'interrupteur à fusibles ou le disjoncteur.
Le four ne chauffe pas	Vérifier si la fonction MODE DÉMO est activée.
L'écran chauffe trop.	La porte du four reste-t-elle ouverte pendant la cuisson ? La porte du four doit rester fermée en cas d'inutilisation du four ou d'utilisation du grill.
De la condensation se forme dans le four	Avez-vous préchauffé le four ? Il y aura moins de condensation si le four ou le grill est préchauffé avant l'utilisation.
Le four génère de la fumée	La bonne température de cuisson a-t-elle été choisie ? Une grande quantité de matières grasses est-elle utilisée ? Le grill est-il rarement utilisé ? Des aliments gras ont-ils été cuits sous le grill ? L'intérieur du four a-t-il besoin d'être nettoyé ? Se rappeler de réduire la température du four de 70°F en cas d'utilisation d'un mode de cuisson par convection pour une recette créée pour un mode de cuisson traditionnel. Utiliser des plats à bord haut pour contenir les graisses et éviter les éclaboussures. Laisser le grill allumé pendant quelques minutes après l'utilisation du grill ou de la rôtissoire afin de brûler les dépôts de graisse présents sur la partie supérieure du four. Nettoyer régulièrement les surfaces du four pour éviter les dépôts de nourriture.
Le four fonctionne, mais la lumière ne s'allume pas.	La cuisson peut se poursuivre. Une fois le four refroidi, remplacer l'ampoule.
Le ventilateur continue de fonctionner après la fin de la cuisson.	Le ventilateur s'arrêtera automatiquement lorsque les composants internes du four auront refroidi.
La lumière du four est éteinte pendant la cuisson, mais elle s'allume à l'ouverture de la porte.	Le mode ECO est activé.
L'horloge n'est pas visible en mode veille.	Le mode ECO est activé.
Les aliments cuisent trop vite	Si vous utilisez le mode de cuisson à chaleur tournante de votre four, il est recommandé de réduire la température de cuisson de 70 °F par rapport à une cuisson traditionnelle.
La cuisson des aliments n'est pas uniforme.	De grandes quantités de nourriture sont-elles cuisinées, ou un plat à four de grande taille est-il utilisé ? Pour une cuisson uniforme, l'air doit pouvoir circuler dans le four. Enlever le grill du four lorsqu'il n'est pas utilisé et toujours laisser un peu d'espace autour des plats. Il pourrait s'avérer nécessaire de tourner le plat pendant la cuisson. Les plaques de cuisson, plats à gratin et moules à gâteaux de taille excessive empêchent la bonne circulation de l'air chaud dans le four. Choisir des équipements de cuisson laissant un espace minimum d'1 pouce (2,5 cm) de chaque côté, pour permettre à la chaleur de circuler librement dans le four.
Le grill du four est lent	La bonne fonction a-t-elle été choisie ?
Le cycle d'autonettoyage ne démarre pas.	Vérifier si le réservoir d'eau a été retiré. Vérifier si le four est complètement fermé.
Ne pas démarrer le cycle Steamclean (Nettoyage vapeur) dans la cavité principale.	Vérifiez si le réservoir est plein.
- Écoulement d'eau - Vapeur au niveau du joint de la porte - Eau stagnante dans le four.	La présence d'eau ou de vapeur dépend des aliments en cours de cuisson. Ceci est normal. Laisser le four refroidir ; essayer avec un torchon sec.

REMÈDES

La porte du four reste fermée après l'autonettoyage.	Le four est trop chaud. Laisser le four refroidir.
Bruit de ventilateur.	Le ventilateur à convection s'allume et s'éteint automatiquement. Ceci est normal.

Pour toute information sur la garantie et demande de service, contactez-nous:



Aux États-Unis: <https://us.bertazzoni.com/more/support>

Au Canada: <https://ca.bertazzoni.com/more/support>

DEL ESCRITORIO DE NUESTRO PRESIDENTE

Estimado nuevo propietario de un electrodoméstico Bertazzoni:

Quiero agradecerle que haya elegido uno de nuestros productos para su hogar.

Mi familia comenzó a fabricar electrodomésticos de cocina en Italia en 1882, forjándose una reputación por la calidad de su ingeniería y su pasión por la buena comida.

Hoy en día, nuestros productos destacan por su combinación original de auténtico diseño italiano y tecnología de vanguardia aplicada a los electrodomésticos. Nuestra misión es fabricar productos que funcionen a la perfección y aporten alegría a sus propietarios.

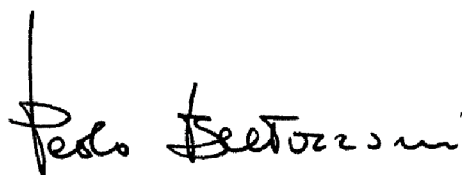
Al fabricar productos de precioso aspecto respondemos al gusto de nuestros clientes por el buen diseño. Al ser versátiles y fáciles de usar, cocinar con Bertazzoni se convierte en un auténtico placer.

Este manual le ayudará a aprender a utilizar y cuidar su electrodoméstico Bertazzoni de la forma más segura y eficaz, para que pueda proporcionarle la máxima satisfacción durante años.

¡Que aproveche!

Paolo Bertazzoni

Presidente

A handwritten signature in black ink that reads "Paolo Bertazzoni". The signature is written in a cursive, flowing style with a prominent vertical stroke at the beginning.

VALIDEZ DEL MANUAL DEL USUARIO

Este manual del usuario es válido para los siguientes códigos de producto:

- FPRO30FSVTC
- FPRO30FSVTX
- FPRO30FDVTC
- FPRO30FDVTX

INDICE

INFORMACIÓN GENERAL	89
ADVERTENCIAS	89
RESPONSABILIDAD DEL FABRICANTE	89
INFORMACIÓN GENERAL DE SEGURIDAD	89
SEGURIDAD INFANTIL	90
SEGURIDAD GENERAL EN LA COCINA	91
SEGURIDAD AL COCINAR EN EL HORNO	92
SEGURIDAD EN LA LIMPIEZA DEL HORNO	92
ADVERTENCIAS SOBRE EL ELECTRODOMÉSTICO	93
FUNCIONAMIENTO A DISTANCIA	93
INTERFERENCIAS DE TV / RADIO	93
ANTES DEL PRIMER USO	94
USO DEL HORNO	95
PANEL DE CONTROL	95
USO DE LOS CONTROLES TÁCTILES	95
MENÚ INICIO	96
AJUSTES	96
DESCONEXIÓN AUTOMÁTICA	96
IOT	97
FUNCIONES DEL HORNO	98
POSICIONES DE LOS ESTANTES	98
VENTILADOR DE REFRIGERACIÓN	98
PRECALENTAR EL HORNO	98
USO DEL HORNO	99
INICIO RÁPIDO	99
MODOS DE COCCIÓN DEL HORNO	99
HORNEAR	99
HORNEADO POR CONVECCIÓN (ASISTENCIA DE VAPOR DISPONIBLE)	100
CONVECCIÓN (ASISTENCIA DE VAPOR DISPONIBLE)	100
ASAR	100
ASADO POR CONVECCIÓN (ASISTENCIA DE VAPOR DISPONIBLE)	100
ASADO A LA PARRILLA CON CONVECCIÓN (ASISTENCIA DE VAPOR DISPONIBLE)	100
PIZZA (ASISTENCIA DE VAPOR DISPONIBLE)	100
FREÍR CON AIRE	101
MÁS	101
CONDENSACIÓN	102
USO DE PAPEL DE ALUMINIO EN EL HORNO	102
CÓMO OBTENER LOS MEJORES RESULTADOS	102
AHORRO DE ENERGÍA	102
RECOMENDACIONES PARA COCINAR AL HORNO	103
RECOMENDACIONES PARA FREÍR CON AIRE	104
RECOMENDACIONES PARA ASAR	105
SOLUCIÓN DE PROBLEMAS COMUNES EN LA COCCIÓN AL HORNO	106
FUNCIÓN DE TIEMPO	107
VAPOR	110
BOMBA	110
DEPÓSITO DE AGUA	111
ASISTENTE	112
LIMPIAR	113
AUTOLIMPIEZA Y ECO LIMPIEZA	113
LIMPIEZA	113
ANTES DE AUTOLIMPIAR EL HORNO	113
RETIRE LAS REJILLAS	114

INDICE

RETIRE EL DEPÓSITO DE AGUA	114
INICIO DEL CICLO DE AUTOLIMPIEZA	114
CUANDO EL CICLO FINALIZA EL HORNO DESBLOQUEA LA PUERTA	114
HIDROLIMPIEZA	114
ANTES DE HIDROLIMPIAR EL HORNO	115
DESCALCIFICAR (SOLO CAVIDAD DEL HORNO ASISTIDA POR VAPOR)	115
DESLIZADORES TELESCÓPICOS	116
DESLIZADORES TELESCÓPICOS (SI ESTÁN DISPONIBLES)	116
MONTAJE DE LOS DESLIZADORES	116
RETIRAR LOS DESLIZADORES	116
MANTENIMIENTO SENCILLO	117
SUSTITUCIÓN DE LAS LUCES DEL HORNO	117
CAVIDAD PRINCIPAL	117
SUSTITUCIÓN DE LA JUNTA DEL DEPÓSITO	118
MANTENGA LIMPIO SU HORNO BERTAZZONI	119
LIMPIEZA DEL ACERO INOXIDABLE	119
LIMPIEZA DE SUPERFICIES PINTADAS	119
LIMPIEZA DE SUPERFICIES ACRISTALADAS	119
LIMPIEZA DE LA BANDEJA DE ASAR	119
LIMPIEZA DE LA CAVIDAD DEL HORNO	119
LIMPIEZA DE LAS REJILLAS Y SOPORTES DEL HORNO	120
SOLUCIÓN DE PROBLEMAS	121
ATENCIÓN AL CLIENTE	124

INFORMACIÓN GENERAL

ADVERTENCIAS

Este manual del usuario es parte integrante del electrodoméstico. Lea y siga todas las instrucciones antes de utilizar este electrodoméstico para evitar el riesgo potencial de incendio, descarga eléctrica, lesiones personales o daños como consecuencia de un uso inadecuado del mismo. Utilice el electrodoméstico únicamente para los fines previstos, tal y como se describen en este manual.

Guarde este manual para uso del inspector eléctrico local. Lea y guarde estas instrucciones para futuras consultas. Respete todos los códigos, ordenanzas y reglamentos vigentes.



ADVERTENCIA

Las advertencias e instrucciones de seguridad importantes que aparecen en este manual no pretenden cubrir todas las condiciones y situaciones posibles que puedan darse. Se debe tener sentido común, precaución y cuidado al instalar, mantener o utilizar el electrodoméstico.



IMPORTANTE

ESTE ELECTRODOMÉSTICO ESTÁ DISEÑADO PARA UN USO DOMÉSTICO NO PROFESIONAL.

Utilice el horno solo para preparar comidas.

PARA GARANTIZAR UN FUNCIONAMIENTO CORRECTO Y SEGURO

- Instale o ubique este electrodoméstico solo de acuerdo con las instrucciones de instalación suministradas.
- El electrodoméstico debe ser instalado y conectado a tierra correctamente por un técnico cualificado.
- Los niños y los adultos pueden hacer que se vuelque el horno si no se ha asegurado. Esto puede provocar lesiones mortales.
- NO intente ajustar, reparar, revisar o sustituir ninguna pieza de su electrodoméstico a menos que se recomiende específicamente en este manual.
- Cualquier otro tipo de mantenimiento debe ser remitido a un servicio técnico cualificado y autorizado por el fabricante
- Para evitar posibles daños en los armarios y sus acabados, utilice solo materiales y acabados que no se decoloren ni se deslaminen y que resistan temperaturas de hasta 200°F (93°C). Debe utilizarse un adhesivo resistente al calor si el producto se va a instalar en armarios laminados. Consulte a su constructor o proveedor de armarios para asegurarse de que los materiales cumplen estos requisitos.
- Haga que el instalador muestre al cliente la ubicación del disyuntor o fusible y cómo apagarlo en caso de emergencia.
- El horno no está diseñado para funcionar con temporizadores externos o sistemas de control remoto que no sean la app Bertazzoni.
- No utilice el horno si está dañado. Es especialmente importante que la puerta del horno cierre correctamente

RESPONSABILIDAD DEL FABRICANTE

El fabricante no asumirá ninguna responsabilidad por daños materiales o personales debidos a:

- Uso del electrodoméstico distinto al especificado.
- Incumplimiento de las instrucciones del manual del usuario.
- Manipulación/modificación no autorizada de cualquier parte del electrodoméstico.
- El uso de piezas de recambio no originales.
- Este electrodoméstico está destinado a cocinar alimentos en el entorno doméstico. Cualquier otro uso constituirá un uso indebido.

INFORMACIÓN GENERAL DE SEGURIDAD



PELIGRO

NUNCA utilice el electrodoméstico como calefactor para calentar o entibiar una habitación para evitar posibles peligros para el usuario y daños en el electrodoméstico. Además, NO utilice el horno como zona de almacenamiento de alimentos o utensilios de cocina.

INFORMACIÓN GENERAL



ADVERTENCIA

Asegúrese de retirar todos los materiales de embalaje del electrodoméstico antes de ponerlo en funcionamiento.



ADVERTENCIA

Nunca deje que la ropa, las agarraderas u otros materiales inflamables entren en contacto o se acerquen demasiado a cualquier elemento calefactor.



ADVERTENCIA

NO cuelgue toallas ni materiales sobre los tiradores de las puertas del horno. Estos artículos podrían inflamarse y provocar quemaduras.



ADVERTENCIA

No utilice nunca el horno como espacio de almacenamiento. Los elementos combustibles (papel, plástico, etc.) pueden inflamarse y los elementos metálicos pueden calentarse y provocar quemaduras.



ADVERTENCIA

Si los materiales del interior de un horno se incendiaran, mantenga la puerta cerrada. Apague el electrodoméstico y desconecte la corriente en el panel del disyuntor.



ADVERTENCIA

NUNCA levante ni mueva una bandeja en llamas.

Si está disponible, utilice un extintor polivalente de polvo químico o de espuma.

No utilice agua.

- No se cuelgue de la puerta ni permita que los niños se balanceen en ella.
- NUNCA deje a los niños solos o sin supervisión cerca del electrodoméstico cuando esté en uso o todavía esté caliente.
- NUNCA permita que los niños se sienten o se pongan de pie sobre ninguna parte del electrodoméstico, ya que podrían lesionarse o quemarse.
- NO guarde objetos de interés para los niños sobre la unidad. Los niños que trepen para alcanzar esos objetos podrían resultar gravemente heridos.

SEGURIDAD INFANTIL

Este electrodoméstico no está destinado a ser utilizado por personas (incluidos niños) cuyas capacidades físicas, sensoriales o mentales sean diferentes o estén reducidas, o que carezcan de experiencia o conocimientos, a menos que dichas personas reciban supervisión o formación para el manejo del electrodoméstico por parte de una persona responsable de su seguridad.

INFORMACIÓN GENERAL

SEGURIDAD GENERAL EN LA COCINA

- En caso de rotura o agrietamiento del cristal, apague el horno inmediatamente y desconéctelo de la red eléctrica. Póngase en contacto con el servicio técnico.
- No utilice el electrodoméstico con las manos mojadas o cuando esté en contacto con el agua.
- Cualquier decoloración del esmalte no afectará al rendimiento del horno.
- Los imanes pueden provocar arañazos. No utilice la superficie de acero inoxidable como tablón de anuncios magnético.
- El uso del electrodoméstico de cocción provoca la producción de calor y humedad en la habitación en la que está instalado. Asegúrese de que la cocina esté bien ventilada. Mantenga abiertos los orificios de ventilación natural o instale un dispositivo de ventilación mecánica. El uso prolongado o intensivo del electrodoméstico puede requerir una ventilación adicional (como abrir una ventana) o más eficaz (como aumentar el nivel de una ventilación mecánica si existe).
- Una vez instalada la unidad como se indica en las instrucciones de instalación, es importante que no se obstruya el suministro de aire fresco. No obstruya las aberturas de ventilación ni las ranuras de dispersión del calor.
- No introduzca nada en las ranuras.
- No utilice aerosoles cerca de este electrodoméstico mientras esté en funcionamiento.
- Durante el uso, el electrodoméstico se calienta. NO toque el cristal ni los paneles de la puerta del horno.
- Tenga cuidado al abrir la puerta del horno. Deje salir el aire caliente o el vapor antes de mover o sustituir los alimentos.
-
- Utilice solo paños secos. Las agarraderas húmedas o mojadas sobre superficies calientes pueden provocar quemaduras por el vapor. No deje que la agarradera toque superficies calientes. No utilice una toalla u otro paño voluminoso.
- Coloque SIEMPRE las rejillas del horno en las posiciones deseadas mientras el horno esté frío.
- Evite SIEMPRE meter la mano en el horno para añadir o retirar alimentos. Si es necesario mover una rejilla mientras está caliente, utilice una agarradera
- Durante y después del uso, NO toque ni deje que la ropa u otros materiales inflamables entren en contacto con los elementos calefactores, las zonas cercanas a los elementos o las superficies interiores del horno hasta que hayan tenido tiempo suficiente para enfriarse. Otras superficies del horno pueden calentarse lo suficiente como para causar quemaduras, como la abertura de ventilación del horno, la superficie cercana a la abertura de ventilación y la ventana de la puerta del horno.

Las aves tienen un sistema respiratorio muy sensible. Mantenga a las aves domésticas fuera de la cocina o de otras habitaciones donde los humos de la cocina puedan alcanzarlas.



ADVERTENCIA

Las piezas accesibles pueden calentarse mucho durante el uso. Hay que tener cuidado de no tocar los elementos calefactores del interior del horno

INFORMACIÓN GENERAL

SEGURIDAD AL COCINAR EN EL HORNO

- El uso indebido de la puerta del horno (por ejemplo, pisarla, sentarse o apoyarse en ella) puede provocar riesgos o lesiones y daños en el producto.
- No ejerza presión sobre la puerta abierta.
- No utilice la puerta del horno como superficie de trabajo o estante.
- Mantenga las puertas cerradas a menos que sea necesario para cocinar o limpiar.
- No mantenga la puerta del horno abierta para acelerar el enfriamiento del horno
- Asegúrese de que no haya objetos atrapados que puedan impedir el cierre de la puerta del horno.
- Los cambios bruscos y extremos de temperatura pueden provocar la rotura del cristal, nunca vierta líquidos fríos sobre la puerta del horno.
- Elimine cualquier resto de comida del interior del horno antes de utilizar el electrodoméstico para evitar incendios y humos.
- NO cocine directamente en el fondo del horno. Esto podría dañar su electrodoméstico. Utilice siempre las rejillas del horno cuando cocine en él.
- NUNCA utilice papel de aluminio para cubrir las rejillas o el fondo del horno. Esto podría provocar riesgo de descarga eléctrica, incendio o daños en el electrodoméstico. El papel de aluminio puede hacer que el esmalte del horno se cuartee y/o se agriete. Utilice el papel de aluminio solo como se indica en esta guía.
- NO caliente recipientes de alimentos sin abrir, la acumulación de presión puede hacer que el recipiente explote y provocar lesiones.
- Los recipientes dañados o de tamaño inadecuado pueden provocar lesiones graves.
- NUNCA deje que una bandeja hierva en seco, ya que podría dañar el utensilio y el electrodoméstico.
- No coloque utensilios de cocina resistentes al calor ni otros objetos directamente sobre la superficie interior del horno.
- Los recipientes de plástico no diseñados para altas temperaturas podrían derretirse, dañar el horno o incluso incendiarse.
- No utilice plástico para cubrir los alimentos. Utilice únicamente papel de aluminio o tapas aptas para el horno.
- No coloque agua directamente dentro del horno caliente.
- No guarde la vajilla ni los alimentos húmedos en el interior del horno una vez finalizada la cocción.
- Deje enfriar SIEMPRE las cantidades de grasa caliente utilizadas para freír antes de intentar moverlas o manipularlas.
- Tenga mucho cuidado cuando cocine alimentos con un alto contenido de alcohol, ya que podría provocar un incendio.

- El zumo de fruta o cualquier líquido azucarado o sirope puede provocar manchas indelebles en la superficie del esmalte; utilice platos hondos para evitar fugas. Limpie cualquier gota antes del ciclo de cocción sucesivo.
- Siga las instrucciones del fabricante cuando utilice bolsas de cocción para horno.
- Para masas de tartas muy húmedas, utilice un molde recoge gotas.
- Apague SIEMPRE el horno al final de la cocción.
- Después de cocinar, mantenga la puerta cerrada mientras el horno se enfría para evitar dañar los muebles de cocina adyacentes.
- Deje enfriar la batería de cocina y los utensilios calientes en un lugar seguro, fuera del alcance de los niños.
- No limpie el electrodoméstico mientras esté caliente.

SEGURIDAD EN LA LIMPIEZA DEL HORNO

- Apague todos los mandos y espere a que se enfríen las piezas del electrodoméstico antes de tocarlas o limpiarlas.
- Limpie el horno con precaución. Evite las quemaduras por vapor; NO utilice una esponja o paño húmedo para limpiar la cocina mientras esté caliente. Algunos limpiadores producen humos nocivos si se aplican sobre una superficie caliente. Siga las instrucciones proporcionadas por el fabricante del limpiador.
- NO limpie, frote, dañe, mueva ni retire la junta de la puerta. Es esencial para un buen sellado durante la cocción. Si la junta se desgasta o se ensucia excesivamente con partículas de alimentos, sustitúyala para asegurar un cierre hermético.
- NO toque una bombilla de horno caliente con un paño húmedo, ya que la bombilla podría romperse. En caso de rotura de la bombilla, desconecte la alimentación del electrodoméstico antes de retirar la bombilla para evitar una descarga eléctrica.
- Durante el ciclo de autolimpieza, las superficies exteriores pueden calentarse más de lo normal.
- Si se produce un incendio en el horno durante la autolimpieza, apague el horno y espere a que se apague el fuego. No fuerce la puerta para abrirla. La introducción de aire fresco a temperaturas de autolimpieza puede hacer que salgan llamas del horno, provocando quemaduras graves.
- Durante la eliminación de la suciedad durante la autolimpieza, pueden crearse pequeñas cantidades de monóxido de carbono y el aislamiento de fibra de vidrio podría desprender cantidades muy pequeñas de formaldehído durante los primeros ciclos de limpieza. Para minimizar la exposición a estas sustancias, proporcione una buena ventilación con una ventana abierta o utilice un ventilador o campana extractora.

INFORMACIÓN GENERAL

ADVERTENCIAS SOBRE EL ELECTRODOMÉSTICO

- Al abrir la puerta del horno, tenga mucho cuidado con el vapor que sale: ¡peligro de quemaduras!
- No obstruya las aberturas de ventilación ni las ranuras de dispersión del calor

FUNCIONAMIENTO A DISTANCIA

Este electrodoméstico puede configurarse para permitir su funcionamiento a distancia en cualquier momento.



ADVERTENCIA

No guarde materiales inflamables ni objetos sensibles a la temperatura en el interior, encima o cerca de las unidades de superficie del electrodoméstico.

INTERFERENCIAS DE TV / RADIO

Este electrodoméstico genera y utiliza energía de frecuencia ISM. Si no se instala y utiliza correctamente, siguiendo estrictamente las instrucciones del fabricante, puede causar interferencias en la recepción de radio y televisión.

Ha sido sometido a pruebas de tipo y se ha comprobado que cumple los límites para equipos ISM de acuerdo con la parte 18 de las normas de la FCC, que están diseñadas para proporcionar una protección razonable contra dichas interferencias en una instalación residencial.

Sin embargo, no hay garantía de que no se produzcan interferencias en una instalación concreta.

Encienda y apague el electrodoméstico para determinar si causa interferencias.

Pruebe lo siguiente para corregir la interferencia:

- Limpie la puerta y la superficie de sellado del horno.
- Reoriente la antena receptora de la radio o la televisión.
- Reubique el horno microondas con respecto al receptor.
- Aleje el horno microondas del receptor.
- Enchufe el horno microondas en una toma de corriente diferente para que el horno y el receptor estén en circuitos derivados distintos.

El fabricante no se hace responsable de las interferencias de radio o TV causadas por modificaciones no autorizadas en este horno microondas. Es responsabilidad del usuario corregir dichas interferencias.



ADVERTENCIA

Peligro de quemaduras

La puerta del horno, especialmente el cristal, puede calentarse. NO toque el cristal ni los paneles de la puerta del horno.



ADVERTENCIA

Advertencia: peligro de vuelco

Los niños y los adultos pueden hacer que se vuelque el horno si no se ha asegurado.

Esto puede provocar lesiones mortales.



ADVERTENCIA

Cancer and Reproductiv Harm- www.P65Warnings.ca.gov.

El incumplimiento de la información contenida en las instrucciones de instalación puede provocar lesiones graves o mortales a niños y adultos.

INFORMACIÓN GENERAL

ANTES DEL PRIMER USO

- Retire cualquier envoltorio protector del acero inoxidable.
- Retire y lave todos los accesorios.
- Vuelva a colocar las rejillas, la bandeja y otros accesorios de la cavidad del horno
- Todas las piezas de acero inoxidable deben limpiarse con agua caliente jabonosa y con un limpiador líquido para acero inoxidable.
- Si se producen acumulaciones, ¡no utilice estropajos de acero, paños abrasivos, limpiadores ni polvos!
- Si es necesario raspar el acero inoxidable para eliminar materiales incrustados, empápelos con paños calientes y húmedos para aflojar el material y, a continuación, utilice un rascador de madera o nailon.
- No utilice un cuchillo metálico, una espátula o cualquier otra herramienta metálica para raspar el acero inoxidable. Los arañazos son casi imposibles de eliminar.
- Compruebe en el manual del usuario las instrucciones de instalación de los deslizadores telescópicos
- Lea el manual del usuario antes de utilizar el horno
- Haga funcionar el horno (cavidad principal en caso de Combi) durante 15-30 min a 260 ° C en Asado por convección con vapor sin colocar ningún alimento en su interior (durante esta operación es normal que los residuos de fabricación produzcan algo de humo y olores). - Siga las instrucciones del programa para utilizar correctamente el Asado por convección con vapor.
- Deje enfriar el horno.
- Abra la puerta y ventile el horno durante 15 minutos.
- Limpie el interior del horno con un paño húmedo y detergente neutro (no utilice polvos abrasivos).

USO DEL HORNO

PANEL DE CONTROL

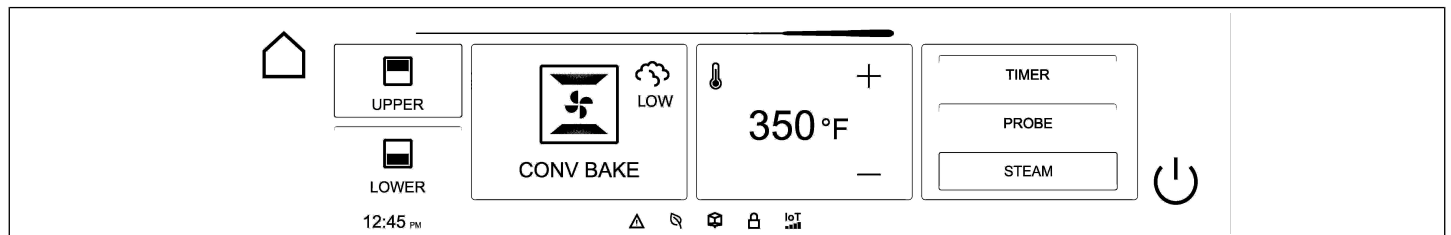



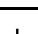


Fig. 1

La pantalla es una zona táctil. Utilícela para navegar por los menús y manejar el horno.

La función seleccionada se colorea.

Los 4 botones táctiles permiten seleccionar la función básica.

	Inicio	para volver al menú de inicio
	Volver	para volver al ajuste anterior
	Reproducir/Pausa	para iniciar o pausar la función de cocción
	ON/OFF	para encender o apagar el horno o desconectar la función de cocción

En la barra superior se indica el precalentamiento, el temporizador y el estado de la sonda

En la barra inferior unos iconos indican los ajustes del horno: Modo Eco, Modo Demo, Conexión Wi-Fi, Advertencia (tocando el símbolo de advertencia, una ventana emergente muestra el problema que hay que resolver)

USO DE LOS CONTROLES TÁCTILES

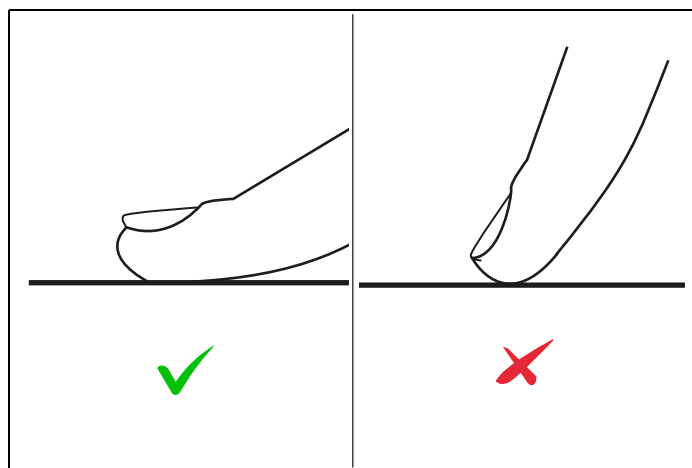


Fig. 2

- Los controles responden al tacto, por lo que no es necesario aplicar presión.
- Utilice la yema del dedo y no la punta.
- Cada toque detectado produce una señal acústica.
- Asegúrese de que los mandos estén siempre limpios y secos.

USO DEL HORNO

MENÚ INICIO

Durante el modo de espera, la interfaz muestra el reloj.

En caso de horno conectado a Wi-Fi también se muestra la fecha.

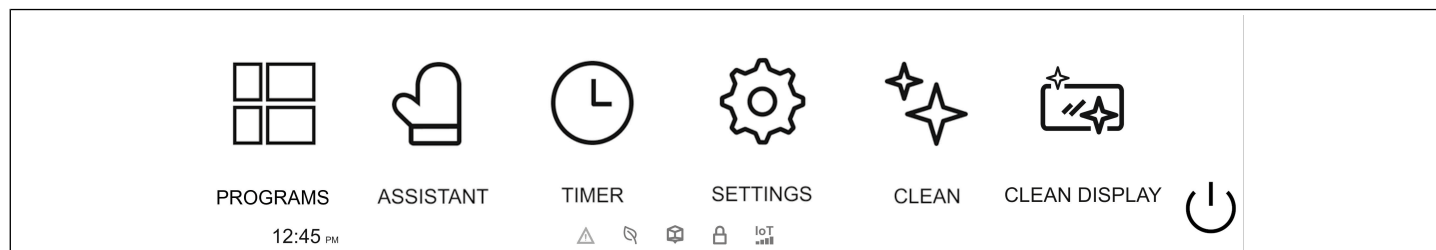


Fig. 3

En cada pantalla toque INICIO para entrar en el menú principal

- Programas: permite gestionar los modos de cocción del horno
- Asistente: permite gestionar el asistente Bertazzoni
- Temporizador: permite ajustar el minutero
- Ajustes: permite personalizar el horno
- Limpiar: permite gestionar los modos de limpieza
- Limpiar pantalla: para bloquear la pantalla durante 10 segundos para permitir la limpieza del panel frontal.

AJUSTES

El menú de ajustes permite personalizar algunos ajustes básicos del horno.

- IDIOMA: permite elegir el idioma de los mensajes. Los idiomas disponibles son inglés (idioma por defecto), francés, español e italiano.
- HORA: permite ajustar el formato de visualización de la hora (12 h o 24 h) y la hora (si el horno está conectado, la hora no se puede modificar)
- CONECTIVIDAD: permite conectar el horno a la Wi-Fi doméstica, descargar la aplicación y vincularla al horno. Cuando el horno esté conectado, el icono IOT aparecerá en la barra de estado. Siga las instrucciones de la app Bertazzoni para conectar el horno.
- ECO: permite reducir el consumo eléctrico del horno. Ajuste automáticamente el brillo al mínimo y apague la luz del horno durante la cocción. El horno entra en reposo profundo (sin tiempo visible) después de 60 s tras el final del proceso de cocción o de inactividad del horno. Cuando este modo está activado, el icono ECO aparece en la barra de estado
- BRILLO: permite ajustar el brillo de la pantalla.
- AUDIO: permite ajustar el volumen del altavoz del horno.
- MODO EXPOSITOR Permite seleccionar el modo DEMO para salas de exposición. En esta configuración, la pantalla funciona pero el horno no consume energía y no se calienta. La conexión de 120 V es suficiente para utilizar el MODO EXPOSITOR. Cuando este modo está activado, el icono del modo expositor aparece en la barra de estado

En modo de espera, toque la pantalla para ir directamente a los programas de cocción

DESCONEXIÓN AUTOMÁTICA

Después de 5 minutos sin ningún toque en la pantalla, el horno entrará en modo de espera (mostrando el reloj).

El sistema de refrigeración seguirá funcionando después de que el horno se apague si no se ha enfriado completamente.

USO DEL HORNO

IOT



Fig. 4

Este electrodoméstico puede estar conectado a la red. La instalación de la app Bertazzoni en su móvil y la conexión de su electrodoméstico a la Wi-Fi permiten controlar y supervisar el electrodoméstico a distancia.

En el menú Ajustes seleccione CONECTIVIDAD, a continuación, siga las instrucciones de la app Bertazzoni para conectar el horno a la Wi-Fi

La instalación IOT es muy importante en caso de problema porque permite también ejecutar un autodiagnóstico puede por medio de la aplicación para smartphone o llamando al servicio de asistencia técnica

IOT le permite también actualizar el software del electrodoméstico con la última versión compatible. Al igual que en el caso de las aplicaciones móviles, la actualización del software puede corregir errores o desbloquear nuevas funciones del horno.

La actualización disponible puede comprobarse en la app Bertazzoni.

Descargue la app Bertazzoni utilizando el código QR mostrado a continuación



Fig. 5

FUNCIONES DEL HORNO

POSICIONES DE LOS ESTANTES

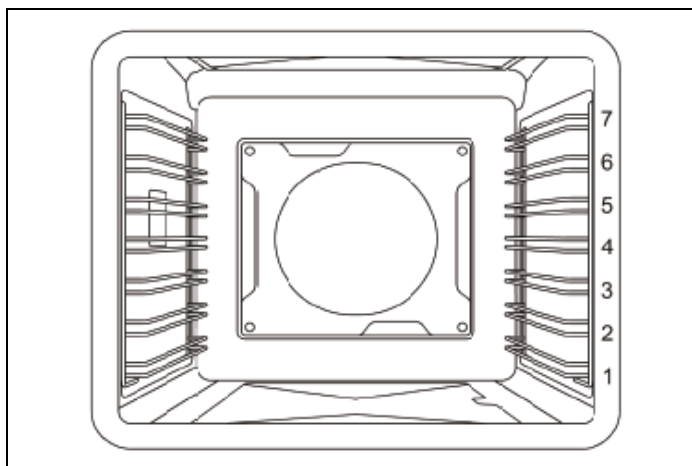


Fig. 6

Los estantes se montan en las guías correspondientes situadas en los laterales del compartimento del horno.

Introduzca el estante entre la guía superior y la inferior en cualquiera de las 7 posiciones indicadas.

VENTILADOR DE REFRIGERACIÓN

El horno está equipado con un sistema de refrigeración diseñado para evitar el sobrecalentamiento de cualquier parte que se pueda tocar.

El sistema de refrigeración se enciende y se apaga automáticamente y funciona a diferentes niveles de potencia según la función y la temperatura (es normal que siga funcionando después de apagar el horno). Cuando el sistema de refrigeración funciona, sale una corriente de aire por el embellecedor de ventilación situado bajo la puerta del horno.

Se apagará a medida que disminuya la temperatura.



NOTA

Es normal que el proceso de enfriamiento expulse el aire caliente a la habitación cuando el horno está caliente.

PRECALENTAR EL HORNO

La mayoría de los tiempos de cocción de las recetas están pensados para un horno precalentado y requieren que el horno esté listo.

Debe estar a la temperatura establecida antes de introducir los alimentos.

El tiempo de precalentamiento depende del ajuste de temperatura y del número de rejillas del horno.

El horno dispone de un programa automático de precalentamiento rápido que permite alcanzar más rápidamente la temperatura fijada. Durante esta fase no se recomienda colocar alimentos, ya que se utiliza la potencia parcial de la parrilla.

Durante el proceso de precalentamiento, una barra en la parte superior de la pantalla indica el estado del precalentamiento.

Cuando se alcanza la temperatura fijada, una melodía y una ventana emergente indican que es posible introducir los alimentos en el horno.

El precalentamiento rápido no funciona en las funciones de asado.

FUNCIONES DEL HORNO

USO DEL HORNO

- 1) Coloque la rejilla en la posición deseada y cierre la puerta.
- 2) Seleccione el programa de cocción desplazándose en el MOSAICO de la interfaz de usuario de izquierda a derecha.
 - 2.1) Seleccione la cavidad del horno
 - 2.2) Seleccione la función desplazándose en el menú
 - 2.3) Seleccione la temperatura deseada tocando +/- (si se necesita una temperatura diferente de la preestablecida) - es posible ajustar la temperatura mediante un teclado numérico tocando la temperatura
 - 2.4) Ajuste el nivel de vapor (si es necesario en la receta y si está disponible según la función de cocción seleccionada)

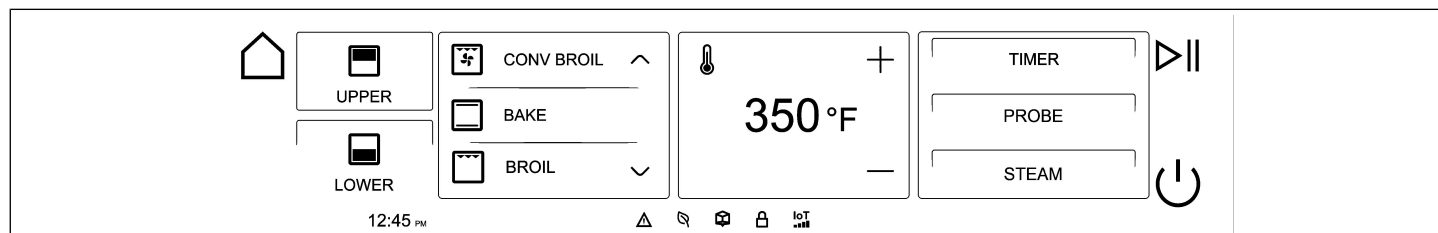


Fig. 7

La luz de la cavidad se encenderá y el horno iniciará el PRECALENTAMIENTO en unos segundos mostrando el progreso en la pantalla.

El final del precalentamiento se confirmará con un tono.

Introduzca los alimentos cuando se haya alcanzado la temperatura programada.

En cada momento es posible cambiar cualquier ajuste tocando la TARJETA que necesite modificar

Es posible detener la cocción tocando el icono 1/0

INICIO RÁPIDO

Para recetas sencillas es posible empezar a cocinar solo con 4 toques.

- 1) Pantalla táctil para activar el horno
- 2) Seleccione la cavidad del horno
- 3) Seleccione la función desplazándose en el menú
- 4) Pulse el botón de reproducción

La luz de la cavidad se encenderá y el horno comenzará el PRECALENTAMIENTO a la temperatura sugerida para la función seleccionada.

MODOS DE COCCIÓN DEL HORNO

El horno está equipado con 4 elementos calefactores, que se utilizan solos o combinados para crear diferentes modos de cocción:

- Elemento de horneado superior
- Elemento de horneado inferior
- Elemento de asado
- Elemento de convección

El ajuste de la temperatura y los tiempos de cocción pueden variar ligeramente de un horno a otro. Es posible que las recetas y los tiempos de cocción deban ajustarse en consecuencia.

HORNEAR

Calor del elemento superior e inferior

Utilice este ajuste para hornear y guisar en una sola rejilla.

- Horneado estándar: nivel 3 ó 4
- Elementos más altos: nivel 3
- Tartas: nivel 2 o 3 para asegurarse de que la parte inferior de la corteza está hecha sin dorar demasiado la parte superior.
- Grandes cortes de carne o ave: nivel 2.

FUNCIONES DEL HORNO

HORNEADO POR CONVECCIÓN (ASISTENCIA DE VAPOR DISPONIBLE)

Calor del elemento superior e inferior y flujo de aire por convección con ventilador.

Utilice este ajuste para hornear diferentes alimentos al mismo tiempo sin transferencia de sabor.

El ventilador hace circular el aire caliente por el horno para una cocción uniforme de grandes cantidades de alimentos. Utilícelo para asar verduras, carne y aves, o pescado al horno.

Esta función es la mejor para cocinar productos congelados y pollo o pescado empanado o rebozado.

Puede utilizarse para pasteles, galletas, bizcochos y otros alimentos en varias rejillas.

Utilice la misma posición de rejilla que HORNEAR.

Cuando utilice 2 rejillas, utilice los niveles 3 y 5.

CONVECCIÓN (ASISTENCIA DE VAPOR DISPONIBLE)

Calor del elemento de convección y flujo de aire de convección con ventilador.

Utilice este modo para la mayoría de las recetas teniendo cuidado al calcular el tiempo.

Normalmente se necesita menos tiempo para alcanzar el resultado deseado cuando se utiliza la convección.

La temperatura se mantiene uniforme en todo el horno, lo que resulta especialmente adecuado para hornear en varios niveles o para cocinar por lotes.

- Una sola rejilla: utilice la misma posición de rejilla que para hornear
- 2 rejillas: utilice los niveles 3 y 5
- 3 rejillas : utilice los niveles 2, 4, 6

ASAR

Calor solo desde el elemento superior.

El ajuste ASAR crea un calor intenso desde la parte superior de la cavidad. El modo para asar es efectivo cuando los alimentos se colocan en las rejillas superiores.

Posibilidad de tres niveles de temperatura: BAJO - MEDIO - ALTO.

- Filetes de ternera, hamburguesas de carne picada y chuletas de cordero de 2,5 cm o menos: nivel 6
- Carne de 2,5 cm o más de grosor, pescado, aves, chuletas de cerdo, filetes de jamón de 2,5 cm o más: nivel 5
- Dorar los alimentos: nivel 6 (no más de 15 min)

ASADO POR CONVECCIÓN (ASISTENCIA DE VAPOR DISPONIBLE)

Calor del elemento superior y flujo de aire por convección con ventilador.

Utilice este ajuste para dorar y cocinar los alimentos uniformemente por todos los lados. También se recomienda para alimentos demasiado delicados para voltearlos, como el pescado. El ventilador hace circular aire caliente alrededor de los alimentos ayudando a cocinarlos por completo. El grado de dorado de cada lado puede ser diferente.

Posibilidad de tres niveles de temperatura: BAJO - MEDIO - ALTO.

El modo de asado por convección debe utilizarse en una rejilla.

- salchichas y porciones de pollo: nivel 5 o 6
- alimentos con alto contenido en agua como el tocino y las chuletas: nivel 5 o 6

ASADO A LA PARRILLA CON CONVECCIÓN (ASISTENCIA DE VAPOR DISPONIBLE)

Calor por parrilla y elemento inferior y flujo de aire por convección con ventilador.

Utilice este ajuste para asar en un solo nivel

El ventilador hace circular el aire caliente por el horno para una cocción uniforme de grandes cantidades de alimentos. Utilícelo para asar verduras, carne y aves

Utilice la misma posición de rejilla que HORNEAR.

PIZZA (ASISTENCIA DE VAPOR DISPONIBLE)

Calor procedente del elemento inferior y del elemento circular y flujo de aire por convección con ventilador.

Utilícelo para cocinar pizzas, pasteles o panes planos para obtener una base perfectamente cocida.

Utilice el nivel 3 o el nivel 2 para asegurarse de que la parte inferior de la corteza está hecha.

FUNCIONES DEL HORNO

FREÍR CON AIRE

Calor del elemento de asar y flujo de aire por convección con ventilador.

Utilice este ajuste para freír con aire.

Ajuste la temperatura que desee de acuerdo con la receta (de 350°F a 480°F). Una vez alcanzada la temperatura ajustada, coloque la bandeja con los alimentos en el horno.

Es posible que los alimentos deban retirarse antes y deben controlarse al tiempo mínimo recomendado para evitar que se cocinen demasiado o se doren.

Utilice el nivel 5.

Para obtener los mejores resultados, utilice la bandeja para freír con aire suministrada con el horno y coloque los alimentos en una sola capa.

MÁS

DESHIDRATAR

Calor del elemento de convección y flujo de aire de convección con ventilador.

Utilice este ajuste para deshidratar alimentos, flores, verduras (temperatura preestablecida 120°F).

No abra la puerta del horno durante el proceso de deshidratación.

Utilice el nivel 2 o 3.

LEUDAR

Utilice este ajuste para mantener el calor, necesario para la fermentación de la levadura (temperatura preajustada 120°F).

Es mejor empezar con el horno frío cuando utilice la función de leudar.

No abra la puerta del horno innecesariamente.

Utilice el nivel 2 o 3.

CALENTAR

Calor del elemento de convección y flujo de aire de convección con ventilador.

Disponible en 3 niveles de temperatura:

- WARM LOW 140°F
- WARM MED 170°F
- WARM HIGH 200°F

Utilice el nivel 2 o 3

Recalentar

Calor del elemento de convección y convección por flujo de aire con ventilador y vapor

Utilice este ajuste para recalentar delicadamente alimentos previamente cocinados o preparar productos horneados con antelación (temperatura preestablecida 250°F).

El tiempo necesario puede variar en función de la cantidad de alimentos o del recipiente utilizado.

Utilice este ajuste para recalentar alimentos

Utilice el nivel 2 o 3

Sabbath

Método de calentamiento para su uso durante periodos de observancia religiosa.

Utilice el nivel 2 o 3

FUNCIONES DEL HORNO

CONDENSACIÓN

Es normal que una cierta cantidad de humedad se evapore de los alimentos durante cualquier proceso de cocción.

La cantidad depende del contenido de humedad del alimento o de la cantidad de vapor asentado para la cocción.

La humedad se condensará en cualquier superficie más fría que el interior del horno, como el panel de control.

Para reducir la formación de condensación, asegúrese de que el horno esté bien precalentado antes de introducir cualquier alimento.

USO DE PAPEL DE ALUMINIO EN EL HORNO

Se puede utilizar papel de aluminio para cubrir los alimentos en el horno, pero este no debe acercarse a los elementos del horno ni al ventilador. No debe utilizarse papel de aluminio para forrar la cavidad del horno o la bandeja de la parrilla. Esto puede causar sobrecalentamiento, pandeo y agrietamiento de las superficies del esmalte.

CÓMO OBTENER LOS MEJORES RESULTADOS

- Reduzca al mínimo la apertura y el cierre de la puerta del horno durante el funcionamiento.
- Utilice la posición de la rejilla recomendada por la receta y afine con la experiencia personal.
- Utilice el molde recomendado en la receta.
- Recomendamos colocar los alimentos en el centro de la rejilla.
- La cocción continuará con el calor residual. Retire la fuente del horno inmediatamente para evitar que se cocine en exceso
- La temperatura ajustada y el tiempo de cocción pueden variar ligeramente de un horno a otro. Quizá sean necesarios pequeños ajustes respecto a la receta.
- Los tiempos de cocción dependen del peso, el grosor y la calidad de los alimentos.
- Aumentar la temperatura no disminuye los tiempos de cocción pero puede cocinar demasiado los alimentos
- Para obtener cortezas tiernas y doradas, utilice bandejas ligeras antiadherentes/anodizadas o de metal brillante.
- Para obtener costras crujientes de color marrón, utilice bandejas antiadherentes/anodizadas oscuras o de metal sin brillo o cristal para hornear. Esto puede requerir bajar la temperatura de horneado 14 °C.
- Deje al menos 25,4 mm de espacio entre las bandejas y las paredes del horno para que el calor pueda circular alrededor de cada bandeja.
- Para mantener el horno lo más limpio posible, cocine la carne en una bandeja y no directamente sobre las rejillas.
- Coloque los alimentos en el centro de la rejilla.
- Gire y mezcle los platos para que los alimentos se calienten uniformemente.
- Para recetas nuevas, elija la temperatura más baja de las indicadas junto con el tiempo más corto; a continuación, compruebe cuánto se ha cocinado el plato y prolongue la cocción si es necesario.
- Guarde las bandejas de asar fuera del horno. Una bandeja extra sin comida repercutirá en el dorado y la cocción.

AHORRO DE ENERGÍA

- Abra la puerta del horno solo cuando sea necesario para evitar desperdiciar calor.
- Mantenga limpio el interior del horno.
- Retire los accesorios que no esté utilizando en ese momento.
- Apague el horno unos minutos antes del tiempo habitual, dejando que el calor residual del horno termine de cocinar.

FUNCIONES DEL HORNO

RECOMENDACIONES PARA COCINAR AL HORNO

Alimento	Tamaño de la bandeja	Ajuste de la temperatura de control	Tiempo total de cocción sugerido
Cookies	Lámina para galletas de 12"x15"	375°F	8 a 12 minutos
Tartas en capas	Redonda de 8" o 9"	350°F	25 a 35 minutos
Tartas de hojaldre	Bandeja de 9"x13"	350°F	30 a 40 minutos
Bizcocho Bundt	12 tazas	325°F	60 a 75 minutos
Brownies o galletas en barra	Bandeja de 9"x9"	325°F	20 a 25 minutos
Galletas	Lámina para galletas de 12"x15"	425°F o las instrucciones del envase	10 a 15 minutos
Pan rápido	Molde para pan de 8"x4"	350°F	55 a 70 minutos
Madalenas	Molde para madalenas de 12 tazas	425°F	14 a 19 minutos
Tartas de frutas	9" de diámetro	425°F	35 a 45 minutos
Cobbler de frutas	Bandeja de 9"x9"	400°F	25 a 30 minutos
Pan con levadura, hogazas	Molde para pan de 8"x4"	375°F	25 a 30 minutos
Panecillos	Bandeja de 9"x13"	400°F	12 a 18 minutos
Rollitos de canela	Bandeja de 9"x13"	375°F	25 a 30 minutos
Cotter de levadura y pastel	Lámina para galletas de 12"x15"	400°F	20 a 30 minutos

FUNCIONES DEL HORNO

RECOMENDACIONES PARA FREÍR CON AIRE

ARTÍCULO	IMPORTE	TEMPERATURA	TIEMPO
Patatas			
Patatas fritas congeladas	30-35 oz	420°F-440°F	15-25 min
Patatas fritas sazonadas	25-30 oz	420°F-440°F	20-25 min
Bolitas de patata congeladas	40-45 oz	400°F-430°F	20-25 min
Croquetas de patata congeladas	25-30 oz	420°F-440°F	20-25 min
Cuñas de patata congeladas	30-35 oz	420°F-440 °F	20-25 min
Patatas fritas caseras*	20-25 oz	380°F-400°F	25-30 min
Cuñas de patata caseras*	20-25 oz	380°F-400°F	25-30 min
Alimentos congelados			
Nuggets de pollo congelados	25-30 oz	400°F-440°F	10-15 min
Alitas de pollo congeladas	30-35 oz	400°F-430 °F	20-30 min
Aros de cebolla congelados	20-25 oz	380°F-400°F	15-20 min
Palitos de pescado congelados	20-25 oz	380°F-400°F	18-22 min
Tiras de pollo congeladas	25-30 oz	400°F-430°F	20-30 min
Churros congelados	20-25 oz	380°F-400°F	18-22 min

FUNCIONES DEL HORNO

RECOMENDACIONES PARA ASAR

Alimentos	Selector de ajuste de temperatura	Tiempo aproximado de cocción	Instrucciones y consejos especiales
CARNE DE VACUNO Hamburguesas de carne picada de 1/2" de grosor	Ajuste de temperatura a 500°F	15 a 20 minutos	Asar hasta que el centro no esté rosado
Chuletón	Ajuste de temperatura a 500°F	12 a 20 minutos	El tiempo depende del punto de cocción del filete
Bistec de falda	Ajuste de temperatura a 500°F	12 a 20 minutos	Poco hecho a medio hecho
Asado de ojo de bife	325°F	20 a 25 min/lb	Los asados pequeños tardan más minutos por libra; reduzca el tiempo utilizando el horneado por convección
Lomo de cerdo asado	325°F	20 a 25 min/lb	Cocer hasta que los jugos sean transparentes
AVES Sin hueso y sin piel Pechugas de pollo	Ajuste de temperatura a 500°F	20 a 25 min/lb	Cocer hasta que los jugos sean transparentes
Muslos de pollo	Ajuste de temperatura a 500°F	25 a 30 minutos	Quitar la piel; cocer hasta que los jugos sean transparentes
Medio pollo	Ajuste de temperatura a 500°F	30 a 45 minutos	Dele la vuelta con unas pinzas; cocine hasta que los jugos sean transparentes
Pollo asado	350°F	75 a 90 minutos	No rellene; reduzca el tiempo utilizando el horneado por convección
Pavo	325°F	20 a 25 min/lb	No rellene; reduzca el tiempo utilizando el horneado por convección

FUNCIONES DEL HORNO

SOLUCIÓN DE PROBLEMAS COMUNES EN LA COCCIÓN AL HORNO

Problemas	Causa	Solución
Pasteles quemados por los lados o no hechos en el centro	Horno demasiado caliente Tamaño de bandeja incorrecto	Reducir la temperatura Utilice el tamaño de bandeja recomendado
Los pasteles se agrietan por arriba	Mantequilla demasiado espesa Horno demasiado caliente Tamaño de bandeja incorrecto	Siga la receta o añada líquido Reducir la temperatura Utilice el tamaño de bandeja recomendado
La comida se dora demasiado en el fondo	Puerta del horno abierta con demasiada frecuencia Posición incorrecta de la rejilla Ajuste incorrecto del horneado	Utilice la ventanilla de la puerta para comprobar los alimentos Utilice la posición recomendada de la rejilla Ajuste a la posición convencional o con convección según sea necesario
Alimentos demasiado dorados por encima	Posición incorrecta de la rejilla Horno no precalentado	Utilice la posición recomendada de la rejilla Deje que se precaliente el horno
Galletas demasiado planas	Lámina de galletas caliente	Deje enfriar la lámina entre tandas
Pasteles quemados alrededor de los bordes	Horno demasiado caliente Horno no precalentado	Reducir la temperatura Deje que se precaliente el horno
Empanadas demasiado claras por arriba	Horno no lo bastante caliente Horno no precalentado	Aumento de la temperatura Deje que se precaliente el horno

FUNCIONES DEL HORNO

FUNCIÓN DE TIEMPO

TEMPORIZADORES DE COCCIÓN

La función de temporizador permite gestionar los tiempos de cocción.

Tras ajustar la función y la temperatura, toque el icono del temporizador para entrar en el menú Temporizador.

Tiempo de cocción

Utilice esta función para fijar la duración de la receta.

Una melodía y un aviso emergente indican el final de la cocción y el horno se apaga automáticamente.

- 1) Seleccione el tiempo de cocción.
- 2) Ajuste el tiempo de cocción con el teclado rellenando el tiempo de COCCIÓN de derecha a izquierda
- 3) Pulse √
- 4) La cuenta atrás comenzará al final del precalentamiento y la pantalla mostrará el tiempo restante en la parte superior derecha.
- 5) La barra superior de la pantalla muestra el final del tiempo de cocción

El tiempo máximo ajustable es 10 horas



NOTA

para cambiar el tiempo establecido entre en el menú Temporizador y reinicie desde el punto 1.

Empezar en

Utilice esta función para ajustar la hora de inicio y el tiempo de cocción

A la hora de inicio establecida, el horno comenzará a cocinar.

Una melodía y un aviso emergente indican el final de la cocción y el horno se apaga automáticamente.

- 1) Seleccione Empezar en.
- 2) Fije la hora de inicio con el teclado rellenando el tiempo de izquierda a derecha.
- 3) Pulse √.
- 4) Ajuste el tiempo de cocción con el teclado rellenando el tiempo de derecha a izquierda.
- 5) Pulse √.
- 6) La barra superior de la pantalla muestra el final del tiempo de cocción.

El tiempo máximo ajustable es 10 horas.



NOTA

para cambiar el tiempo establecido entre en el menú Temporizador y reinicie desde el punto 1.

FUNCIONES DEL HORNO

Terminar en

Utilice esta función para ajustar el final del tiempo de cocción y el tiempo de cocción.

El horno calcula la hora de inicio y comenzará a cocinar.

- 1) Una melodía indica el final de la cocción y el horno se apaga automáticamente.
- 2) Seleccione Terminar en.
- 3) Ajuste el tiempo de cocción con el teclado rellenando el tiempo de izquierda a derecha.
- 4) Pulse √.
- 5) Ajuste el tiempo de cocción con el teclado rellenando el tiempo de derecha a izquierda.
- 6) Pulse √.
- 7) La barra superior de la pantalla muestra la hora de inicio de la cocción antes de que el horno arranque y la hora de finalización de la cocción después de que el horno inicie la cocción.

El tiempo máximo ajustable es 10 horas.



NOTA

Para cambiar el tiempo establecido entre en el menú Temporizador y reinicie desde el punto 1.



IMPORTANTE

Si no se ajustan las funciones de tiempo, la duración de la cocción deberá gestionarse manualmente.

SONDA

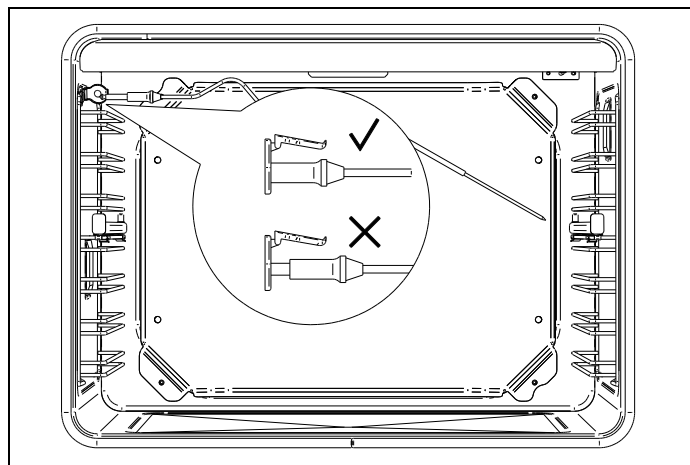


Fig. 8

La sonda alimentaria permite elegir el nivel de cocción midiendo la temperatura interna de los alimentos.

La sonda indicará la temperatura interna de la carne mientras se cocina.

Tras ajustar la función y la temperatura, pulse el icono de sonda

Programación de la sonda alimentaria.

- 1) Introduzca el extremo afilado de la sonda en el alimento. Para obtener los mejores resultados, la punta debe estar lo más cerca posible del punto central del alimento, y no en contacto con grasa, hueso o zonas huecas.

Una colocación incorrecta de la sonda podría apagar el horno demasiado pronto y provocar que los alimentos quedaran crudos.

Con las aves de corral, asegúrese de que la sonda no descansa en una cavidad.

- 2) Introduzca los alimentos en el horno
- 3) Enchufe la sonda en el interior del horno (en la parte superior izquierda).
- 4) Ajuste el tiempo de cocción con el teclado
- 5) Pulse √

Si el horno ya ha completado el precalentamiento, el programa continuará según lo establecido.

Si el horno no ha indicado el precalentamiento, el programa se iniciará sin precalentamiento rápido.

La pantalla muestra en cada momento la temperatura medida en el alimento y la temperatura programada.

La barra superior de la pantalla muestra un tiempo estimado de finalización de la cocción que se hace más preciso a medida que la temperatura de los alimentos se acerca a la deseada.

FUNCIONES DEL HORNO

Cuando la temperatura fijada sea medida por la sonda, la cocción se detendrá, sonará un aviso acústico y aparecerá un mensaje en la pantalla.

Cuando se utiliza la sonda alimentaria, las funciones del temporizador se desactivan

VAPOR

En los programas de cocción asistida por ventilador, es posible añadir vapor durante la cocción.

Para el horno doble, esta función solo está disponible en la cavidad superior

La adición de vapor garantiza que los platos se cocinen suavemente, manteniendo el interior jugoso.

Ajustando la cantidad de vapor conseguirá mejores resultados de cocción:

- Corteza crujiente
- Superficie brillante
- Centro suave y jugoso
- Reducción mínima del volumen

Tras ajustar la función y la temperatura, pulse el icono de vapor y seleccione la cantidad de vapor

- BAJO. Ideal para carnes, aves y platos al horno.
- MEDIO. Ideal para carne estofada/braseada, pan y platos con levadura.
- ALTO. Ideal para platos delicados como flanes, timbales y pescados.

El vapor se dispensa en el interior del horno a intervalos de tiempo diferentes.

Utilice solamente utensilios de cocina resistentes al calor y la corrosión o recipientes de acero inoxidable de calidad alimentaria.

Cuando cocine en varios niveles, compruebe que haya espacio entre los diferentes niveles para permitir la circulación del vapor.

Durante la cocción al vapor se permite utilizar la sonda alimentaria o el temporizador

Para apagar el vapor o ajustar la cantidad de vapor programada, pulse el botón de vapor de la pantalla.

BOMBA

Durante el funcionamiento y tras la desconexión, un zumbido audible indica que las bombas están en funcionamiento.

DEPÓSITO DE AGUA

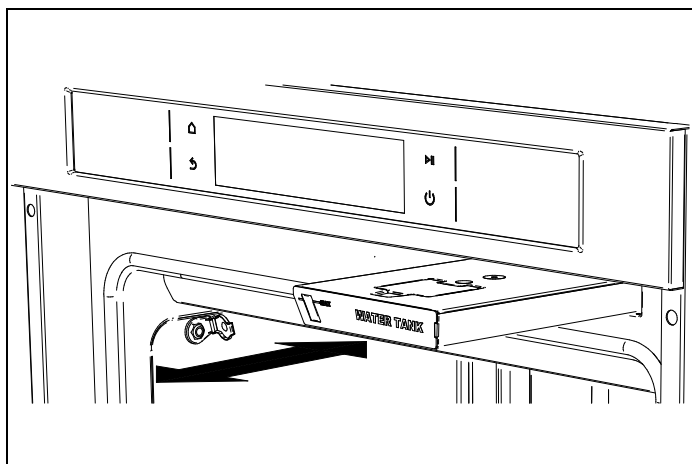


Fig. 9

El depósito de agua se encuentra detrás de la puerta del horno, en la parte superior derecha de la cavidad.

Antes de iniciar el precalentamiento, abra la puerta y llene el depósito de agua.

El depósito tiene un sistema de presión para abrirlo.

- 1) Empuje suavemente la parte delantera para que salga el depósito
- 2) Retírelo parcialmente.
- 3) Abra la tapa y llene con agua hasta el nivel indicado - Utilice solo agua potable.
- 4) Cierre la tapa.
- 5) Vuelva a colocar el depósito empujándolo hasta el fondo hasta que encaje en su sitio.
- 6) Cierre la puerta del horno e inicie el programa de cocción.

El depósito de agua puede extraerse por completo para limpiarlo o llenarlo (no es apto para lavavajillas).

Cada vez que retire el depósito, compruebe que las juntas están intactas y correctamente colocadas.



ADVERTENCIA

Llenar el depósito cuando el horno está caliente puede ser muy peligroso debido a la alta temperatura que sale de la cavidad.

Unos minutos después de finalizar el programa de cocción, el agua del circuito se vacía automáticamente en el depósito.

Una ventana emergente indica que esta operación se ha completado y que es posible extraer completamente el depósito y vaciarlo.



ATENCIÓN

NO eche agua en el depósito. El agua del depósito puede estar hirviendo: compruebe que el agua se ha enfriado antes de sacar el depósito.

ASISTENTE

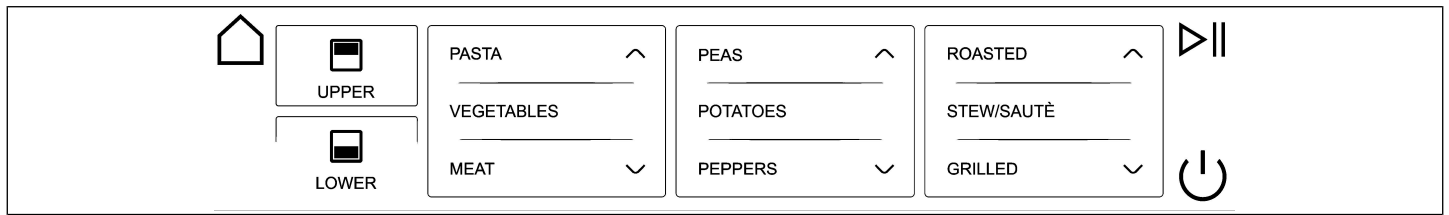


Fig. 10

La función asistente ayuda a gestionar VARIAS secuencias de cocción preestablecidas para cada tipo de alimento.

El sistema no proporciona recetas, pero ayuda al horno a sacar el máximo partido de las suyas.

Algunas secuencias de cocción necesitan vapor, siga el mensaje que aparece en la pantalla. (para el horno doble, las secuencias de cocción con vapor solo están disponibles en la cavidad superior)

En el menú de inicio toque ICONO ASISTENTE

Seleccione la cavidad del horno

1) Seleccione la categoría de alimentos deseada.

- Carne
- Aves de corral
- Pescado
- Verduras
- Pizza
- Pasta
- Pan
- Pasteles

2) Elija la secuencia de cocción preestablecida.

3) Seleccione el peso y el nivel de cocción.

4) Utilice la sonda de temperatura si es necesario.

5) Llene el depósito si la receta requiere el uso de vapor.

6) Pulse el botón de reproducción.

Una melodía y un aviso emergente indican el final de la cocción y el horno se apaga automáticamente.

LIMPIAR



Fig. 11

Las funciones de limpieza ayudan a mantener limpio su horno.

En el menú principal, toque el ICONO LIMPIAR.

Seleccione una de las siguientes funciones y, a continuación, seleccione la cavidad que desea limpiar.

AUTOLIMPIEZA Y ECO LIMPIEZA



ADVERTENCIA

No se debe dejar a los niños solos o desatendidos en una zona donde haya electrodomésticos en uso.

Durante el ciclo de autolimpieza, las superficies exteriores pueden calentarse más de lo normal. Algunas partes del electrodoméstico pueden resultar potencialmente nocivas para los niños y para las personas que carezcan de conocimientos sobre los electrodomésticos y no tengan reacciones adultas ante situaciones potencialmente nocivas.

Mantenga a estas personas alejadas durante la autolimpieza y mientras el electrodoméstico esté en uso.

La eliminación de residuos durante la autolimpieza puede facilitar la emisión de pequeñas cantidades de productos químicos u otras sustancias que pueden ser nocivas en caso de exposición suficiente.

Para minimizar la exposición a estas sustancias, proporcione una ventilación óptima con una ventana abierta o utilice un ventilador o campana extractora.

Mantenga a las aves domésticas fuera de la cocina o de otras habitaciones donde puedan estar expuestas a los humos. Durante la autolimpieza se desprenden humos que pueden ser nocivos para las aves.

LIMPIEZA

En los ciclos de autolimpieza, el interior del horno alcanza temperaturas muy altas – más de 340 °C– para quemar cualquier residuo de comida.

Por razones de seguridad, la puerta se bloquea automáticamente y solo volverá a abrirse cuando el horno se enfríe al final del ciclo.

Tras el ciclo de limpieza, los residuos quemados se reducen a cenizas y pueden cepillarse fácilmente con una esponja húmeda.

La duración estándar del ciclo de autolimpieza es de 120 minutos.

El ciclo de autolimpieza ECO dura 90 minutos y puede utilizarse cuando hay niveles más bajos de suciedad incrustada y residuos.

ANTES DE AUTOLIMPIAR EL HORNO

Antes de iniciar un ciclo de autolimpieza o un ciclo de autolimpieza Eco, retire todos los accesorios y las rejillas laterales del horno. Asegúrese de que las bombillas y las tapas de cristal están en su sitio. Retire manualmente los trozos de alimentos y los residuos más grandes con una esponja húmeda. Elimine también el agua o cualquier resto de cal de la base del horno. Este electrodoméstico está diseñado para limpiar la cavidad del horno y la parte del cristal de la puerta que da a la cavidad. Elimine cualquier residuo que quede fuera de la zona de sellado de la puerta. Es normal que se forme algo de llama y humo en el interior del horno.

LIMPIAR

RETIRE LAS REJILLAS

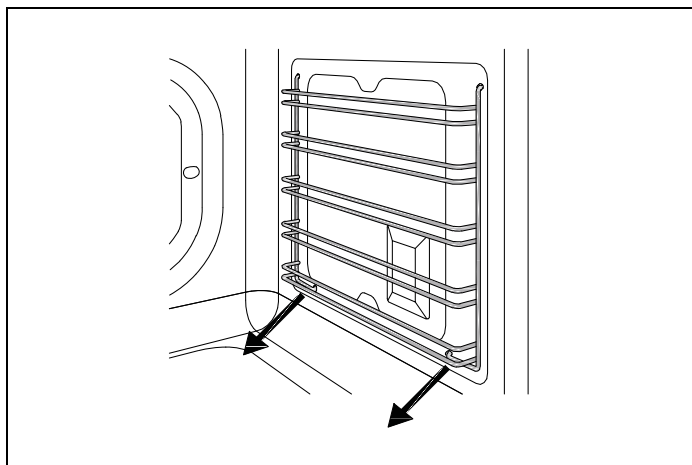


Fig. 12

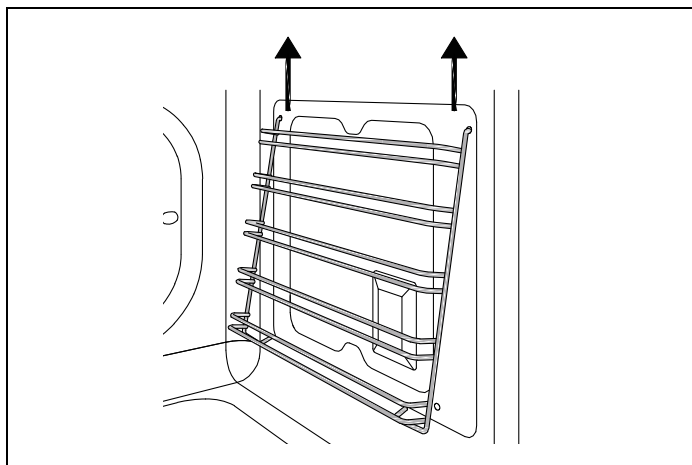


Fig. 13

- 1) Localice los dos ganchos en la parte inferior de la rejilla y tire suavemente hacia abajo al mismo tiempo de los dos ganchos.
- 2) Separe la rejilla del lateral del horno y retírela tirando hacia arriba de los ganchos superiores de las rejillas del lateral del horno.
- 3) Retire la rejilla del horno.

RETIRE EL DEPÓSITO DE AGUA

- 1) Abra la puerta del horno
- 2) Empuje con cuidado la parte delantera del depósito de agua para sacarlo
- 3) Retírelo completamente.
- 4) Déjelo en un lugar seguro, fuera del alcance de los niños pequeños.

INICIO DEL CICLO DE AUTOLIMPIEZA

En el menú Limpiar, pulse el ICONO DE AUTOLIMPIEZA o ECO LIMPIEZA

Elija el horno que desea limpiar

Compruebe que la cavidad del horno está completamente vacía, retire el depósito de agua y verifique que la puerta del horno está correctamente cerrada.

Cierre la puerta y confirme el inicio del ciclo de limpieza

La puerta del horno se bloqueará automáticamente después de 60 segundos

NOTA



Asegúrese de que la puerta del horno esté bloqueada al inicio del ciclo de autolimpieza.

CUANDO EL CICLO FINALIZA EL HORNO DESBLOQUEA LA PUERTA

El interior del horno seguirá estando a temperaturas de cocción (260 °C/260°C) aproximadamente

Espere a que la cavidad del horno se enfríe completamente antes de abrir la puerta

Cuando el horno esté completamente frío, vuelva a colocar las rejillas laterales, los accesorios del horno y el depósito de agua.



ATENCIÓN

El interior del horno aún estará a temperatura de cocción cuando el bloqueo automático pase a su posición de abierto y se pueda abrir la puerta del horno.

HIDROLIMPIEZA

Esta función permite eliminar fácilmente la grasa y otros restos de comida que puedan haberse adherido a los laterales del horno.

Tras el ciclo de limpieza, los restos derretidos de comida pueden cepillarse fácilmente con una esponja húmeda.

Para facilitar la limpieza, no deje que se acumule la suciedad. Limpie el horno con frecuencia.

LIMPIAR

ANTES DE HIDROLIMPIAR EL HORNO

Antes de iniciar un ciclo de hidrolimpieza, retire todos los accesorios del horno. Asegúrese de que las bombillas y las tapas de cristal están en su sitio.

Retire manualmente los trozos de alimentos y los residuos más grandes con una esponja húmeda.

Este electrodoméstico está diseñado para limpiar la cavidad del horno y la parte del cristal de la puerta que da a la cavidad. Elimine cualquier residuo que quede fuera de la zona de sellado de la puerta.

Realice siempre el ciclo en un horno frío.



ADVERTENCIA

No vierta agua en un horno caliente, ya que puede dañar el esmalte del horno.

- 1) Con el horno frío, extienda un paño en el fondo del horno
- 2) Vierta suavemente 200 ml de agua en el fondo de la cavidad. Para obtener mejores resultados, añada al agua una cucharadita de detergente lavavajillas suave.
- 3) Rocíe las paredes laterales con una solución de agua y detergente líquido (utilizando un pulverizador).
- 4) Inicie el ciclo de hidrolimpieza (duración aprox. 20 min).
- 5) Espere unos 20 minutos a que se enfríe el interior del horno.
- 6) Los restos de suciedad y el exceso de agua pueden eliminarse ahora del horno con el paño húmedo.

No abra el horno hasta que haya finalizado la fase de enfriamiento.

Esto es necesario para que la función Hydroclean funcione correctamente.



ADVERTENCIA

La función de hidrolimpieza tiene lugar a baja temperatura. Sin embargo, los tiempos de enfriamiento pueden variar en función de la temperatura ambiente.



ADVERTENCIA

Antes de tocar la superficie interior del horno, asegúrese de que se ha enfriado correctamente.

Si necesita una limpieza más profunda después de utilizar la función de hidrolimpieza, utilice detergentes neutros y esponjas no abrasivas.

DESCALCIFICAR (SOLO CAVIDAD DEL HORNO ASISTIDA POR VAPOR)

Cuando el generador de vapor funciona, la cal se acumula en él.

Limpie el circuito de vapor para evitar una acumulación excesiva de cal.

Se darán dos recordatorios para realizar la descalcificación.

El primero sirve de recordatorio, sugiriendo al usuario que ejecute la función de descalcificación.

El segundo es obligatorio: se completará la función de cocción en curso, pero a continuación se desactivarán las funciones de vapor hasta que se realice la descalcificación.

No es posible desactivar el recordatorio de descalcificación.

En el menú Limpiar, pulse el ICONO DESCALCIFICAR

- 1) Introduzca 500 ml de solución desincrustante en el depósito.
- 2) Empiece a limpiar (tardará unos 30 minutos).
- 3) Retire el depósito y vacíelo cuando se le indique.
- 4) Enjuague el depósito con agua limpia.
- 5) Llene el depósito con 500 ml de agua limpia y fría.
- 6) Inicie el ciclo de aclarado.
- 7) Repita el ciclo desde el paso 4 tres veces, siguiendo las instrucciones de la pantalla.
- 8) Después del último aclarado, limpie bien el depósito con agua jabonosa y séquelo con un paño suave.

Es esencial seguir las instrucciones de aclarado, ya que la solución descalcificadora es nociva.

Si el procedimiento de descalcificación no se completa correctamente, no será posible iniciar una función de vapor y el recordatorio permanecerá activo.

No utilice la solución descalcificadora en el panel de control ni en las demás superficies del electrodoméstico.

Esto los perjudicaría. En caso de derrame, aclare inmediatamente la solución descalcificadora con agua limpia.

DESLIZADORES TELESCÓPICOS

DESLIZADORES TELESCÓPICOS (SI ESTÁN DISPONIBLES)

Los deslizadores telescópicos se adaptan a cualquier nivel de estante y funcionan con los estantes de alambre suministrados como equipamiento estándar.

MONTAJE DE LOS DESLIZADORES

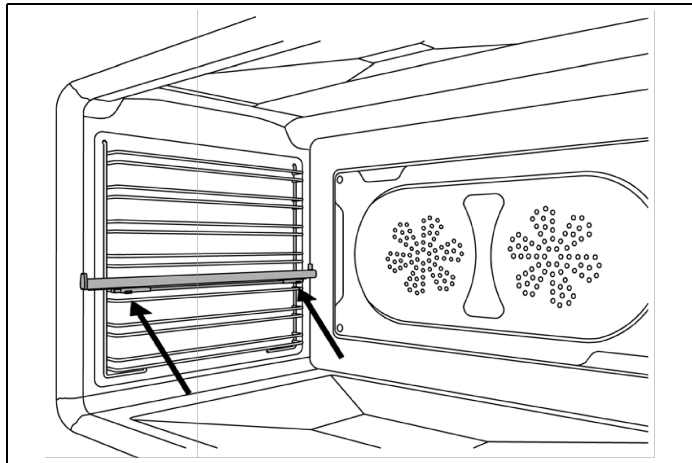


Fig. 14

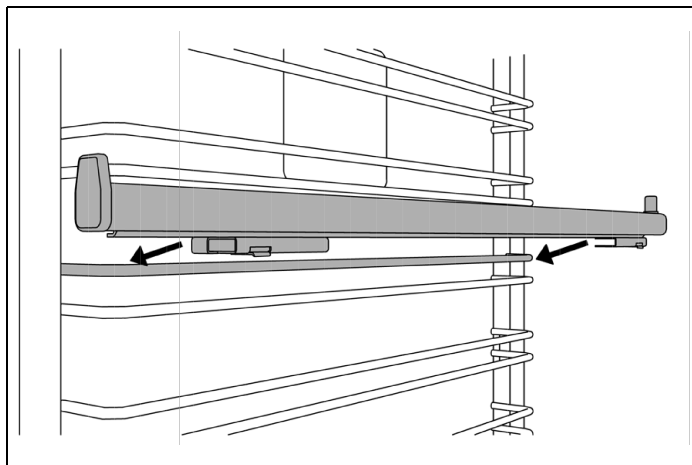


Fig. 15

- 1) Localice los dos clips de resorte en la parte delantera y trasera de los deslizadores.
- 2) Localice el pasador en el deslizador que indica la parte trasera.
- 3) Elija el nivel adecuado y coloque el deslizador telescópico cerca del cable superior.
- 4) Inserte el clip de resorte trasero en el deslizador.
- 5) Inserte suavemente el clip de resorte delantero en el deslizador.
- 6) Tire de cada deslizador y empújelo para garantizar una instalación correcta y un funcionamiento suave.
- 7) Extraiga ambos deslizadores hasta la posición totalmente extendida y coloque el estante sobre ellos, asegurándose de que queda bien colocado entre el pasador trasero y el delantero.

RETIRAR LOS DESLIZADORES

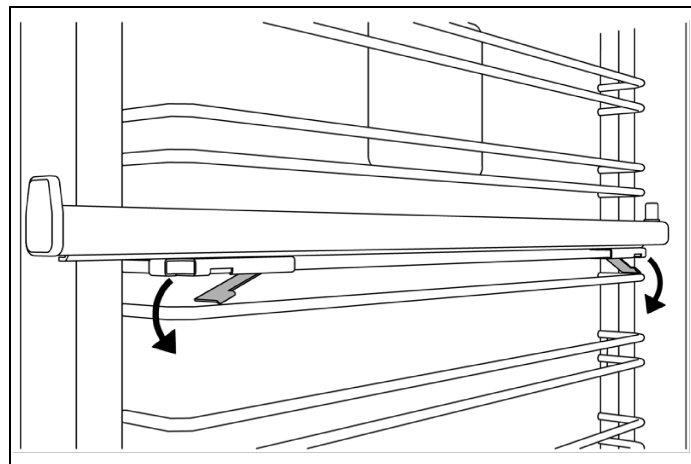


Fig. 16

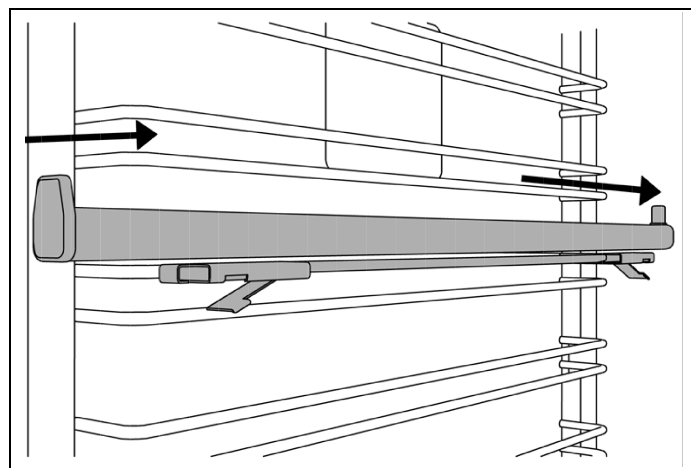


Fig. 17

- 1) Localice los dos clips de resorte en la parte delantera y trasera del deslizador.
- 2) Tire despacio hacia abajo del clip de resorte delantero.
- 3) Tire del deslizador hacia afuera del lado del horno - tenga cuidado de no tensar el clip.
- 4) Repita los pasos 2 - 3 en el clip de resorte trasero para retirar el deslizador.

MANTENIMIENTO SENCILLO

Estas sencillas tareas pueden ser realizadas por el propietario. Para cualquier otra tarea de mantenimiento, le recomendamos que recurra a un técnico de servicio capacitado. Llame a nuestra línea gratuita para identificar a los técnicos de servicio de su zona:

Si se encuentra en EE.UU. 866 905 0010

<https://us.bertazzoni.com/more/support>

Si se encuentra en CANADÁ 800 561 7265

<https://ca.bertazzoni.com/more/support>

SUSTITUCIÓN DE LAS LUCES DEL HORNO



ADVERTENCIA

¡Peligro de descarga eléctrica!

Desconecte la corriente eléctrica en el fusible principal o en el disyuntor antes de sustituir la bombilla.

NO toque la bombilla con las manos desnudas. Limpie cualquier rastro de aceite de la bombilla y del asa con un paño suave.

CAVIDAD PRINCIPAL

Tipo de bombilla: halógena G9 120 V, 25 W

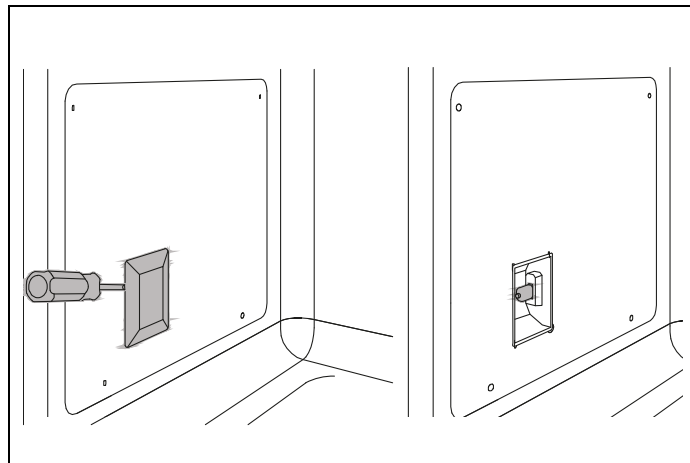


Fig. 18



ADVERTENCIA

Asegúrese de que los elementos calefactores se apagan y se han enfriado completamente.

Desconecte el electrodoméstico de la red eléctrica. Retire la rejilla del horno si interfiere con el alojamiento de la luz.

- Deslice la punta de un destornillador plano entre la cubierta de cristal y el alojamiento de la lámpara. Gire suavemente la punta del destornillador para aflojar la tapa de cristal de la lente, sujetándola con los dedos para evitar que se caiga y se rompa.
- Retire la tapa de cristal de la lente y, a continuación, extraiga la bombilla halógena.
- Coloque una bombilla halógena nueva en su ranura. NO toque la bombilla con las manos desnudas.
- Vuelva a colocar la tapa de cristal en su sitio y vuelva a colocar la rejilla del horno.
- Vuelva a conectar el horno a la red eléctrica.
- Coloque una bombilla halógena nueva en su ranura. NO toque la bombilla con las manos desnudas.
- Vuelva a colocar la tapa de cristal en su sitio y vuelva a colocar la rejilla del horno.
- Vuelva a conectar el horno a la red eléctrica.

MANTENIMIENTO SENCILLO

SUSTITUCIÓN DE LA JUNTA DEL DEPÓSITO

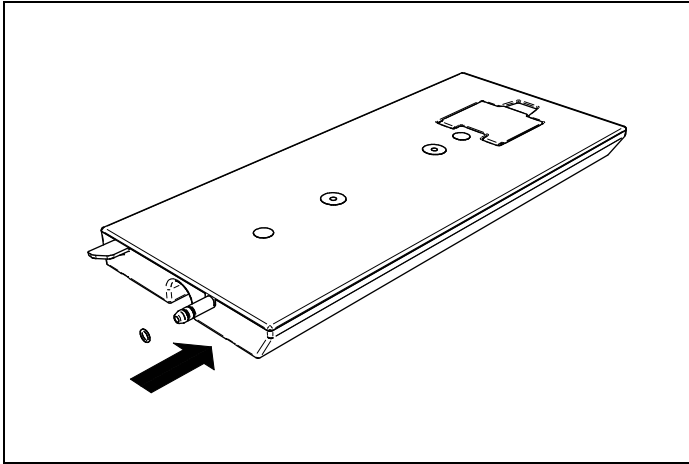


Fig. 19

Cada vez que retire el depósito, compruebe que las juntas estén intactas y correctamente colocadas.

Sustitúyalas por las suministradas si estuvieran dañadas.

MANTENGA LIMPIO SU HORNO BERTAZZONI



PELIGRO

Peligro de quemaduras

Asegúrese de que los elementos calefactores se apagan y se dejan enfriar completamente antes de cualquier operación de limpieza y/o mantenimiento.



ATENCIÓN

Acciones que debe evitar:

- No utilice un limpiador de vapor para limpiar el horno: el vapor podría alcanzar los componentes eléctricos y provocar un cortocircuito.
- No pulverice líquidos, como productos de limpieza, en las aberturas de la parte inferior y superior de la cavidad del horno.
- Todas las superficies pueden decolorarse o dañarse si se utilizan productos de limpieza inadecuados. La parte frontal del horno, en particular, resultará dañada por los limpiadores y desincrustantes.
- Todas las superficies son susceptibles de rayarse. Los arañazos en las superficies de cristal pueden provocar una rotura. Elimine inmediatamente cualquier residuo utilizando productos de limpieza adecuados.
- Los elementos calefactores del horno no requieren limpieza. Los elementos quemados cualquier residuo cuando el horno está en uso.

LIMPIEZA DEL ACERO INOXIDABLE

Todas las piezas de acero inoxidable deben limpiarse con agua caliente y una solución jabonosa al final de cada ciclo.

Limpe inmediatamente los derrames. Utilice productos de limpieza adecuados y no abrasivos para acero inoxidable cuando el agua y la solución jabonosa no sean suficientes.

NO utilice estropajos de acero, paños abrasivos, limpiadores ni polvos. Si es necesario, raspe el acero inoxidable para eliminar los materiales incrustados, empape la zona con toallas calientes para ablandar los residuos y, a continuación, utilice una espátula o rasqueta de madera o nailon. NO utilice un cuchillo metálico, una espátula o cualquier otra herramienta metálica para raspar el acero inoxidable.

Los siguientes líquidos utilizados habitualmente en las cocinas pueden ser corrosivos y dañinos para el acero inoxidable:

- zumo de limón/naranja (ácido cítrico)
- zumo de tomate
- líquidos azucarados/ jarabe
- agua salada
- vinagre

LIMPIEZA DE SUPERFICIES PINTADAS

LímpielaS con un paño suave, agua tibia y líquido lavavajillas no abrasivo. Mientras aún estén húmedas, séquelas con un paño suave y limpio.

LIMPIEZA DE SUPERFICIES ACRISTALADAS

- Limpie con detergente y agua tibia.
- Puede utilizar limpiacristales para eliminar las huellas dactilares.
- Si utiliza limpiacristales que contengan amoníaco, asegúrese de que no gotee sobre la superficie exterior de la puerta.

LIMPIEZA DE LA BANDEJA DE ASAR

Limpie con detergente y agua caliente. Para las manchas difíciles, utilice un estropajo de acero lleno de jabón. El acabado de esmalte porcelánico es resistente pero no a prueba de ácidos. Los alimentos ácidos, como los zumos de cítricos, los tomates, el ruibarbo, el vinagre, el alcohol o la leche, deben limpiarse y no dejar que se cuecen en la porcelana durante el siguiente uso.

LIMPIEZA DE LA CAVIDAD DEL HORNO

- Deje enfriar siempre el interior del horno antes de limpiarlo.
- No deje que el vinagre, el vino, el café, la leche, el agua salada o los zumos de fruta permanezcan en contacto con las superficies esmaltadas durante periodos prolongados, ya que pueden manchar o decolorar la superficie.
- No utilice nunca utensilios afilados para quitar las manchas, ya que podrían rayar la superficie.
- No utilice nunca limpiadores de vapor en el interior del horno, ya que el vapor puede dañar las piezas electrónicas.
- Para una limpieza ligera, limpie con un paño suave, utilizando agua tibia y detergente líquido. Para residuos más pesados, utilice un limpiador en crema y un estropajo de nailon.
- Los productos de limpieza para hornos pueden utilizarse siguiendo las instrucciones del fabricante, pero debe procurarse que no entren en contacto con ninguna pieza de acero inoxidable, cromo, pintura o aleación de la cocina, ni con las juntas y elementos de la puerta.

MANTENGA LIMPIO SU HORNO BERTAZZONI

LIMPIEZA DE LAS REJILLAS Y SOPORTES DEL HORNO

Limpie con detergente y agua caliente. Las manchas rebeldes se pueden frotar con un estropajo de acero lleno de jabón

SOLUCIÓN DE PROBLEMAS

He aquí la respuesta a los problemas más comunes que puede experimentar.

También puede llamar a nuestra línea gratuita de atención al cliente para solucionar cualquier problema con su Bertazzoni.

Si se encuentra en EE.UU.

866 905 0010

<https://us.bertazzoni.com/more/support>

Si se encuentra en CANADÁ

800 561 7265

<https://ca.bertazzoni.com/more/support>

SOLUCIÓN DE PROBLEMAS

El horno no se enciende	No hay suministro eléctrico o podría estar interrumpido. Compruebe el fusible del interruptor o el disyuntor.
El horno no se calienta	Compruebe si la función MODO DEMO está activada.
La pantalla se calienta demasiado	¿Está cocinando con la puerta del horno abierta? Mantenga cerrada la puerta del horno cuando no lo utilice o cuando ase a la parrilla.
Se forma condensación en el horno	¿Ha precalentado el horno? Es menos probable que se forme condensación si el horno o la parrilla se precalientan antes de su uso.
Se genera humo en el horno	¿Ha seleccionado la temperatura de cocción adecuada? ¿Cocina alimentos con mucha grasa? ¿Utiliza poco la parrilla? ¿Ha cocinado grasa bajo la parrilla? ¿Es necesario limpiar el interior del horno? Recuerde reducir la temperatura del horno en 20 °C si utiliza la función de ventilador con una receta diseñada para cocción convencional. Utilice platos altos para contener las grasas y las salpicaduras. Deje la parrilla encendido durante unos minutos después de asar a la parrilla para quemar los depósitos de grasa del techo del horno. Las superficies del horno deben limpiarse periódicamente para evitar la acumulación de residuos de cocción.
El horno funciona pero la luz no se enciende	Es posible seguir cocinando. Cuando el horno se enfríe sustituya la bombilla.
El ventilador sigue funcionando después de parar la cocción	El ventilador se apagará automáticamente cuando las partes internas del horno se hayan enfriado.
La luz del horno se apaga durante la cocción pero se enciende cuando la puerta está abierta	El modo ECO está ajustado
El reloj no es visible durante la espera	El modo ECO está ajustado
Los alimentos se cocinan demasiado rápido	Si utiliza un modo de cocción del horno asistido por ventilador, se recomienda reducir la temperatura de cocción en 20 °C en comparación con la cocción convencional.
Los alimentos no se cocinan uniformemente	¿Cocina grandes cantidades o utiliza recipientes grandes? El aire debe circular por el horno para que la cocción sea uniforme. Retire del horno la bandeja de la parrilla cuando no la utilice y deje siempre un espacio libre en los cuatro lados de los platos. Es posible que tenga que girar la bandeja durante el ciclo de cocción. Las bandejas para hornear, las bandejas para asar y los moldes para pasteles demasiado grandes actuarán como un deflector e impedirán que el aire caliente se mueva uniformemente por la cavidad. Elija un equipo de cocción que deje un espacio mínimo de 2,5 cm en todos los lados para permitir la libre circulación del calor dentro de la cavidad.
Asar a la parrilla en el horno es lento	¿Ha seleccionado la función correcta?
El ciclo de autolimpieza no se inicia	Compruebe si se ha retirado el depósito de agua Compruebe si el horno está completamente cerrado
En la cavidad principal no empieza la limpieza con vapor	Compruebe si ha llenado el depósito
- Gotea agua - Sale vapor por la junta de la puerta - Queda agua en el horno.	Puede aparecer agua/vapor dependiendo del alimento que se esté cocinando. Esto es normal. Deje enfriar el horno; límpielo con una toalla seca

SOLUCIÓN DE PROBLEMAS

La puerta del horno se queda cerrada después de la autolimpieza.	El horno está demasiado caliente. Deje enfriar el horno.
Ruido del ventilador.	El ventilador de convección se enciende y apaga solo. Esto es normal.

Para obtener información sobre la garantía y solicitar servicio, contáctenos:



En EE.UU.: <https://us.bertazzoni.com/more/support>

En Canadá: <https://ca.bertazzoni.com/more/support>



www.bertazzoni.com
Via Palazzina, 8
42016 Guastalla RE
www.lagermania.com
Via Palazzina, 8
42016 Guastalla RE

© 2026 BERTAZZONI. All rights reserved.

3101154_v.01