

# FZU30LX



<b>Product family</b>	Freezers
<b>Installation</b>	Built-in
<b>Built-In Niche</b>	200
<b>Category</b>	One Door
<b>Reference width</b>	70 - 80
<b>Reference height</b>	Higher than 200
<b>Cooling type</b>	No-frost
<b>Hinge</b>	Door-to-door
<b>Hinge position</b>	Left



## Aesthetic

<b>Aesthetics</b>	Classic	<b>Handle color</b>	Stainless steel
<b>Color</b>	Stainless steel	<b>Side material</b>	Metal
<b>Material</b>	Stainless steel	<b>Side color</b>	Steel
<b>Door stainless steel type</b>	Normal	<b>Logo</b>	Applied
<b>Handle</b>	External	<b>Drawers profile color</b>	Silver
<b>Handle</b>	Fixed	<b>Display</b>	TFT

## Freezer features

<b>Freezer lighting</b>	Yes
<b>Freezer lighting</b>	Incandescent light
<b>Number of drawers</b>	4

## Other Freezer features

<b>Ice maker</b>	Automatico
------------------	------------

## Other technical features



<b>Display functions</b>	Holiday, Fast-freezing, MultiZone, Sabbath	<b>No. of compressors</b>	1
<b>Fast-freezing button</b>	Yes	<b>Refrigerant gas type</b>	R600a
<b>Power-on light</b>	Yes	<b>Type of compressor</b>	Inverter
		<b>Refrigerant quantity</b>	85 oz

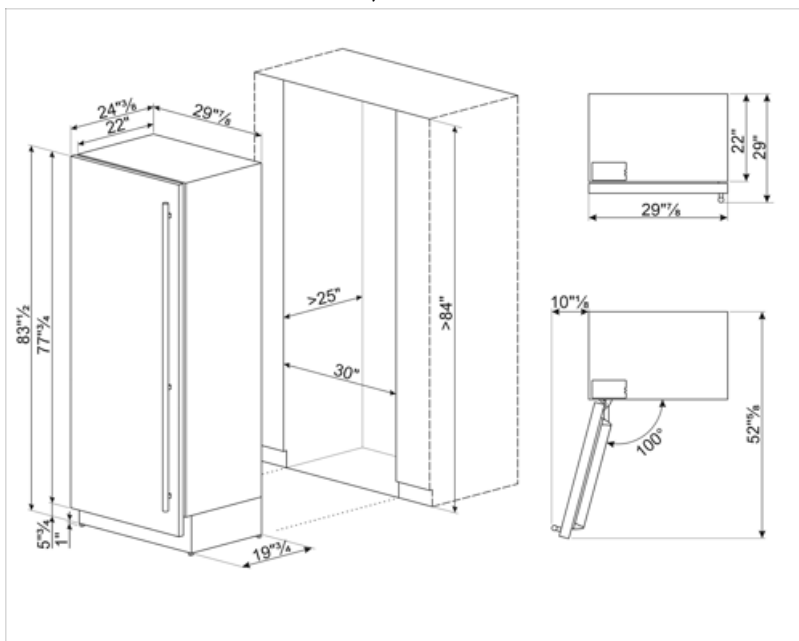
Door-open alarm	Yes	Foam agent	Cyclopentane
Antibacterial Gasket	Yes	Metal panel on the back of the fridge	Metal
Type of temperature control	Electronic		

## Performance / Energy Label

Total volume 119.4 gal

## Electrical Connection

Plug	(B) NEMA 5-15P	Voltage	115 V
Nominal power rating	344 W	Frequency (Hz)	60 Hz
Current	2,5 A	Power cord length	78 3/4 "



---

## Symbols glossary

---



**Fast freezing:** The fast freezing function brings the temperature of the compartment down when activated a few hours prior to usage.



**Inverter technology:** The evolution of Smeg's driers towards more intelligent and environmentally sustainable models has led to the choice of using Inverter technology with heat pumps, which reduces significantly energy consumption.



**Built-in niche**



**Power saving mode:** The power saving mode allows you to disable the refrigerator and keep the freezer working.



**Multizone:** Multizone compartment can be used as a refrigerator or a freezer compartment. Depending on your needs and eating habits, you can select settings, program the temperature using.



**No Frost:** The No Frost and Frost free systems prevent ice from forming so that no defrosting is required.

## Benefit (TT)

---

### **No-Forst Cooling System**

The No Frost system prevents the formation of ice and contributes to better preservation of food in the refrigerator

### **Door-on-door Hinge**

Fixed hinges, otherwise known as door-on-door hinges, directly connects the cabinet door to the appliance door

The cabinet door will not be attached to the rest of the cabinetry. Instead, it will be completely attached to the appliance door. Therefore, the appliance door will be bearing the weight of the cabinet door. This type of fitting is often sturdier than a sliding hinge fitting, and can give you a sleeker finish.

### **TFT Display**

The TFT display offers an intuitive and elegant interface, making operation simple and immediate with a premium touch

### **Internal illumination**

Interior lighting for perfect visibility of the drawers in the freezer compartment

### **External Handle**

The external handle ensures practicality and ease of use of the freezer

### **R600a Refrigerant Gas**

Environmentally friendly R600a refrigerant gas contributes to rapid cooling with lower energy consumption

### **Automatic Ice Maker**

Automatic ice maker for ice always available when needed