

COLORED PANEL REPLACEMENT DELUXE GRILL - MODEL # AGCP36x / 42x



IMPORTANT - READ ALL INSTRUCTIONS BEFORE YOU BEGIN

THE INSTRUCTIONS HEREIN SHOULD BE PERFORMED BY A QUALIFIED SERVICE TECHNICIAN. THE APPLIANCE MUST BE COMPLETELY COOL AND THE GAS SOURCE MUST BE SHUT OFF. THE POWER MUST BE DISCONNECTED. IF AN LP TANK IS INSTALLED, REMOVE IT. REMOVE ALL ITEMS INSIDE THE LARGE DRAWER.

CAUTION

Some parts inside your Deluxe Grill have sharp edges. Care must be taken when handling the various components to avoid personal injury. Wear gloves when handling.

TOOLS REQUIRED:

Flat and Phillips screwdrivers
1/8" Allen wrench

CART DISASSEMBLY

CAUTION

NOTE: Parts of the grill are very heavy. Ask a helper to provide assistance removing the large drawer. Apply the brakes to the 2 casters.

1. Fully extend the large drawer and place a block of wood beneath to support the weight of the drawer. Using an Allen wrench, remove 3 attachment bolts on each drawer slide (red arrows) as shown in Fig. 1. Remove the drawer from the grill cart with help from an assistant.

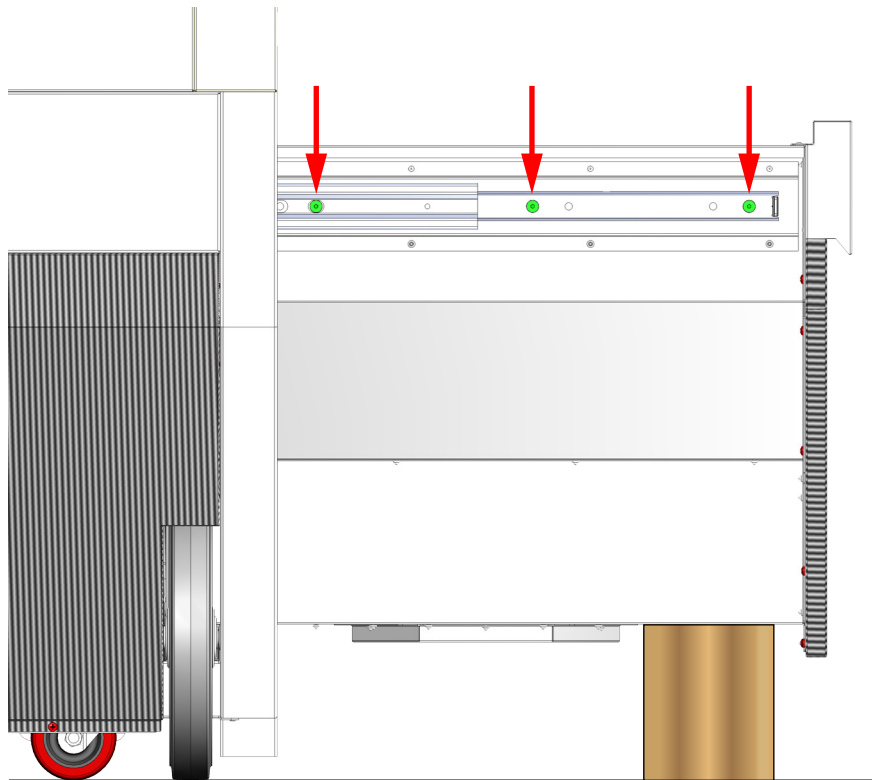


FIG. 1



CART DISASSEMBLY (CONTINUED)

2. As shown in Fig. 2, remove 4 screws on the large louvered cover at the back of the grill. Remove cover and set aside.

Remove 4 screws for small access panel. The grill electrical box is attached to the inside of this panel. Detach the 4, 8, and 10-pin electrical connectors at the top and bottom of the box and remove this assembly and set aside.

You now have access to all interior screws securing left and right textured panels of the cart.

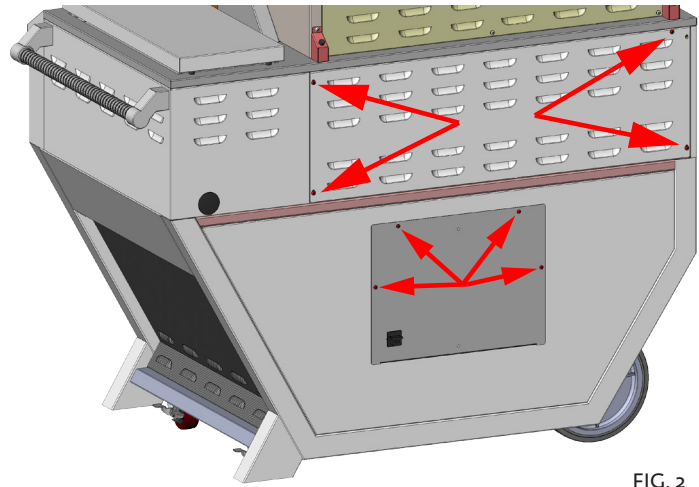


FIG. 2



LEFT PANEL REPLACEMENT

3. When viewed from the front, remove 6 screws shown in Fig. 3.

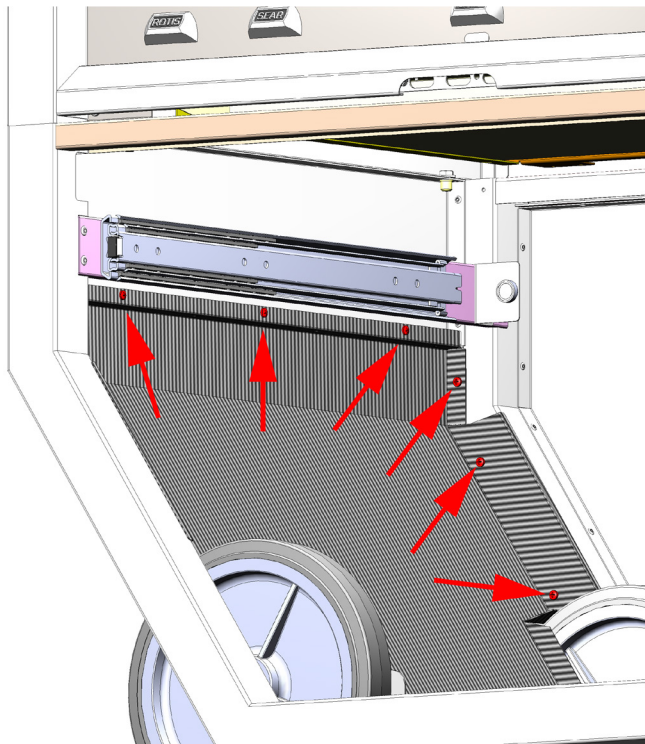


FIG. 3

4. When viewed from the rear access areas, remove 3 screws shown in Fig. 4.

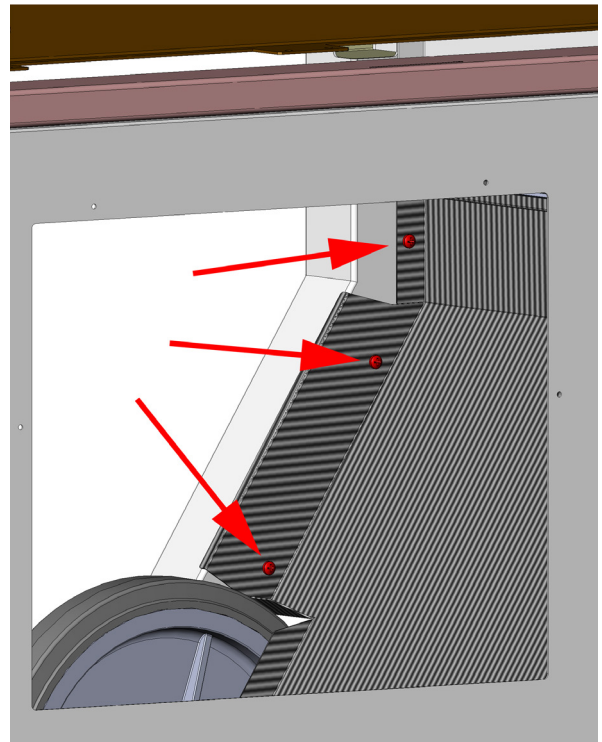


FIG. 4

LEFT PANEL REPLACEMENT (CONTINUED)



5. Remove the last 2 screws at the left-bottom of the cart as shown in Fig. 5. Panel should come off by pushing from the inside toward the exterior of the unit.

Re-assembly is the reverse process. It is recommended to install all screws by hand, and NOT use a drill-driver or screw gun. It is very easy to strip the threaded holes.

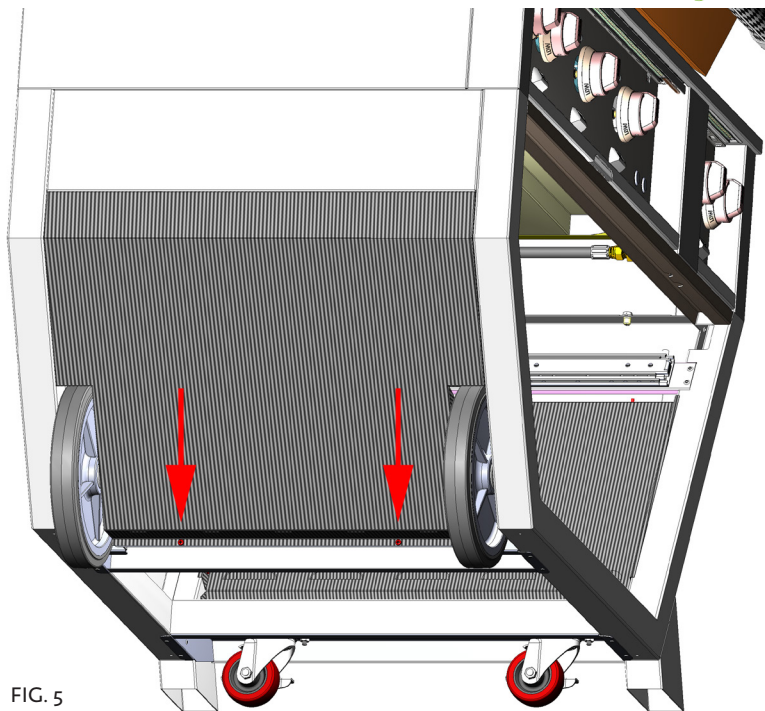


FIG. 5

EN

RIGHT PANEL REPLACEMENT



6. When viewed from the front, remove 7 screws shown in Fig. 6.

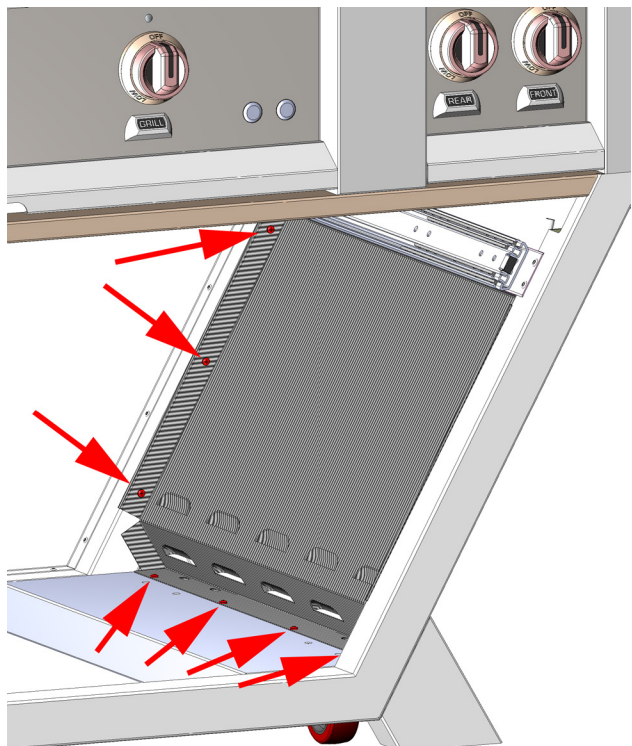


FIG. 6

7. When viewed from the rear access areas, remove 3 screws shown in Fig. 7.

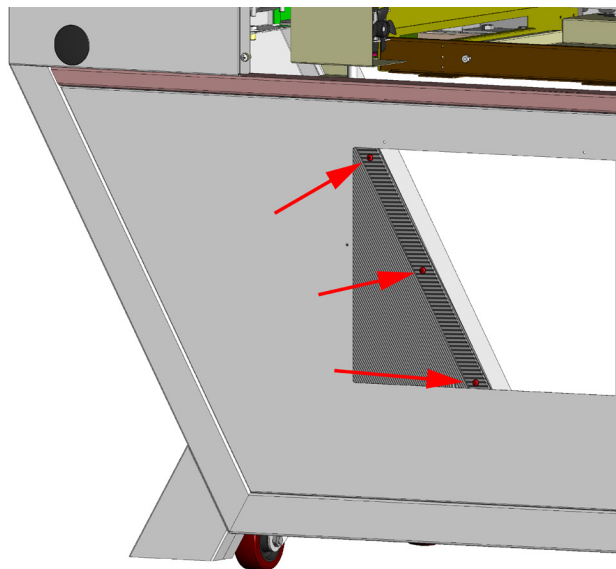


FIG. 7



RIGHT PANEL REPLACEMENT (CONTINUED)

8. Remove the last 3 screws at the right-bottom of the cart as shown in Fig. 8. Panel should come off by pushing from the outside toward the interior of the unit. There is a small drain hose which also must be disconnected from inside the panel.

Re-assembly is the reverse process. It is recommended to install all screws by hand, and NOT use a drill-driver or screw gun. It is very easy to strip the threaded holes.

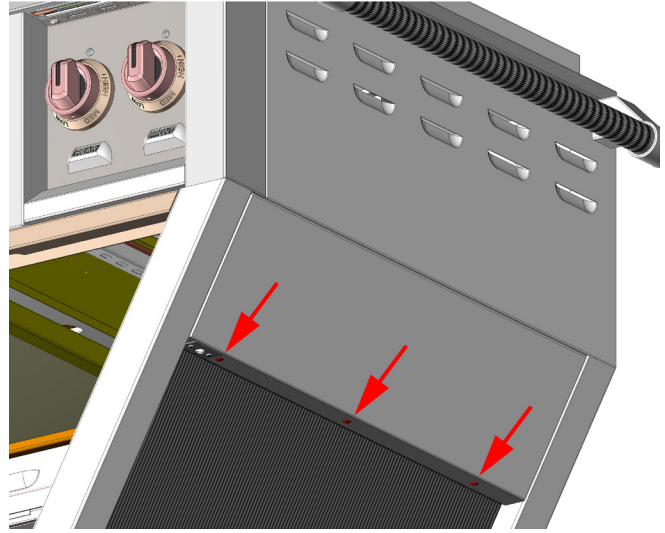


FIG. 8



FRONT PANEL REPLACEMENT

9. Lay the drawer face-down on a flat surface with a blanket or towel to protect the finish. Remove the textured panel by removing all screws as shown in Fig. 9. There are 12-14 screws (depending on which model grill you own). There are also 3 screws inside the drawer (Fig 10).

Re-assembly is the reverse process. It is recommended to install all screws by hand, and NOT use a drill-driver or screw gun. It is very easy to strip the threaded holes.

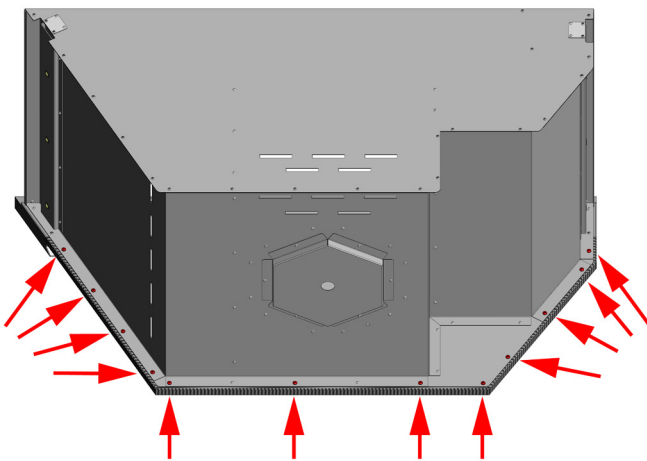


FIG. 9

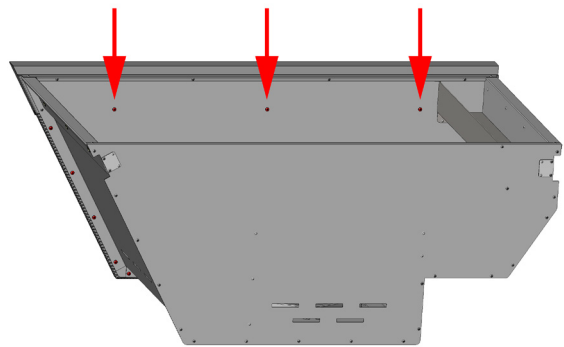


FIG. 10

10. Final re-assembly is the reverse process of steps 1 & 2. Re-installing the large drawer into the grill can be difficult without the aid of a helper. Be sure to tighten the 6 screws on the drawer slides, then check for easy movement and proper clearances all around the drawer as you push it back in. Remember to plug in the electrical box connections. Check for proper grill operation.