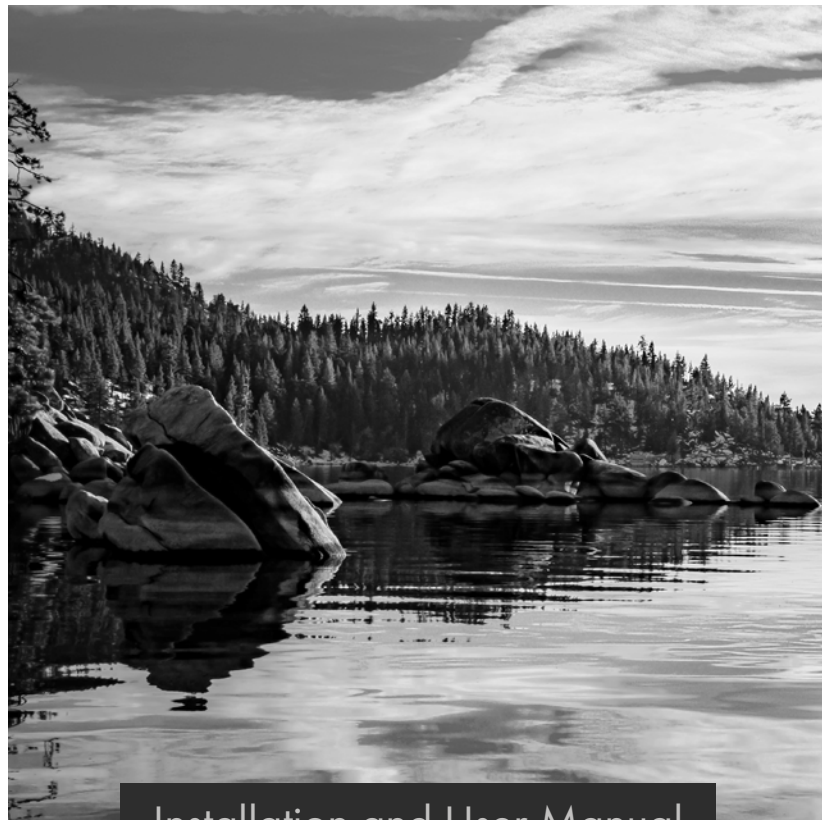


ZLINE

ATTAINABLE LUXURY[®]



Installation and User Manual

OUTDOOR GRILL HOODS GOi, GOU, & GOW MODELS

zlinekitchen.com



ZLINE Kitchen and Bath provides Attainable Luxury, where the kitchen and bath of your dreams is never out of reach. Through our unique designs and unparalleled quality, we're dedicated to providing you an elevated experience in the heart of your home. With an endless selection of features and finishes, our inspiration is your reality.

ZLINE
ATTAINABLE LUXURY®



ZLINE is fueled by a passion for innovation—a relentless pursuit of bringing the highest end luxury designs and professional features into everyone’s homes.

Because we continually strive to improve our products, we may change specifications and designs without prior notice.

Scan the QR code to view the most up-to-date version of the Installation Manual and User Manual.

⚠ WARNING: This product can expose you to chemicals including nickel, which is known to the State of California to cause cancer. For more information, go to www.P65Warnings.ca.gov.

TABLE OF CONTENTS

- IMPORTANT SAFETY INSTRUCTIONS 1

- BEFORE INSTALLATION.....5
 - Ventilation and Clearances 5

- ISLAND MODELS 11
 - Before Installation 11
 - Installation 14

- UNDERCAB MODELS..... 18
 - Before Installation 18

- WALL MODELS20
 - Before Installation 20

- UNDERCAB & WALL MODELS23
 - Installation 23
 - Motor Rotation - GOU Models Only (Optional) 29
 - Grease Tunnel Installation 31
 - Baffle Filter Installation 32

- OPERATION33

- CLEANING AND MAINTENANCE.....34

- TROUBLESHOOTING.....36

- WARRANTY.....38

IMPORTANT SAFETY INSTRUCTIONS



If the information in this manual is not followed exactly, a fire or explosion may result causing property damage, personal injury, or death.



WARNING: NOT SUITABLE FOR USE WITH SOLID-STATE SPEED CONTROLS



AVERTISSEMENT : NE CONVIENT PAS À DES RÉGULATEURS DE VITESSE À SEMI-CONDUCTEURS

- Before beginning installation, please read and follow these important instructions for the safety of your home and the people living in it.
- The instructions in this manual are intended for qualified installers and certified service technicians. Installation and electrical wiring must be completed by qualified professionals and in accordance with applicable codes and standards.
- DO NOT attempt to install this appliance yourself. Injury could result from installing the unit due to lack of appropriate electrical and technical background.
- The installer should leave these instructions with the consumer who should retain for local inspectors' use and for future reference.
- Due to the size and weight of ZLINE range hoods and grill hoods, two-person installation is highly recommended.
- Use care when handling the hood, chimney cover, baffle filters, and any parts or accessories, as sharp edges may lead to injury. Use of gloves during installation is highly recommended.
- The manufacturer will not be responsible for any damage to property or to persons caused by incorrect installation, improper use of the appliance, or failure to heed the warnings listed.
- The manufacturer reserves the right to make changes to its products when considered necessary and useful, without affecting the essential safety and operating characteristics.
- This appliance is designed for general ventilating use only. DO NOT use to exhaust hazardous or explosive materials and vapors.

IMPORTANT SAFETY INSTRUCTIONS

- The combustion air flow needed for safe operation of fuel-burning equipment may be affected by this unit's operation. Follow heating equipment guidelines and safety standards such as those published by the National Fire Protection Association (NFPA), American Society of Heating, Refrigeration and Air Conditioning Engineers (ASHRAE), and local code and government authorities.
- Sufficient air is needed for proper combustion and exhausting of gases through the ducting installed with range hoods and grill hoods to prevent back drafting.
- Before servicing or cleaning the unit, fully disconnect the hood from power to avoid risk of electric shock and injury.
- Please consult an HVAC or installation professional for advice to comply with local regulations and ensure appropriate ventilation.
- When cutting or drilling into a wall or ceiling, be careful not to damage electrical wiring or other hidden utilities.
- All electrical wiring must be properly installed, insulated, and grounded. A 120 VAC, 60 Hz, AC-only fused electrical supply is required on a separate 15-amp circuit, fused on both sides of the line.
- Using an outlet with a ground fault circuit interrupter (GFCI) is not recommended.
- Electrical installation must be in accordance with the National Electrical Code ANSI/NPA70-latest edition and/or local codes.
- Old duct work should be cleaned or replaced, if necessary, to avoid the possibility of a grease fire or other hazard. Check all joints on duct work to ensure proper connection; all joints should be properly taped/secured.
- Keep the motor, fans, baffle channels, filters, tunnels, cups, and grease-laden surfaces clean. Grease should not be allowed to accumulate inside or on the surface of the hood; clean surfaces frequently.
- Take care when cleaning a range hood or grill hood in spray form: never direct spray of water or cleaners onto the electrical wiring, motor, button panel, or light bulbs.
- After installation, use a stainless steel cleaning product or wipe to eliminate any residues from protective film after removal.
- When cleaning stainless steel, only use a stainless steel cleaner product with a soft sponge, or use a cloth with a warm soap and water solution. Never use abrasive powders or liquids.
- All ZLINE range hoods and grill hoods are ETL-listed, ensuring all parts were tested for safety and meet industry standards and regulations.

IMPORTANT SAFETY INSTRUCTIONS

- You must purchase appropriate flexible ducting and any additional items to vent the hood in accordance with government codes.
- Please verify with local and state regulations on the proper venting method for your hood. Many agencies have CFM rating specifications for your hood.
- Always turn the hood on when cooking at high heat or when cooking flaming foods. Use high settings on the cooking surface below only when necessary.
- Never leave cooktop surface units underneath a grill hood unattended at high settings. Boilovers can cause smoking and greasy spillovers that may ignite. Heat oils slowly on low or medium settings.
- Always use appropriate cookware and utensils; always use cookware appropriate for the size of the surface element on your cooktop underneath a grill hood.
- To reduce the risk of injury in the event of a cooktop grease fire, smother flames with a close fitting lid, cookie sheet, or metal tray, then turn off the burner. Never pick up a flaming pan — you may be severely burned.
- Keep flammable or combustible material away from flames. If flames do not go out immediately, evacuate and call the fire department. DO NOT use water, including wet dishcloths or towels — a violent steam explosion will result.
- Carefully inspect all items for damages upon delivery. Upon acceptance of the grill hood, owner assumes responsibility for its safe arrival.
- Before installing your unit, test the grill hood for proper functionality by plugging it into an appropriate outlet and testing the fan and lights. Do not install any appliance if it has missing or broken parts. If units arrive damaged, contact ZLINE Customer Service at 1-614-777-5004 for help.
- Do not install, repair or replace any part of the grill hood unless specifically recommended in the literature and manual accompanying it.
- Use the grill hood only for its intended purpose as outlined in this manual. DO NOT use this hood to vent hazardous or explosive materials or vapors.
- Do not tamper with the controls.
- Never allow the filters to become blocked or clogged. Do not allow foreign objects, such as cigarettes or napkins, to be sucked into the hood. If the cooking surface and hood are near a window, use an appropriate window treatment. Avoid long drapes or other window coverings that could blow over the cooking surface and hood, resulting in a fire hazard.

IMPORTANT SAFETY INSTRUCTIONS

- Always run the blowers while the appliance is operating. Failure to do so will result in the overheating and failure of components.
- Do not leave children or pets alone or unattended in the area while the cooking surface and grill hood are in use.
- The minimum vertical distance between the cooking surface and the bottom of the hood must be no less than 36" (914 mm). The maximum vertical distance recommended is 40" (1016 mm.)

To reduce the risk of a grease fire:

- Never leave cooking surfaces unattended during operation.
- Always turn hood ON when cooking. Failure to do so will overheat component parts causing damage, which is not covered under the warranty.
- Clean ventilating fans frequently. Grease should not be allowed to accumulate on fan, grease filters or in the grease tunnels.

To reduce the risk of injury to person in the event of a grease fire:

- SMOTHER FLAMES with a close-fitting lid, cookie sheet or metal tray, then turn off the burner. BE CAREFUL TO PREVENT BURNS. If the flames do not go out immediately, EVACUATE AND CALL THE FIRE DEPARTMENT.
- NEVER PICK UP A FLAMING PAN - you may be burned.
- DO NOT USE WATER, including wet dish clothes or towels - a violent steam explosion may result.

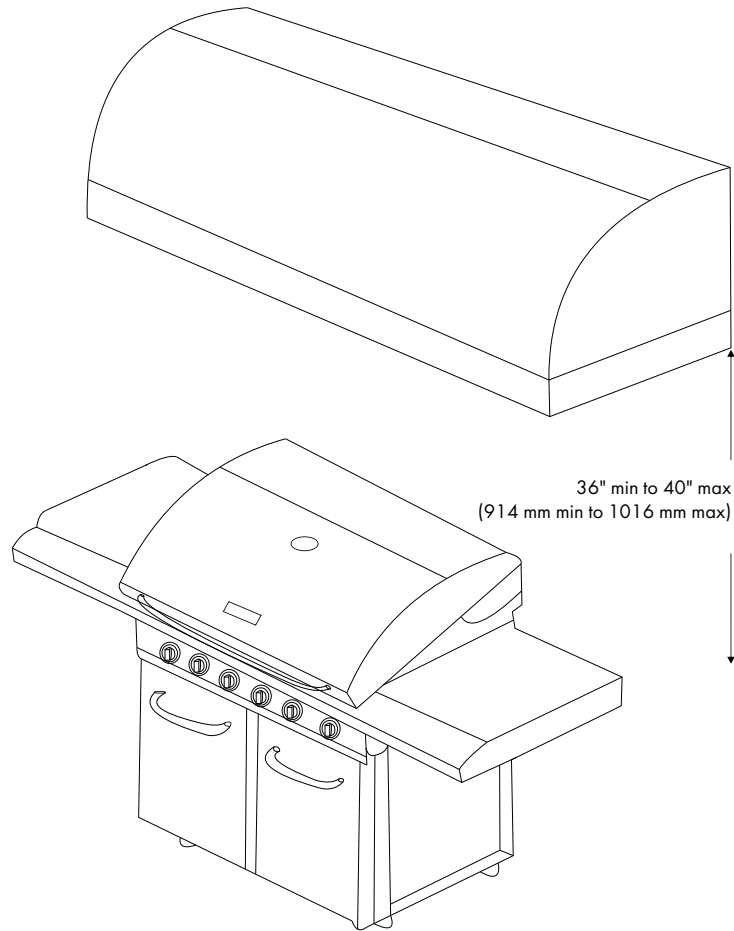


WARNING: ZLINE grill hoods are designed for outdoor use only in barbecue grill and other outdoor cooking environments. Do not install or operate this product inside a home or in enclosed indoor spaces, as improper use may pose safety risks and void the warranty.

BEFORE INSTALLATION

VENTILATION AND CLEARANCES

It is important to install the hood at the proper mounting height. Hoods mounted too low could result in heat damage and cause a fire hazard. Hoods mounted too high will be hard to reach and will lose performance and efficiency.



For best operation, we recommend you:

- Plug in and test controls (lights, fans) before installing.
- Allow 36"–40" (914 mm–1016 mm) between the top of your cooking surface and the bottom of hood.
- Vent vertically through the roof if possible.
- Vent through a side wall if you cannot vent directly above your hood.
- Vent with two completely straight runs of pipe and only deviate if absolutely necessary.
- Make sure there is at least 24" (610 mm) of straight vent between any elbows.
- Use silver or duct tape to seal all joints in the vent system.

BEFORE INSTALLATION

- Use caulking to seal exterior openings around the cap.
- Always use metal or aluminum ducts for maximum airflow.
- Always keep the duct clean to ensure proper airflow.
- Ensure the vent caps used at the termination of the ducting are rated to handle the CFM of the duct run. **NOTE:** The blower motors are rated for 1,000 CFM EACH and therefore both of the vent caps would need to have a rating of 1,000 CFM EACH.

NOTE: This model comes with two vent outlets each ready to accept 8" (203 mm) pipe. To ensure proper performance, maintain the dual exhaust paths vs. combining into a single pipe. Combining into a single pipe can create a competition between the two motors either creating poor performance and/or one motor overtaking the other. It is also recommended to have a vent cap with a damper and screen whose exhaust capabilities mimic that of the discharge of the pipe. As vented as described above, one would require two vent caps with damper and screen each having a rating of 1,000 CFM per cap.

VENTING REQUIREMENTS

- Ducting is not provided with your ZLINE grill hood. It's recommended to use solid ducting made of galvanized steel or another appropriate rigid metal ducting whenever possible for the lowest noise and highest flow.
- Use a maximum of 40' (12192 mm) of ductwork. Try to minimize the use of elbows.
- Every deviation reduces the effectiveness of the hood and decreases the airflow the hood is able to move. When deviation is necessary, use 45° elbows over 90° elbows, with no more than three 45° elbows.
- You must establish a minimum of 24" (610 mm) of vertical airflow from the top of the hood before executing any 90° turn. No more than 3 elbows are allowed; each 90° turn you make equates to 5' (1524 mm) lost when accounting for the maximum 40' (12192 mm).
- **DO NOT** install two elbows together. If turns or transitions are required, install them as far from the hood as possible.
- Do not use any reducers on ducting smaller than the appropriate diameter for your hood's transition piece.
- Any existing or additional dampers should be inspected for proper operation.
- The size of the vent should be uniform or larger than the cooking surface below.
- Always keep the duct clean to ensure proper airflow.

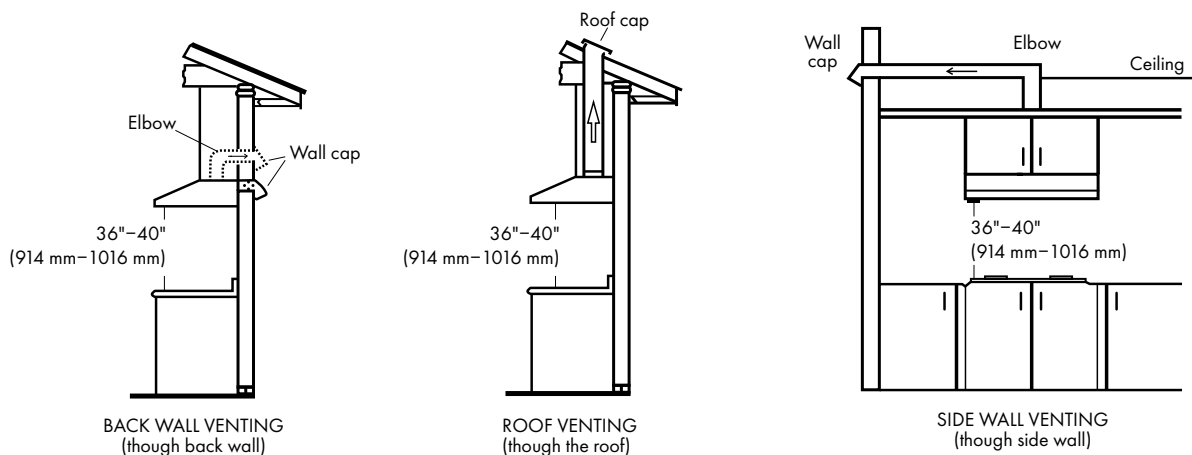
BEFORE INSTALLATION

FOR THE MOST EFFICIENT AND QUIET OPERATION

- A minimum of 8" (203 mm) round (standard for this grill hood) or 3 1/4 x 10" (83 mm x 254 mm) rectangular duct (purchased separately) must be used to maintain maximum airflow efficiency.
- Always consult an HVAC or installation professional to determine the best ducting option for your grill hood, as each kitchen layout will vary.

VENTING METHODS

This grill hood is factory set for venting through a roof or wall. Vent work can terminate either through the roof or wall. To vent through a wall, use a 90° elbow. Below are examples of appropriate ducting options.



NOTE: Only GOU models can be rear-vented.

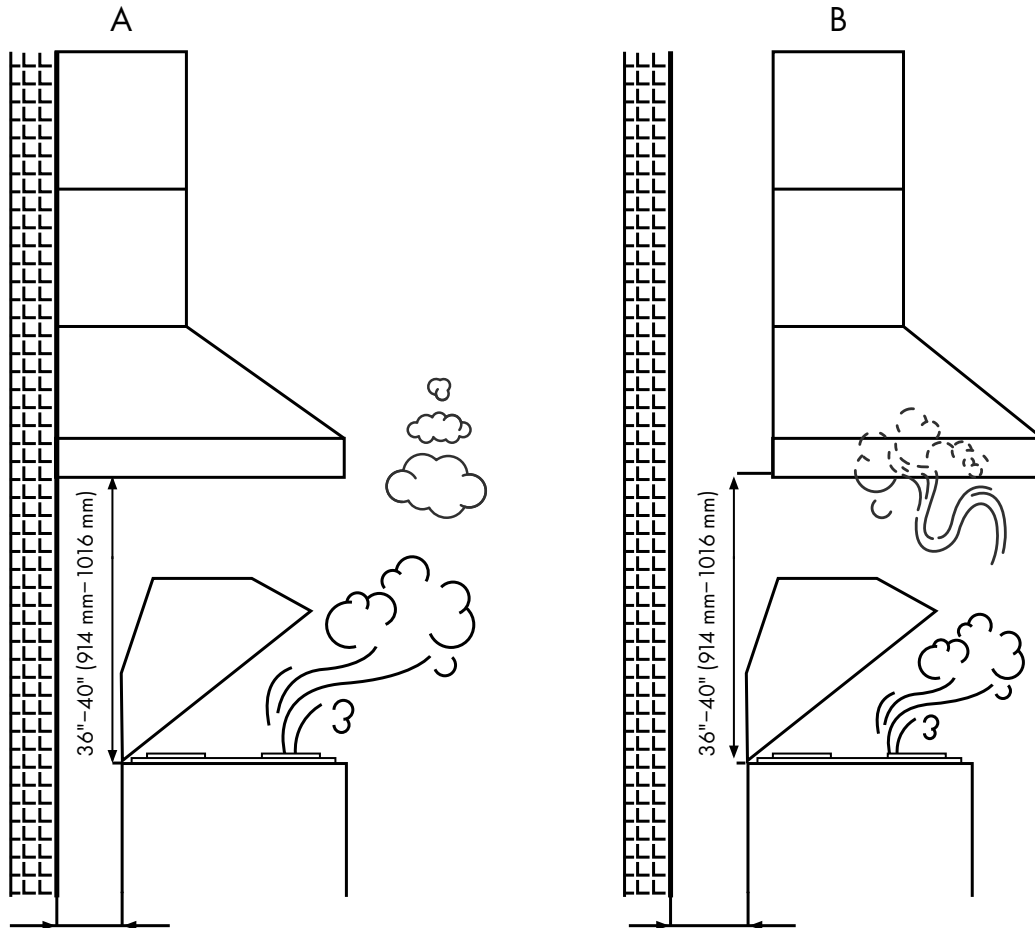


IMPORTANT SAFETY ALERTS

- **NEVER** exhaust air or terminate duct work into spaces between walls, crawl spaces, ceiling, attics or garages. All exhaust must be ducted to the outside.
- Use metal/aluminum duct work only.
- Fasten all connections with sheet metal screws and tape all joints with certified silver tape.
- Use caulking to seal exterior wall or roof opening around the cap.
- **DO NOT** terminate the vent system in an attic or other enclosed area.
- **DO NOT** use 4" (102 mm) laundry-type wall caps.
- **DO NOT** use plastic ventilation.

BEFORE INSTALLATION

SMOKE CAPTURE RECOMMENDATIONS



Smoke and hot air from an outdoor barbecue grill rises quickly, especially as the lid is opened. Not only does the smoke rise fast, but it is usually deflected forward (toward the cook) beyond the grill hood's capture area by the shape and position of the lid itself. Heavy, fast rising smoke is a challenge even for high-performance grill hoods, but there are some things you can do to enhance your outdoor hood's performance.

- Install the hood at the recommended 36"–40" (914 mm–1016 mm) above the cooking surface. If the hood is installed more than the recommended 36"–40" (914 mm–1016 mm) above the cooking surface, its smoke capture ability declines rapidly. See Drawing A.
- Since smoke also expands as it rises, the hood's sides and front edge should extend 3"–6" (76 mm–152 mm) beyond the front and sides of the cooking surface—see Drawing B. In this example, the hood is attached to a built-out section of the wall or to a chase. It is unlikely that smoke rising past the bottom of the grill hood will be captured by the hood. Smoke escaping the hood's capture area will typically remain against the ceiling until it is blown out by natural air currents or until it dissipates.

BEFORE INSTALLATION

- Turn the hood on high 2-3 minutes prior to placing food on a grill or other cooktop below. If there is no wind or wind drafts, an upward flowing air “curtain” will be created by the hood’s suction that moves air up the sides and front of the cooking surface. This upward moving air curtain will help capture much of the smoke.
- Wind and wind drafts will also negatively affect the capture ability of high-performance outdoor grill hoods. If a barbecue grill or outdoor cooktop is located in a consistently windy area, e.g., near oceans, large lakes or on hillside properties, for best grill hood performance, a windbreak may be required
- **NOTE:** Mounting the grill hood lower than 36" (914 mm) and turning it off before the hood has cooled may result in damage to the electrical components. The fans should be turned on before the barbecue and allowed to run for several minutes after the barbecue has been turned off.

BEFORE INSTALLATION

PRODUCT SPECIFICATIONS

Models	GOi, GOU, GOW Series
Power Rating	120 VAC/60 Hz (USA & Canada standard)
Wattage	550 W
Amperes	4.8 A
Levels of Speed Control	4 Levels per Motor
Airflow	2,000 CFM (1,000 x2)
Number of Motors	Dual Motor
Motor Type	Dual Chamber Ultra Quiet
Fan Type	Dual Centrifugal Squirrel Cage
Control Type	Rotary Switch
Filtration Type	Stainless Steel Baffle Filter
Illumination	3 W, 12 V Maximum, Dual Intensity
Venting Size	Top Transition Rectangular to 8" (203 mm) Round (x2)

ISLAND MODELS BEFORE INSTALLATION












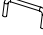

PARTS NEEDED

- Power Drill
- Flat Head/Phillips Screwdrivers
- Drill Bits
- Tape Measure
- Masking Tape
- Pencil/Marker
- Metal or Aluminum HVAC Tape
- Plumb Bob/Laser Level
- Scissors/Box Cutter
- 2x4s or Appropriate Framing Material*

* 2x4s and other additional framing material may be required if installing extra supports, or if ceiling joists are not available in installation location.

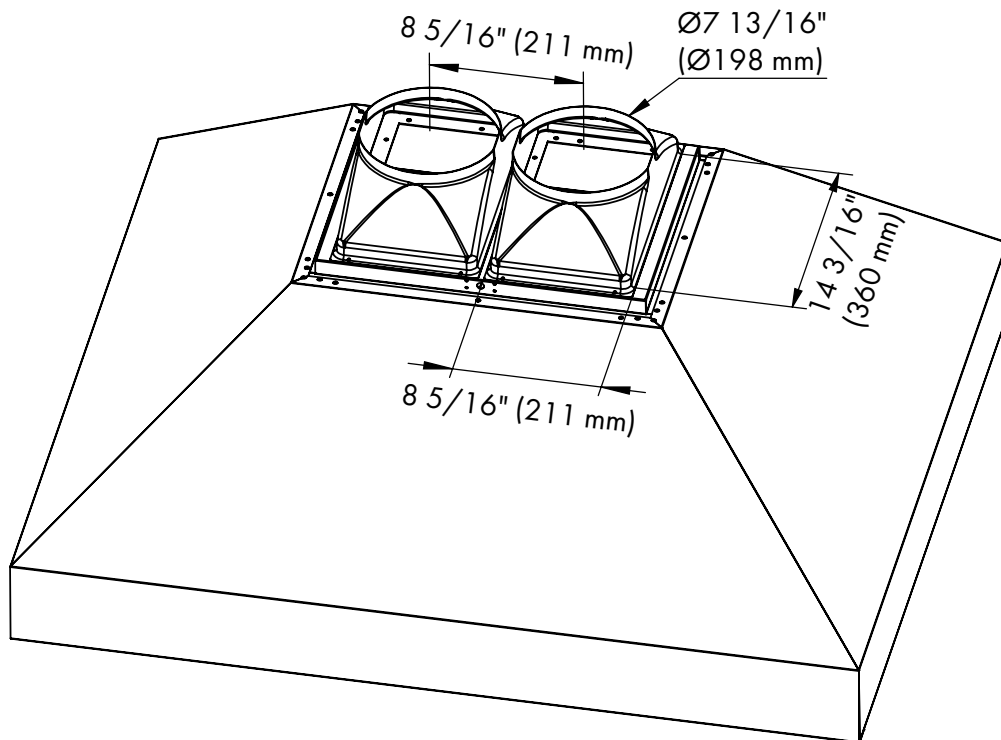
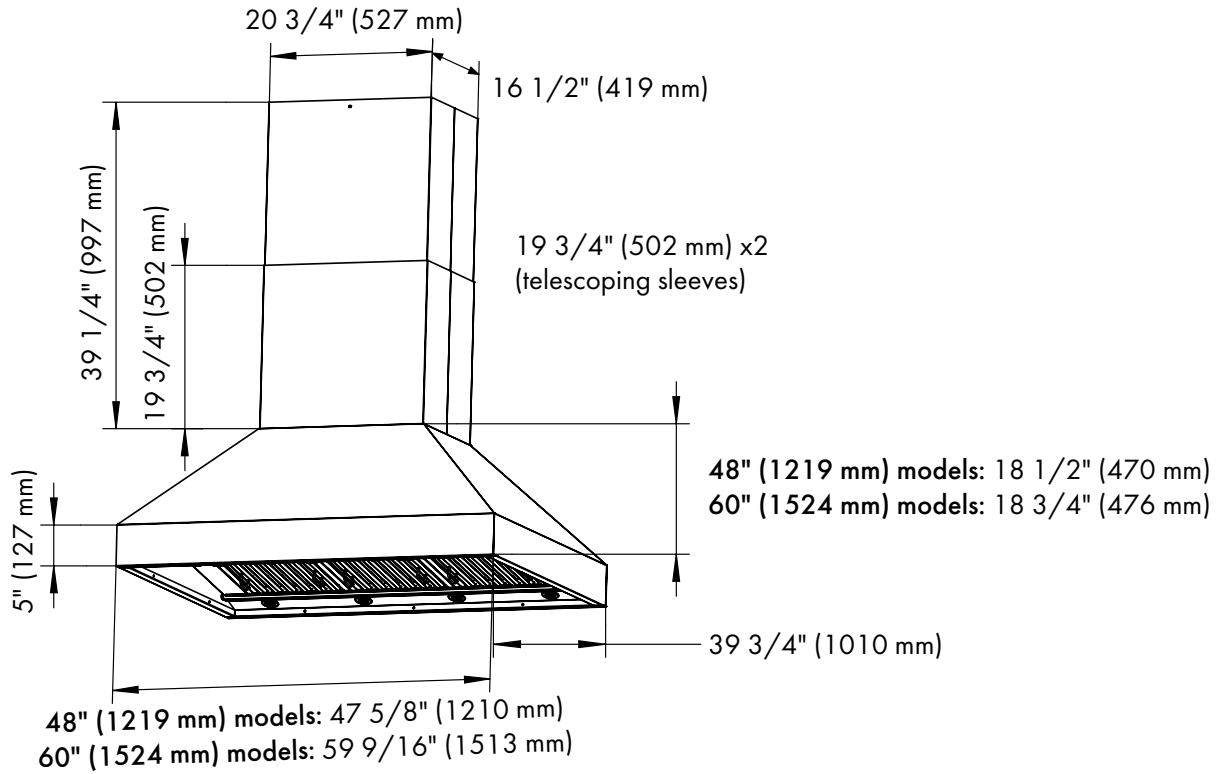
ISLAND MODELS BEFORE INSTALLATION

PARTS SUPPLIED

DESCRIPTION	IMAGE	QTY
Island Grill Hood		1
Two-Piece Chimney		1
Angle Iron Brackets		-
Ceiling Mounting Bracket		-
Flat Head Screws for Chimney 5 x 12 mm		66
Round Hound Screws for Chimney 4 x 8 mm		2
Round Head Screws for Ducting Transition Piece 4 x 12 mm		8
Anchors M6		4
Nuts M5	-	50
Ducting Transition Piece		2
Baffle Filter Spacer		Varies by size
Baffle Filters		Varies by size
Baffle Filter Handles		Varies by size
Baffle Filter Handle Screws	-	Varies by size
Grease Tunnel		2
Power Cord	-	1

ISLAND MODELS BEFORE INSTALLATION

PRODUCT DIMENSIONS



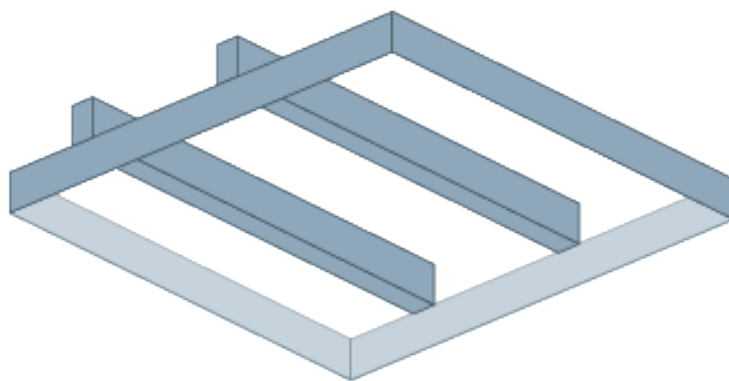
ISLAND MODELS INSTALLATION

PREPARE DUCTWORK

Plan where your ductwork will be located. Install the proper sized ductwork and exterior roof cap, depending on where you will be venting your hood to the exterior. Ductwork should be ready to hook up to the hood before beginning installation. See venting requirements.

First, Draw These Markings on the Installation Area Ceiling:

- Center square of installation area.
- Location of ceiling joists nearest to the installation area (one on each side).

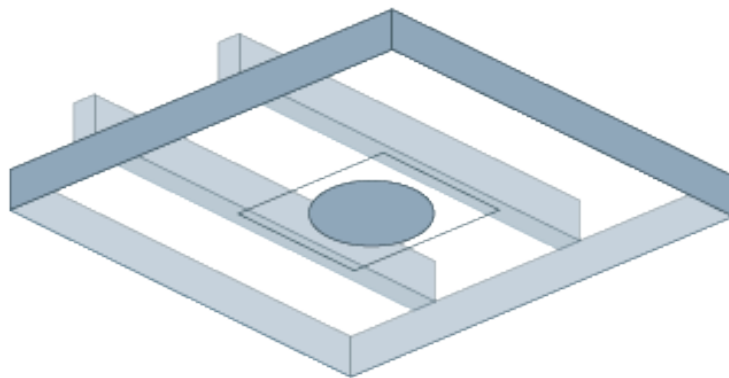


ISLAND MODELS INSTALLATION

STEP 1

Mark Ceiling

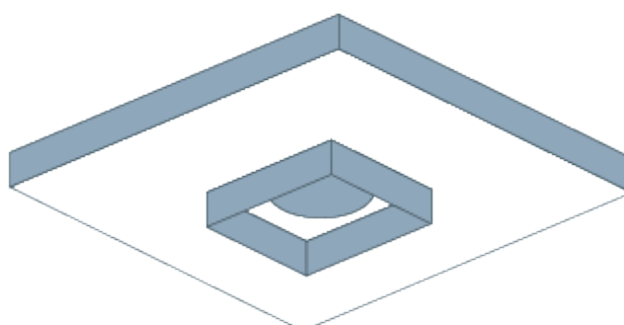
- Find the joists in your ceiling.
- Find and mark the center point directly above your cooktop using a plumb bob or laser level to line them up accurately.
- Place the ceiling bracket on the ceiling around the center point. (Make sure it is square with your cooktop.) Ensure that the bracket intersects the joists in your ceiling. If it doesn't, you must frame supports for securing the ceiling bracket. For best results, consult a building professional.
- Trace the outline of the ceiling bracket onto the ceiling.
- Trace a circle where the ducting will go.
- Mark the 4 corners where you will drill the holes.



STEP 2

Install Ceiling Bracket:

- Drill holes into four ceiling marks from STEP 1. These holes should hit ceiling joists or the added framing.
- Cut out a hole in the ceiling where the ducting will go and finish preparing the ductwork. The hole should be big enough for ducting for both motors.
- Place chimney bracket against ceiling and screw securely into place.
- Drop the ducting and electrical work through the ceiling.

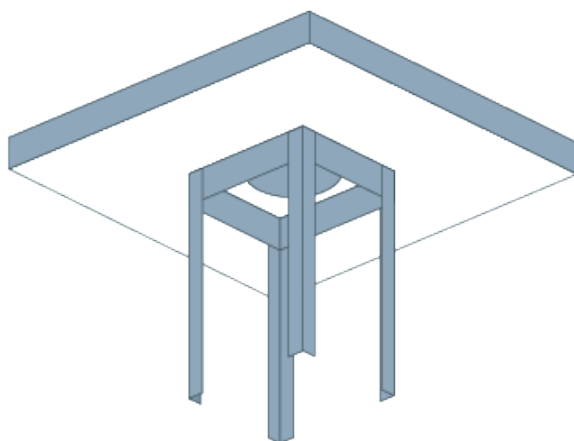


ISLAND MODELS INSTALLATION

STEP 3

Install Support Brackets:

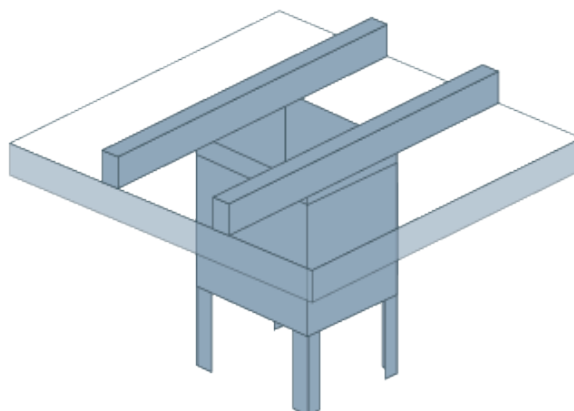
- Place angle iron brackets vertically inside the four corners of the ceiling bracket.
- Extend the brackets to the appropriate length. (The bottom of the hood should be 36"–40"/914 mm–1016 mm above the cooktop).
- Screw all angle iron brackets to the ceiling mounting bracket securing them tight.



STEP 4

Install Chimney

- Slide inner chimney sleeve over angle iron brackets, covering the ceiling bracket.
- Screw into place at the top of ceiling bracket.
- Slide outer chimney sleeve over inner chimney sleeve.
- Adjust until the bottom chimney sleeve is a few inches above the bottom of the angle iron brackets.
- You may want to use masking tape to help hold the chimney in place while you proceed to STEP 5.

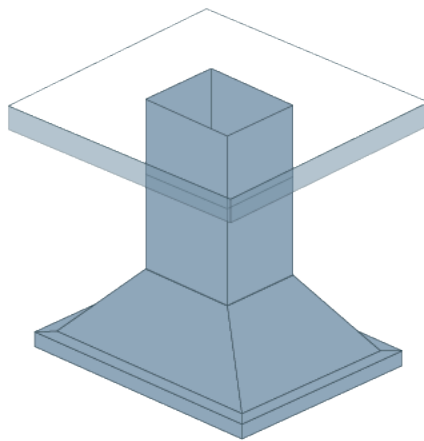


ISLAND MODELS INSTALLATION

STEP 5

Attach Hood

- Secure it to the base of your hood before mounting.
- Place the base of the hood directly under the chimney.
- Screw hood to the angle iron brackets on all four corners.
- Feed electrical and ducting work through chimney.
- Power your hood by plugging it in to a nearby electrical outlet.
- Slide outer chimney sleeve down into place, meeting the top of the hood.
- Screw the base of the chimney to the top of the hood using mounting holes from inside the hood.














Go to pages 31 and 32 for baffle filter and grease tunnel installation.

UNDERCAB MODELS BEFORE INSTALLATION

PARTS NEEDED

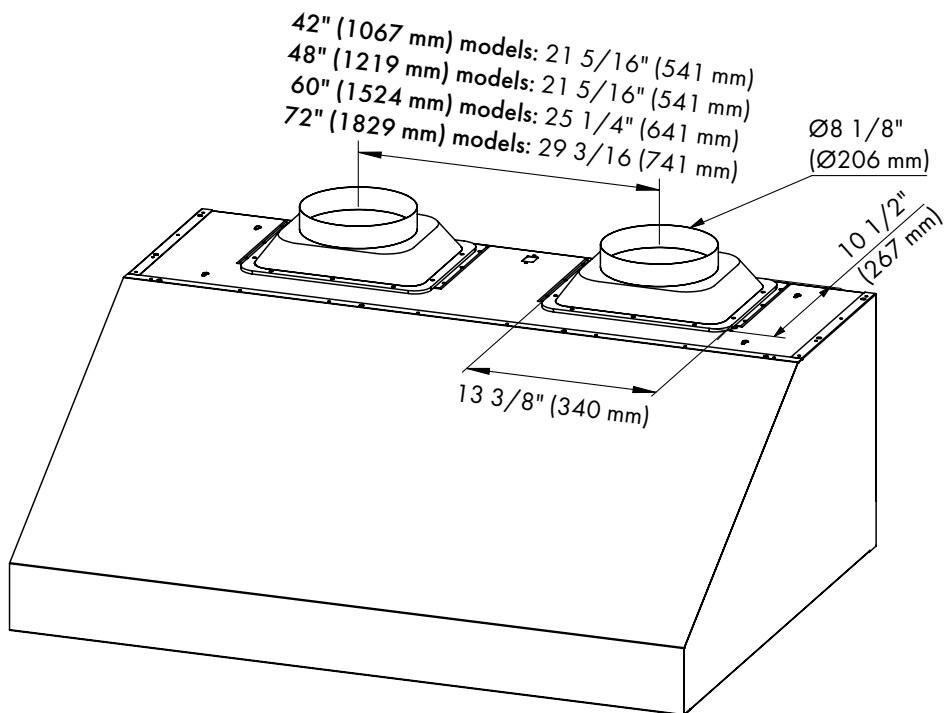
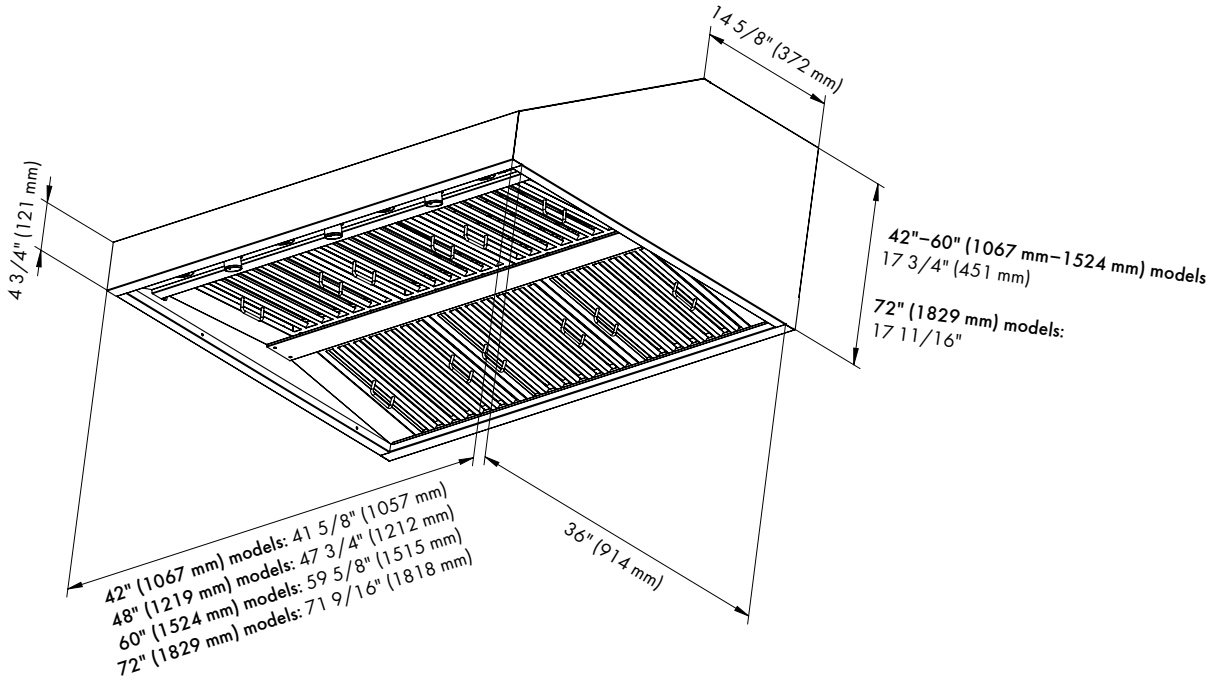
- Pencil/Marker
- Utility Knife
- Tape Measure
- Level
- Powered Drill
- Flat Head/Phillips Screwdrivers

PARTS SUPPLIED

DESCRIPTION	IMAGE	QTY
Undercabinet Grill Hood		1
Wall Mount Bracket Screws 4 x 25 mm		40
Wall Mount Bracket Screws 4 x 12 mm	-	2
Flat Head Screws (optional for single-piece chimney)		8
Round Head Screws for Ducting Transition Piece		20
Ducting Transition Piece		2
Wall Mount Brackets		1
Baffle Filter Spacer		Varies by size
Baffle Filters		Varies by size
Baffle Filter Handles		Varies by size
Baffle Filter Handle Screws	-	Varies by size
Grease Tunnel		2
Foam Adhesive		1
Power Cord	-	1

UNDERCAB MODELS BEFORE INSTALLATION

PRODUCT DIMENSIONS











WALL MODELS BEFORE INSTALLATION

PARTS NEEDED








- Power Drill
- Flat Head/Phillips Screwdrivers
- Drill Bits
- Tape Measure
- Masking Tape
- Pencil/Marker
- Metal or Aluminum HVAC Tape
- Plumb Bob/Laser Level
- Scissors/Box Cutter
- 2x4s or Appropriate Framing Material*

* Hood needs to be installed in secure studs or supports. Wall anchors can be used for additional support and will vary depending on wall material and the weight of the grill hood being installed.

PARTS SUPPLIED

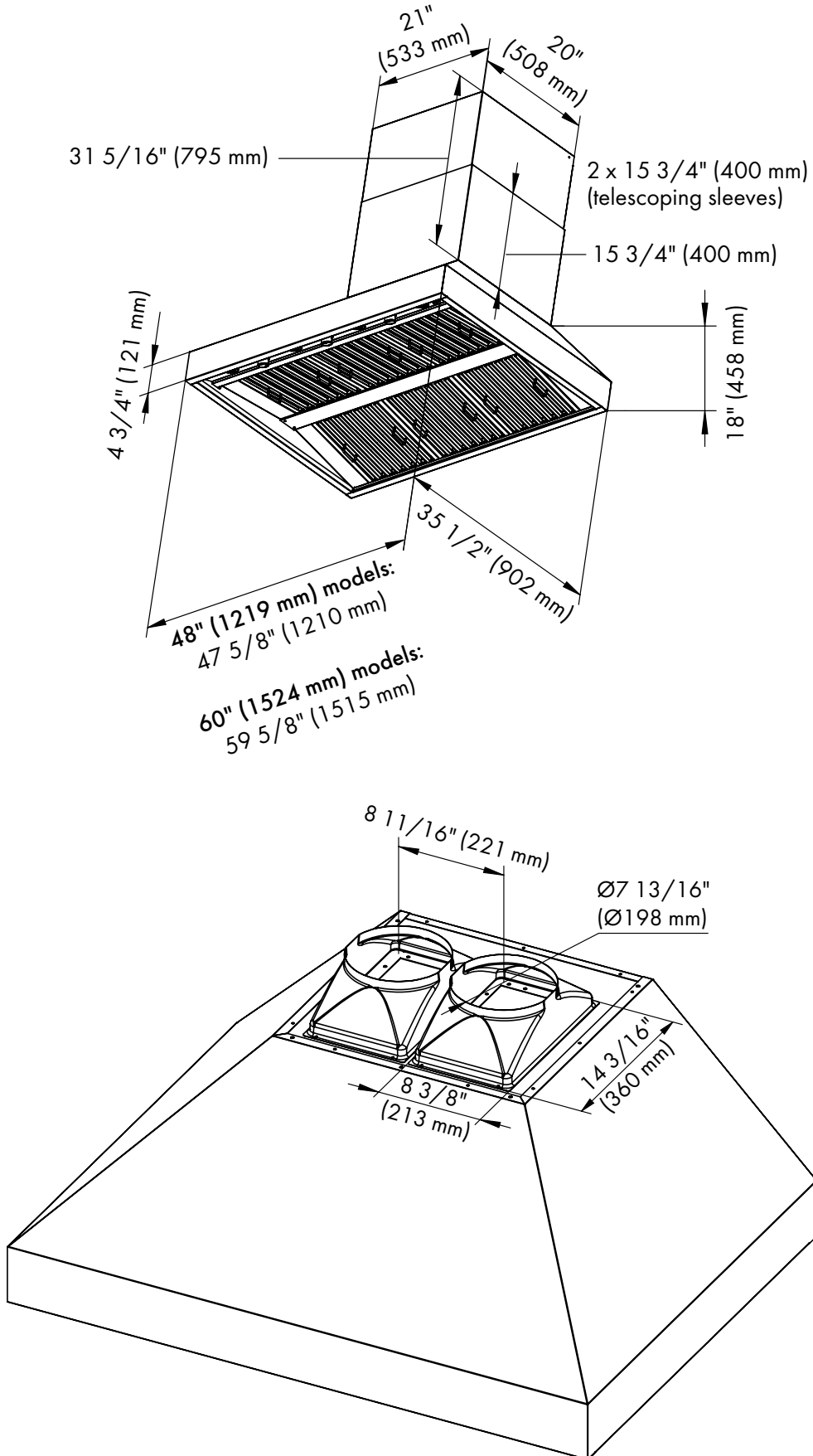
DESCRIPTION	IMAGE	QTY
Wall Grill Hood		1
Two-piece Chimney		1
Chimney Mounting Bracket		1
Wall Mount Bracket Screws 4 x 25 mm		20
Wall Mount Bracket Screws 5 x 12 mm		8
Round Hound Screws for Chimney 4 x 8 mm		2
Round Hound Screws for Chimney 4 x 12 mm		5
Round Head Screws for Ducting Transition Piece 4 x 12 mm		8

WALL MODELS BEFORE INSTALLATION

DESCRIPTION	IMAGE	QTY
Plastic Anchors		2
Ducting Transition Piece		2
Wall Mount Brackets		1
Baffle Filter Spacer		Varies by size
Baffle Filters		Varies by size
Baffle Filter Handles		Varies by size
Baffle Filter Handle Screws	-	Varies by size
Grease Tunnel		2
Power Cord	-	1

WALL MODELS BEFORE INSTALLATION

PRODUCT DIMENSIONS



UNDERCAB & WALL MODELS INSTALLATION

PREPARATION

Remember to plug in and test the hood before installation. When planning for the installation of the hood, please include an opportunity to access the top of the hood when the installation is complete. This is necessary for service and or replacing parts over time as several fasteners will need to be accessed.

Electrical Requirements - The hood comes with a 4' (1219 mm) cord, and will plug into the top of the hood and then into a 110 V GFI-protected outlet that should be wired to a 15-amp breaker.

PREPARE DUCTWORK

Plan where your ductwork will be located. Install the proper sized ductwork and exterior roof or wall cap, depending on where you vent your hood to the exterior. Ductwork should already be punched through the ceiling (or wall if the ceiling is not an option) and ready to hook up to the grill hood before beginning installation. See venting requirements.

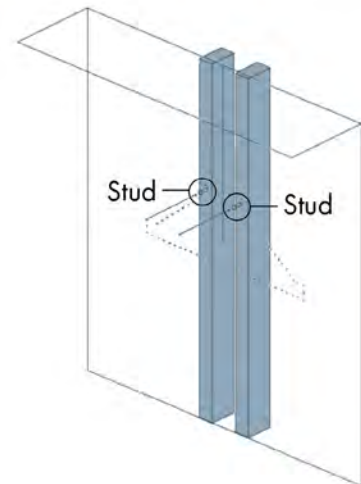
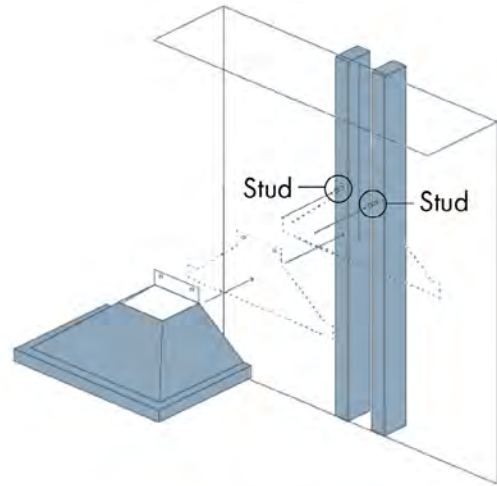
First, Draw These Markings on the Installation Area Wall

- Centerline of the installation area.
- Location of wall studs nearest to the center line. (One on each side)
- Horizontally level line 36"–40" (914 mm–1016 mm) above the cooktop surface.
(Location of the bottom of the grill hood.)

UNDERCAB & WALL MODELS INSTALLATION

STEP 1

- Install the wall bracket at a predetermined location that complies with the height recommendations listed previously. You will find several holes in the bracket allowing the installer to fasten directly to multiple studs in the wall. Secure the wall bracket to the wall studs using the appropriate screws for the material you are mounting to, leaving roughly a 1/4" (6 mm) gap. This gap will be used to hang the hood in STEP 4.
- The mounting bracket **MUST** be thoroughly secured to the wall through the wall studs. Wall anchors can be used for additional support and will vary depending on wall material and the weight of the hood being installed.



UNDERCAB & WALL MODELS INSTALLATION

STEP 2

- Install the wall mount bracket to the hood.
- Match the openings in the wall mount bracket to those on the hood. Use the included flat head screws to tighten the bracket securely to the hood.



- **NOTE:** The top of the bracket will sit higher than the top of the hood, so, for undercab models, you can either use the keyhole cutouts in the hood instead of the bracket, or, if you choose to use the bracket, modification to the cabinets above the hood may be required. Or, if there are no cabinets preset, you can purchase a chimney separately to hide the bracket.

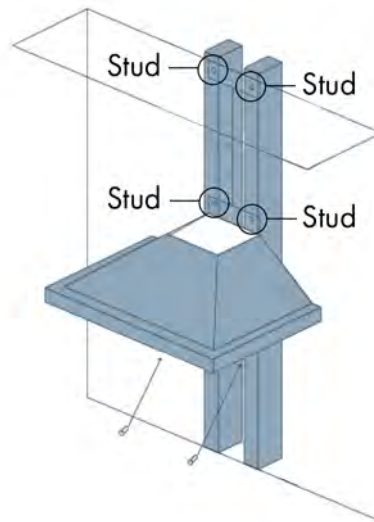


UNDERCAB & WALL MODELS INSTALLATION

STEP 3 - WALL HOOD ONLY

Hang Grill Hood and Connect:

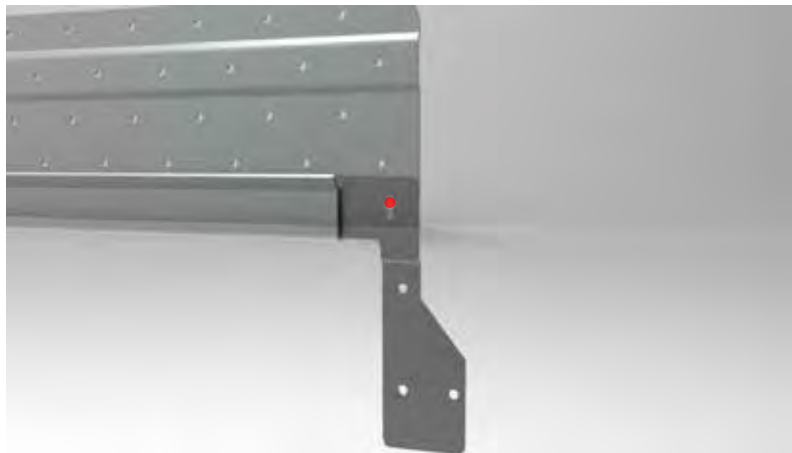
- Place the chimney bracket against the ceiling, matching the center point of the bracket with the center line of the installation area.
- Mark the locations of the bracket holes on the wall and drill the holes where the locations are marked.
- Insert wall anchors in the drilled holes and screw the bracket into place. The chimney will be mounted to the bracket.



UNDERCAB & WALL MODELS INSTALLATION

STEP 4

- Hang the hood on the wall bracket. You will see 2 rectangular openings between the wall mount bracket and the hood itself. These two openings will be installed over and down into the corresponding openings on the wall bracket. Once in place, secure the wall mount bracket to the wall bracket with the appropriate screws for the material you are mounting to.



- Attach the previously installed ductwork to the hood's blowers, taping it in place using duct tape or HVAC tape.
- Power the hood by connecting the three-pronged plug to a nearby electrical outlet.

UNDERCAB & WALL MODELS INSTALLATION

STEP 5 - CHIMNEY/DUCT COVER ONLY

- Remove any protective film coating
- Place the two pieces of chimney on top of the grill hood, making sure the vent in the upper section is toward the top and the upper section slides inside the lower section in a telescoping manner. Undercab chimneys will be 3 pieces (2 sided and 1 middle).
- Attach the top section of the chimney to the mounting bracket, allowing the bottom section of the chimney to rest securely on the top of the hood.
- Screw the base of the chimney to the top of the hood using mounting holes from inside the hood (if there are mounting holes available).
- Not all styles of grill hoods have chimneys (Undercab styles are typically without a chimney unless a duct cover is purchased). Chimneys usually come in two telescoping pieces unless they are custom-cut.

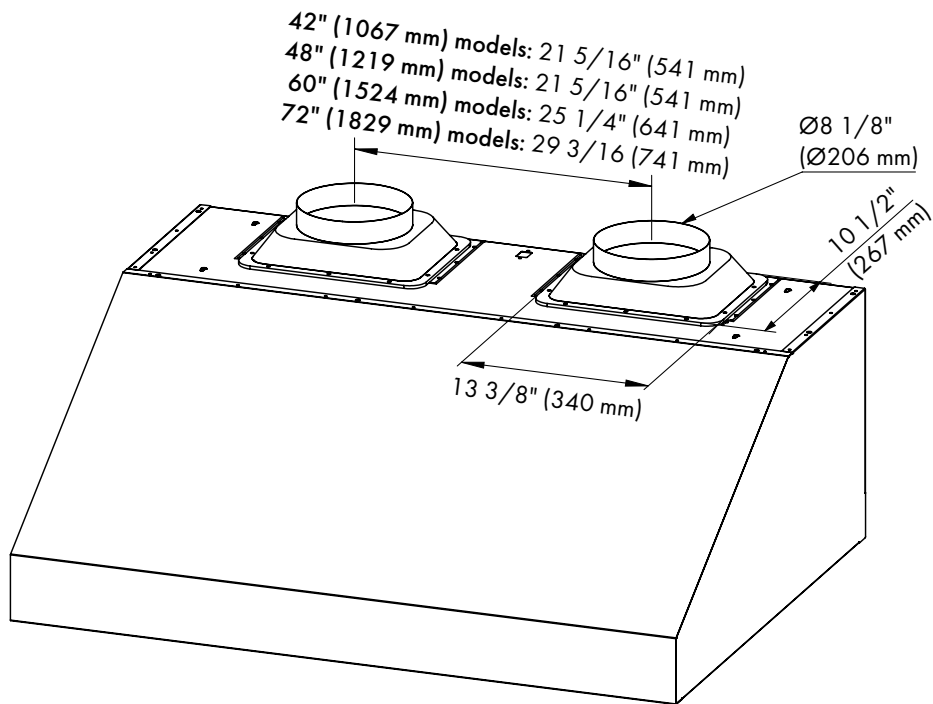
Go to pages 31 and 32 for baffle filter and grease tunnel installation.

UNDERCAB MODELS INSTALLATION

MOTOR ROTATION - GOU MODELS ONLY (OPTIONAL)

GETTING STARTED

The motor position directly from the factory is used when running vertical pipe for your venting. The motors can be rotated to allow for ducting from the rear of the unit if top ducting is not possible.



STEP 1: REMOVE COVER PLATE

There are two sets of screws you will be working with on the cover plate. The smaller screws closest to the edges of the plate hold the plate to the hood itself. The larger screws closer to the center hold the motor to the cover plate. Remove all of the smaller screws holding the cover plate to the hood body.

STEP 2: REMOVE MOTOR SCREWS

Next, remove all of the larger screws that hold the motor to the cover plate leaving the center screw.

STEP 3: DETACH MOTOR FROM PLATE

Holding the center of the motor, remove the final screw, which will free the motor from the cover plate. Lower the motor gently until it comes to resting position.

UNDERCAB MODELS INSTALLATION

STEP 4: ROTATE MOTOR

At this point, the cover piece can be removed and you are ready to rotate the motor to the horizontal discharge position. When lifting the motor out of the housing, tilting the motor down on one side is typically the best method for getting the motor out of the opening. Once out of the hood, simply rotate 180° and place the motor back into the hood. For both the removal and re-installation of the motor, be careful not to pinch the wiring. Allow it to rest at the initial position when you started.

STEP 5: REPLACE THE COVER PLATE

Next, re-install the cover plate with the discharge in the horizontal position. The cover plate can be reattached with the small screws. Re-attach the motor to the cover plate. Start with the center screw, which was the last screw removed when the motor was dis-attached. Once the initial screw is in place, attach the remaining screws to hold the motor onto the cover plate.

STEP 6: ATTACH THE MOTOR

Re-attach the motor to the cover plate. Start with the center screw, which was the last screw removed when the motor was dis-attached. Once the initial screw is in place, attach the remaining screws to hold the motor onto the cover plate.

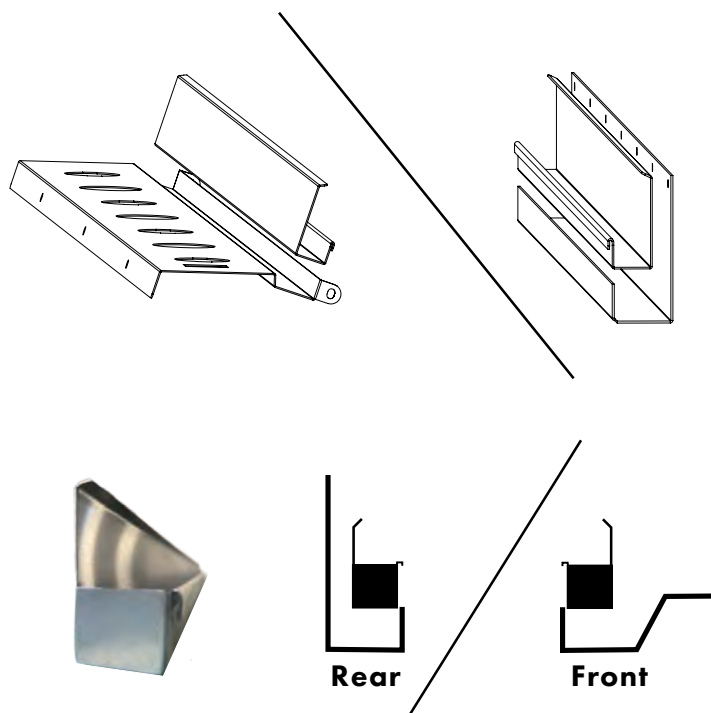
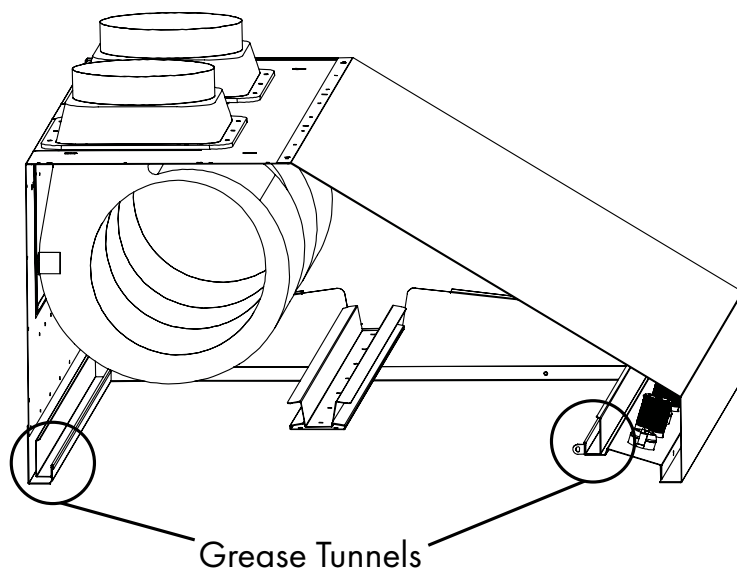
STEP 7: SECURE LOOSE CABLES

You will find some of the connecting cables now lying below the motor. Secure wires above motor and the rotation process is complete. Repeat same process for additional motor.

INSTALLATION

GREASE TUNNEL INSTALLATION

Install the two grease tunnels in the front and back of the unit. When installed, these tunnels will accept the baffle filters on the bottom side. The front grease tunnel will provide a barrier between the filters and the control knob connections. The rear grease tunnels are installed in the rear channel at the back of the unit. **NOTE:** When installing the grease tunnels, place each tunnel in the opening at the front and rear as shown in the drawing. Be sure to have the small front bend hook over the lip of the opening.



INSTALLATION

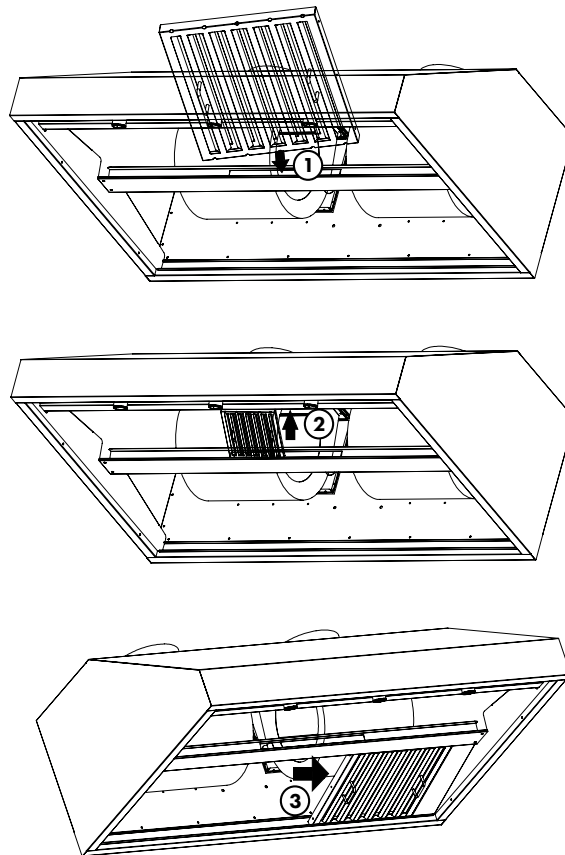
BAFFLE FILTER INSTALLATION



Never work on or clean the hood while power is on. Always unplug the unit or switch the electrical breaker to the off position.

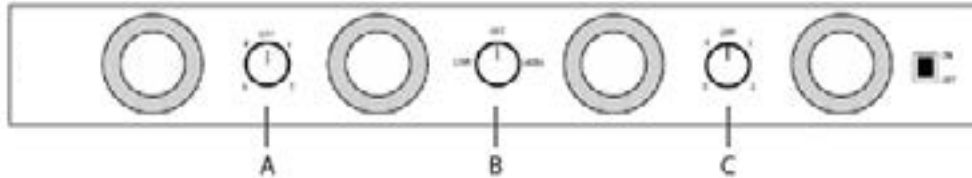
Install all baffle filter handles to the filters using the round head screws. Some filters cover the front section of the hood and some cover the back. There is an equal number of filters in the front and the back. Install the filters leaving the bottom of the filters resting in the previously installed grease tunnels and the tops will lay in the U-shaped channel in the center support. All filters must be installed from the center position, and then moved to the left and right, leaving the center-positioned filter for last.

NOTE: The images below are of an undercab grill hood; the process to remove and install baffle filters is the same for island and wall models.



OPERATION

BUTTON PANEL FUNCTIONS



To power on the hood, flip the switch on the right. Turn on the fan any time that a barbecue or other cooktop below is in use.

- A. **Left fan:** To operate the fan, press in on the left knob. This will allow adjustment of fan speed. Turn the knob counterclockwise for the lowest fan speed and quietest output. Adjust the knob to the desired setting, with 1 being the lowest setting and 4 being the highest, then push the knob back in when finished.
- B. **Lights:** To operate the lights, press in on the center knob. This will allow adjustment of light intensity. Turn the knob counterclockwise for the lowest intensity. Turn the knob clockwise for maximum intensity, then push the knob back in when finished.
- C. **Right fan:** To operate the fan, press in on the right knob. This will allow adjustment of fan speed. Turn the knob counterclockwise for the lowest fan speed and quietest output. Adjust the knob to the desired setting, with 1 being the lowest setting and 4 being the highest, then push the knob back in when finished.

NOTE: It is recommended to set both motors to the same speed.

CLEANING AND MAINTENANCE



Never clean the grill hood while the power is on. Always unplug the unit or switch the electrical breaker to the off position. Do not put your hand or body parts inside the hood's motor while in operation. Do not operate the hood when filters are removed. Never disassemble parts to clean without proper instructions.

- Never put your hand into the grill hood while the unit is operating.
- Fans should be turned on before starting a grill or cooktop below and turned off after appliances are fully turned off. This prevents damage to the hood from high heat.
- Make sure your cooking surface and hood are cool before cleaning.
- Use only the types of cleaning solutions mentioned in this manual.
- Completely dry the filter(s) immediately after cleaning.

CLEANING TIPS

- Over time, saturation of oily and greasy residue in the motor, baffle filters, grease tunnel, or on the underside of the hood itself may cause increased inflammability.
- For optimal operation, clean all of these parts on a consistent basis. Regular care will help preserve the appearance of the hood.
- Clean with a stainless steel cleaner or hot soapy water and a cotton-based cloth. Do NOT use corrosive or abrasive detergents (e.g. Comet Power Scrub® or EZ-Off® oven cleaner) or steel wool/scouring pads, as these will scratch and damage the stainless steel surface. For heavier grease and soil, use a kitchen-safe liquid degreaser such as "Formula 409®" or "Fantastic®" brand cleaner.
- If the hood looks splotchy, use a stainless steel cleaner to clean the surface of the hood. Avoid getting cleaning solution on or into the control panel. Follow directions of the stainless steel cleaner. Do not leave on too long as this may damage the hood finish.
- After cleaning, use a non-abrasive stainless steel polish (such as 3M™ or ZEP™) to polish and buff out the stainless luster and grain. Always scrub lightly with a clean cotton cloth and with the grain.
- Do NOT allow grease or food deposits to accumulate or remain on the hood.
- Do NOT allow salt solutions, disinfectants, bleaches, or cleaning compounds to contact stainless steel for extended periods. Many of these compounds contain chemicals that may be harmful. Rinse with water after exposure and wipe dry with a clean cloth.
- Do NOT leak cleaning solution onto or into the control panel

CLEANING AND MAINTENANCE

CLEANING BAFFLE FILTERS

- All ZLINE hoods come with stainless steel baffle filters. They should be inspected for grease accumulation periodically. The baffle filters can be washed in a dishwasher or in a sink with hot, soapy water. Simple periodic cleaning will ensure maximum filter effectiveness.
- When cleaning the oil tunnel and stainless steel baffle filters, it's important to drain excess oil and grease to avoid oil and residue overflow.
- Stainless steel baffle filters are intended to filter out residue and grease from cooking. They do not need to be replaced on a regular basis but are required to be kept clean.
- Filters should be cleaned after every 30 hours of use. Remove and clean by hand, or you can clean in a dishwasher, as the baffle filters are dishwasher-safe.
- Use an appropriate degreasing detergent for stainless steel and leave the filters to soak for an extended period if they are heavily soiled. Use a dry cloth to completely dry the filters before re-installing them on the hood.
- When cleaning filters, always remove the grease tunnels and clean with hot soapy water. Both the filters and the channels are dishwasher safe. Dry thoroughly before installing.

TROUBLESHOOTING

ISSUE	SOLUTION
No response (control panel not responding, blower not working)	Turn on power at circuit breaker panel or fuse box. Check for tripped breaker or blown fuse under the black plastic cover on the rear of the hood.
	Make sure hood power cable is plugged in and powered.
Lights not turning on	See "No response" above.
	Swap out lights to determine if bulbs are defective.
	Check the wiring on the lights to ensure a secure connection/no loose wires.
Grill hood vibrates when blower is on	Make sure the grill hood has been secured properly to the ceiling or wall.
	Ensure the venting system is correct. Back-pressure caused by incorrect venting not only leads to poor performance, but can also create vibrations at the hood.
	Ensure the two nuts (one on each side) on the blower motor's axle are properly affixed. These are accessible by removing the safety covers on each side.
Blower system seems weak	Increase the fan speed, ensure that it is at a high enough setting.
	Make sure the ducting is sized and run correctly. Grill hoods will not function efficiently with insufficient duct size (i.e., 9"/229 mm duct over 8"/203 mm hole).
	Check to see if duct is clogged.
	Ensure the correct vent termination cap is used with whose CFM rating matches that of each motor.

TROUBLESHOOTING

ISSUE	SOLUTION
Air not venting out properly	Make sure there is at least 36" (914 mm) between the top of the cooking surface and the bottom of the hood.
	Reduce the number of elbows and length of duct work. Check to ensure all joints are properly connected, sealed, and taped.
	Make sure power is on high speed for heavy cooking.
	Reference "Blower system seems weak" on the previous page.



WARNING

If a problem cannot be resolved after following the instructions in this manual, please contact ZLINE Customer Service at 1-614-777-5004. Never attempt to repair or disassemble a faulty hood. Always consult a professional.

WARRANTY

COVERAGE

ZLINE Kitchen and Bath ("ZLINE") grill hood parts will be warranted for three years from the original date of product delivery for the original purchaser of the product.

ZLINE warranty periods begin from the original date of product delivery and solely cover the original purchaser of the product, delivered new and in its original carton. ZLINE will provide free-of-charge, non-consumable replacement parts for the components that failed due to manufacturing defects.

Additionally, range hoods and grill hoods purchased on or after January 2017 carry a lifetime warranty on the motor. It is the responsibility of the customer to install all replacement parts and motors, as ZLINE does not perform service repairs on its range/grill hood products.

ZLINE's liability is limited to the original purchase price of the product. Additional injuries, losses, damages, or other inconveniences caused by product malfunction or defects in materials are not covered under the terms of this warranty.

TERMS

ZLINE warranties apply only to the original purchaser of a ZLINE product installed for normal residential use. This is defined as a single-family, residential dwelling in a non-commercial setting. Any warranty claim stemming from installation, operation, or any other use within a commercial setting is not covered under this limited warranty. Commercial settings include, but are not limited to: schools, churches, hotels, restaurants, vacation rentals such as Airbnb, daycare centers, private clubs, fire stations, common areas in multi-family dwellings, nursing homes, food service locations, and institutional food service locations such as hospitals or correctional facilities.

This warranty is non-transferable and will not under any circumstance be extended based on the date of installation — the warranty period takes effect from the date of delivery and only covers the original purchaser. The warranty applies only to products installed in the contiguous United States and the District of Columbia.

WARRANTY

Out-of-pocket payments will not be reimbursed for replacement parts unless prior approval is received from ZLINE. Unapproved out-of-pocket payments for parts will not be reimbursed. Out-of-pockets for any type of service will not be reimbursed, as ZLINE does not perform service repairs on its range hood or grill hood products. All warranty procedures must be followed to maintain warranty coverage.

If ZLINE is unable to replace the defective part after a reasonable number of attempts, ZLINE reserves the right to offer to replace the product or provide the original purchaser a full refund of the purchase price of the product (not including installation, removal, or other charges that were not included in the original purchase price).

The original purchaser of the product must provide the original proof of purchase, including the purchase date, when filing a claim to obtain replacement parts or refunds. Additionally, the original purchaser of the product must provide the serial number of the product when filing a claim to obtain replacement parts or refunds.

This warranty shall not apply to any ZLINE product in which the original factory serial number has been removed, altered, or cannot be readily determined for any reason. Further, ZLINE is not responsible for damage resulting from, but not limited to: shipment, delivery, or improper installation; negligence or improper maintenance, misuse, or abuse of the product; unauthorized alteration, modification, or tampering with the product; accident, fire, floods, pest infestations, pandemics, natural disasters, or any other unpreventable or unexplained acts of nature, commonly referred to as "acts of God"; flare-up fires or damages caused by improper electric supply, electrical line current, voltage, or power surges; and service to correct installation not in accordance with the instructions contained in ZLINE's product manuals and/or with local government codes.

Additionally, this warranty does not apply to aesthetic damage, scratches, or natural wear caused by normal use; second-hand, open box products, or products purchased from an unauthorized retailer; consumable parts including, but not limited to, metal and charcoal filters; and damages, problems, or any type of performance-related issues stemming from alteration or tampering with the hood, including, but not limited to, painting stainless steel, black stainless, Satin Stainless Steel, or designer- or wood-finished hoods, and manipulating the electrical wiring beyond what is described in this manual.

WARRANTY

Information contained within ZLINE's installation and user manuals, in addition to product information included on ZLINE's website and all related digital listings, do not cover every possible condition and situation that may occur during the installation or operation of ZLINE products.

ZLINE reserves the right to make changes at any time to its products when considered safe, necessary, and useful. Always check the ZLINE website for the most up-to-date version of its product manuals: www.zlinekitchen.com/pages/manuals.

Do not install or operate any ZLINE product if it has missing or broken parts or if it arrives damaged due to shipping. If ZLINE products arrive damaged, contact ZLINE Customer Experience at 1-614-777-5004 for help. Failure to report a damaged appliance prior to installation or operation may void the warranty. ZLINE does not perform service repairs on its range hood or grill hood products.

ZLINE disclaims responsibility for damage or injury caused by improper installation or use of any of its products. ZLINE is under no obligation, by law or otherwise, to provide concessions, including repairs, prorates, rebates, discounts, or replacements, once the warranty has expired.

SERIAL NUMBER LOCATION



The rating tag shows the model and serial number of your hood. Please write down the model number and serial number of your appliance. The rating label is located behind the baffle filters on the motor. Both are needed to obtain warranty service. Do not remove permanently affixed labels, warnings, or plates from the product. This will void the warranty. You may also consider attaching your receipt or proof of purchase to this manual.

WARRANTY

CUSTOMER SERVICE AND PARTS INFORMATION



Please contact ZLINE Customer Service for questions and troubleshooting help at 1-614-777-5004 or visit www.zlinekitchen.com/contact to utilize our online Customer Experience Portal.



Scan the QR code to view the most up-to-date version of ZLINE's range/grill hood Installation and User Manuals.



Need to purchase a part or accessory for your ZLINE product? Visit www.zlineparts.com, ZLINE's official parts distribution partner.

1.1.5

zlinekitchen.com

1-614-777-5004

contact@zlinekitchen.com

ZLINE
ATTAINABLE LUXURY®