



18.3 Cu. Ft. Top Freezer Refrigerator

Top Freezer Refrigerator

Available Products: GRE1834VB, GRE1834VS, GRE1834VW

Available Colors: Black, Stainless Steel, White

GRTE1834VW - B - S

Product Specifications

Refrigerator

Air Filter Ready	Yes
Crisper Color	Clear
Deli Drawer	Yes
Door Bin Color	White
Humidity Controls	Automatic
Interior Lighting	LED
Shelf Material	Glass
Number of Fixed Gallon Door Bins	2
Number of Adjustable Shelves	2
Number of Crispers	2

Ice Maker

Ice Maker	No
Ice Maker Ready	Yes

Exterior

Door Swing	Reversible
------------	------------

Electrical Specifications

Minimum Circuit Required	15 Amps
--------------------------	---------

Certifications and Approvals

ADA Compliant	Yes
---------------	-----

Safety Certifications and Approvals

UL Listed	Yes
-----------	-----

Freezer

Automatic Defrost	Yes
Baskets / Bins Color	White
Shelf Material	Glass
Number of Fixed Door Bins	2
Number of Adjustable Shelves	1

Controls

Digital Display	No
-----------------	----

Dimensions and Volume

Height With Hinge	66 3/8"
Height Without Hinge	65 7/8"
Width	30"
Width of Cabinet	30"
Depth of Cabinet	26 5/8"
Depth With Door	30 3/8"
Depth With Door 90° Open	57"
Depth With Door and Handle	30 3/8"
Freezer Capacity	4.9 Cu. Ft.
Fresh Food Capacity	13.4 Cu. Ft.
Total Capacity	18.3 Cu. Ft.

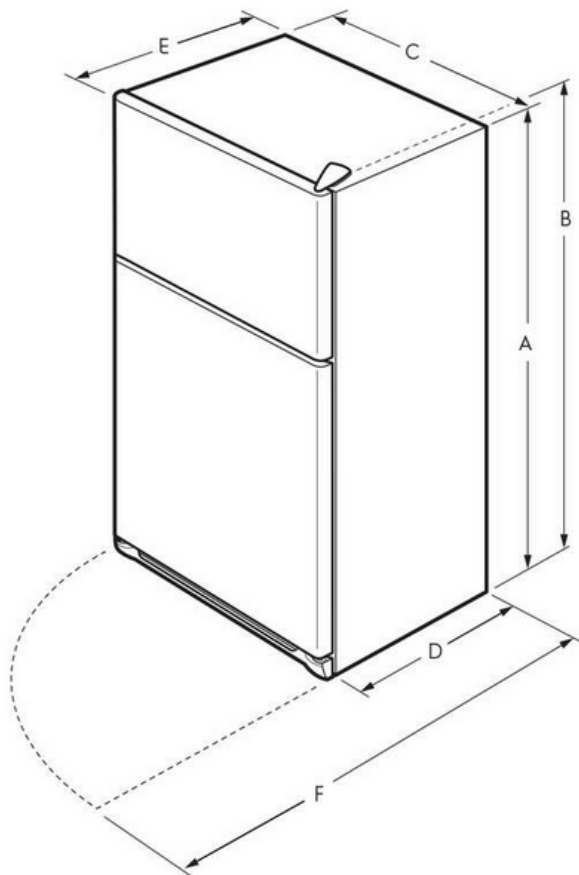
General Specifications

Annual Energy	410 kWh
Refrigerant Type	R-600A
Warranty - Labor	1 Year
Warranty - Parts	1 Year

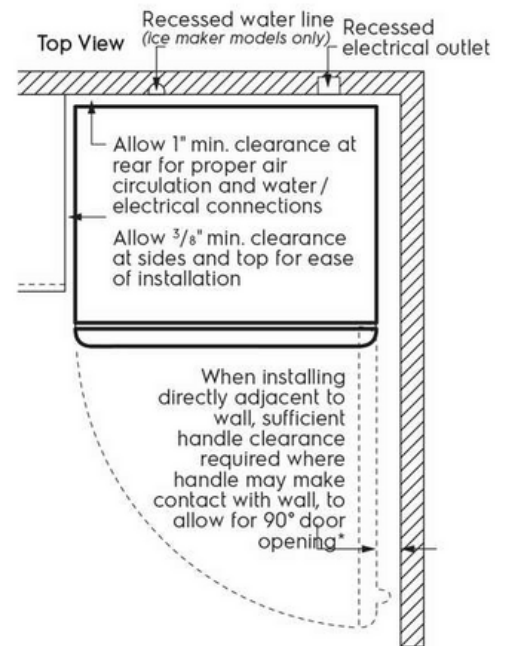
Performance Certifications and Approvals

ENERGY STAR Certified	No
-----------------------	----

Installation Diagram



A	65 ⁷ / ₈ "
B	66 ³ / ₈ "
C	30"
D	26 ⁵ / ₈ "
E	30 ³ / ₈ "
F	57"



* When installing refrigerator adjacent to wall, cabinet or other appliance that extends beyond front edge of unit, 20" minimum clearance recommended to allow for optimum 140° door swing, providing complete crisper access and removal. (Absolute 3" minimum clearance will ONLY allow for 90° door swing which will provide limited crisper access with restricted removal.)