

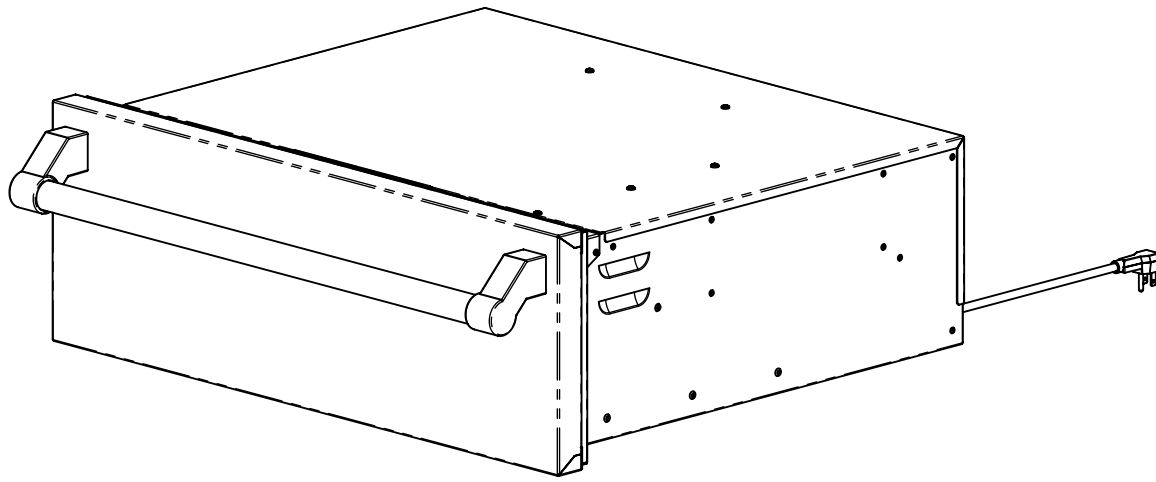


Outdoor Warming Drawer

GWD30 / GWD30-XX / GWD30-OV
Parts List

Hestan Commercial Corporation
3375 E. La Palma Ave.
Anaheim, CA 92806
(888) 905-7463

RETAIN THIS FOR FUTURE REFERENCE



; K 8 ' \$!LL'G<CKB

Color Code (-XX)	Description
	Stainless Steel
-BK	Stealth - Black
-WH	Froth - White
-RD	Matador - Red
-YW	Sol - Yellow
-OR	Citra - Orange
-BG	Tin Roof - Burgundy
-PP	Lush - Purple
-BU	Prince - Blue
-GR	Grove - Green
-GG	Pacific Fog - Graphite Gray
-TQ	Bora Bora - Turquoise
-PK	Reef - Pink
-DB	Orion - Dark Blue

HESTAN

DFCDF-9H5FM
P U A I O E V A U Z A P Q A Q U O M T C E V I T C E A O O U O U O M C O O S
U V U U O O P A B U O U O X G S A Y V O T B U A U S P U T O V C O O A
C E Y A U T B Y Q P U W A P O A U Q V C A O U T Q U S P A U A
P * * A Q I (/ S A A Q I) () B P Q A O U M T C E V A U A B Y
O U U B U A P G S S C A U O W U P O A W U T A Y U Q V C A O U V O U V E

G9FJ=9ZK5FA-B; '8F5K9F'f' K 8' \$/ ' ; K 8' \$!LL/ ; K 8' \$!CJL

; K 8' \$!LL!G9FJ=9

5
UPOOV/UE

OUTDOOR WARMING DRAWER PARTS LIST

GWD30 / GWD30-XX / GWD30-OV

Sept. 8, 2021

BALLOON #	HESTAN P/N	DESCRIPTION	GWD30 /	GWD30-OV
			GWD30-XX	
			QTY	QTY
1	033133	COVER, OUTER, WARMING DRAWER, 30	1	1
2	032424	BAFFLE, WARMING DRAWER, 30	1	1
3	033293	INSULATION, REAR, OUTDOOR WARMING DRAWER	1	1
4	033011	FAN, CONVECTION, OUTDOOR WARMING DRAWER	1	1
4.1	035025	SERVICE, FAN BLADE, CONVECTION, OUTDOOR WARMING DRAWER	1	1
5	032951	ELEMENT, CONVECTION, 120V 914W, OUTDOOR WARMING DRAWER	1	1
6	016512	TRANSFORMER, 40VA, 120VAC TO 12/24V	1	1
7	033099	SWITCH, H-LIMIT, NC, 257 DEG. F	1	1
8	019868	CORD, POWER, 4 FT, 3/14 AWG, SJTW	1	1
9	005862	STRAIN RELIEF, SNAP-IN, 3/4" KNOCKOUT	1	1
10	033454	HARNESS, WIRE, OUTDOOR WARMING DRAWER	1	1
11	017916	ASSY, LAMP, HALOGEN, 12V 20W, 65 X 80 mm	1	1
11.1	018142	SERVICE, BULB, HALOGEN, G4 BI-PIN, 20W, PKG 2	1	1
12	033078	PROBE, NTC THERMISTOR, 10kOhm, OUTDOOR WARMING DRAWER	1	1
13	033461	SWITCH, PLUNGER, N.C., WARMING DRAWER	1	1
14	032492	OVERLAY, CONTROL, WARMING DRAWER	1	1
15	032268	CONTROL, DIGITAL, WARMING DRAWER	1	1
16	034815	SHIELD, HEAT, CASE, OUTDOOR WARMING DRAWER	1	1
17	034865	INSULATION, CONTROL CASE, OUTDOOR WARMING DRAWER	1	1
18	018393	SNAP BUSHING, 1.06" MAX ID, BLACK	1	1
19	033468	MAT, SILICONE RUBBER, WARMING DRAWER, 30	1	1
20	033205	SLIDES, PAIR, FULL-EXT., 18, SOFT-CLOSE, KING (PAIR)	1	1
21	011857	SERVICE, MS, 8-32 X .375, PH, PAN, SS, PKG 6	2	2
22	034983	SERVICE, SMS, #4 X .25, PH, PAN, TYPE A, SS, PKG 4	1	1
23	034984	SERVICE, NUT, NYLOK, #8-32, SS, PKG 4	2	2
24	034970	SERVICE, WOODSCREW, #6-18 X .750, PH, FLT, SS; PKG. 4	1	1
*25	*034985-XX	SERVICE, SUB-ASSY., DRAWER CARRIAGE W/ SLIDES, GWD30, COLOR	1	-
	035028	SERVICE, SUB-ASSY., DRAWER CARRIAGE W/ SLIDES, GWD30-OV	-	1
*25.1	032253-XX	DRAWER FRONT, OUTDOOR WARMING DRAWER, 30 (COLOR)	1	-
25.2	033466	FRAME, WOOD OVERLAY, OUTDOOR WARMING DRAWER, GWD30-OV	-	1
25.3	010197	SERVICE, BUMPER, RUBBER, .50 DIAM. X .250 H, PKG 4	1	1
25.4	003052	THUMB SCREW, KNURLED, #10-24 X 3/8, SS	1	1
25.5	008187	WSH, FLAT, #10 (.438 X .203 X .094), NYLON	1	1
25.6	033482	LIGHT PIPE, .171 DIAM. X 2.00L, WARMING DRAWER	1	1
25.7	033483	RETAINER, LIGHT PIPE, WARMING DRAWER	1	1
25.8	032341	GASKET, DRAWER BOX, WARMING DRAWER, 30	1	1
25.9	000463	ENDCAP, HANDLE, LH, SM	1	-
25.10	000704	ENDCAP, HANDLE, RH, SM	1	-
25.11	020670	HANDLE, WALL OVEN/WARMING DRAWER	1	-
25.12	011710	SERVICE, MS, 8-32 X .50, PH, PAN, SS, PKG 12	1	-
25.13	011857	SERVICE, MS, 8-32 X .375, PH, PAN, SS, PKG 6	2	2
26	034816	MANUAL, INSTALL / USE & CARE, OUTDOOR WARMING DRAWER	1	1

* FOR COLORED PANEL, SPECIFY COLOR CODE WHEN ORDERING (CHECK YOUR S/N)



DFCDF-9H5FM
 PUAJCEVAZAPQAUOWTCEVTCBACAAUOUUOAWOOCB
 UNUUCOFAABUOUBXGSEVYUOTBUUUAUBUTQVCOBA
 CB-YAUUTBYQPUIWAPQAUOQVCOAUOTQUBPABUA
 P**AQI((S&S&S)) (S&S) BVPQAUOWTCEVAUUAU
 OUBUAPBSSCOUWVUPCONUUPXUQVCOAUOUUUE

0000000000

G9FJ=9ZK5FA-B; '8F5K9F'f' K 8' \$/ ' ; K 8' \$!LL/ ; K 8' \$!CJL

0000000000

; K 8' \$!LL!G9FJ=9

0000000000

5
 UPOON/UE
 GAUAG