



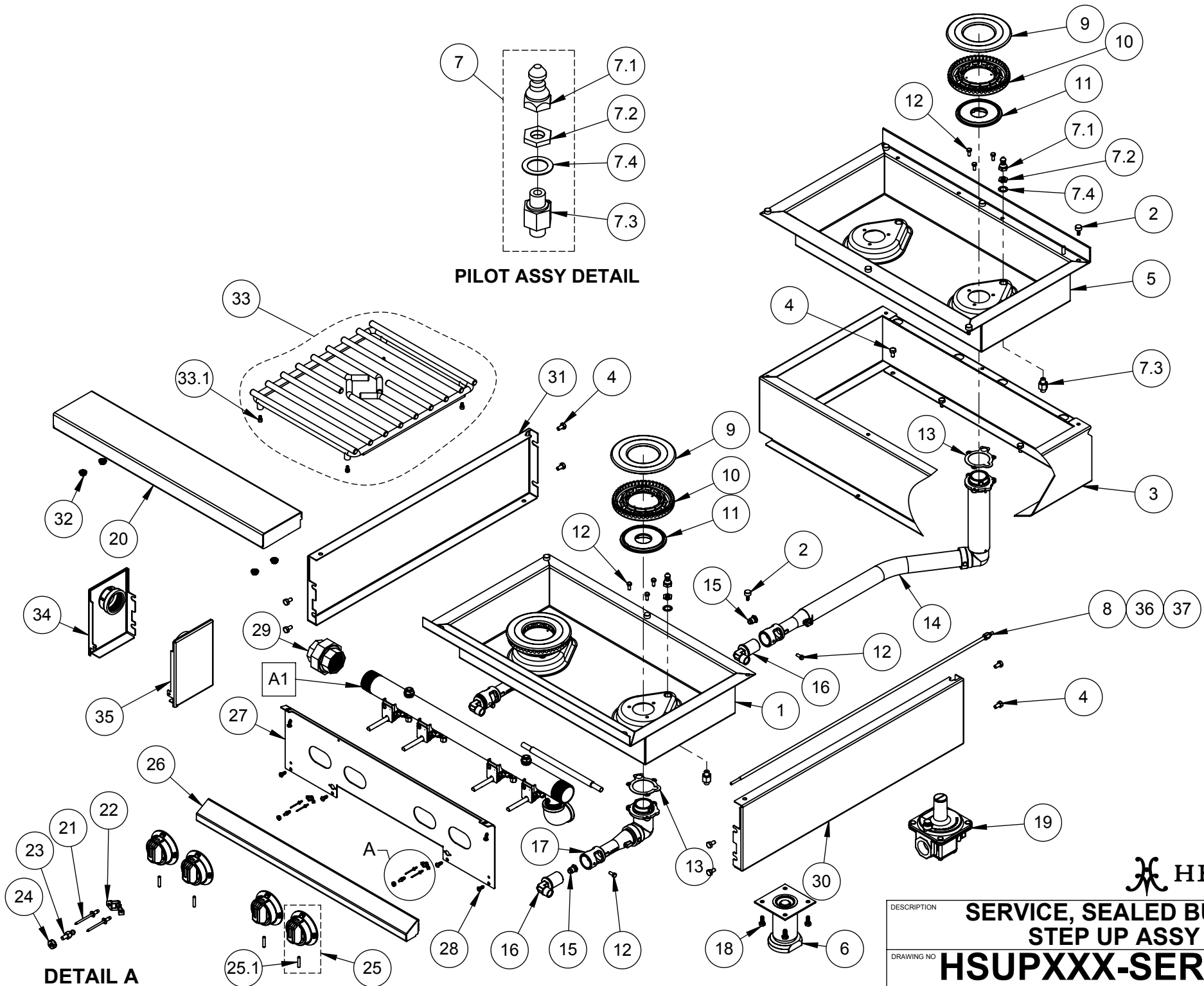
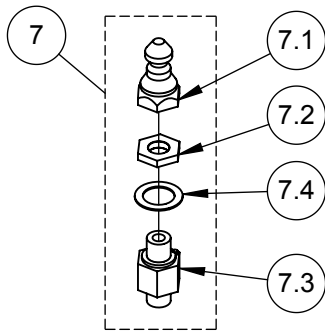
Commercial Service Parts

SEALED BURNER (HSUP)

Hestan Commercial Corporation
3375 E. La Palma Ave.
Anaheim, CA 92806
(888) 905-7463

RETAIN THIS FOR FUTURE REFERENCE

Revised: May 15, 2020
Rev. B



DETAIL A

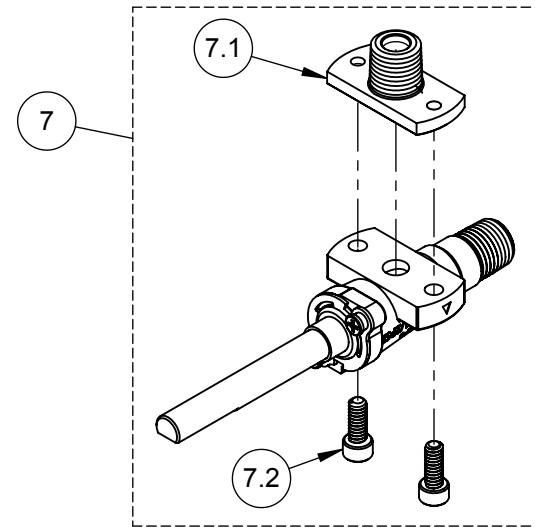
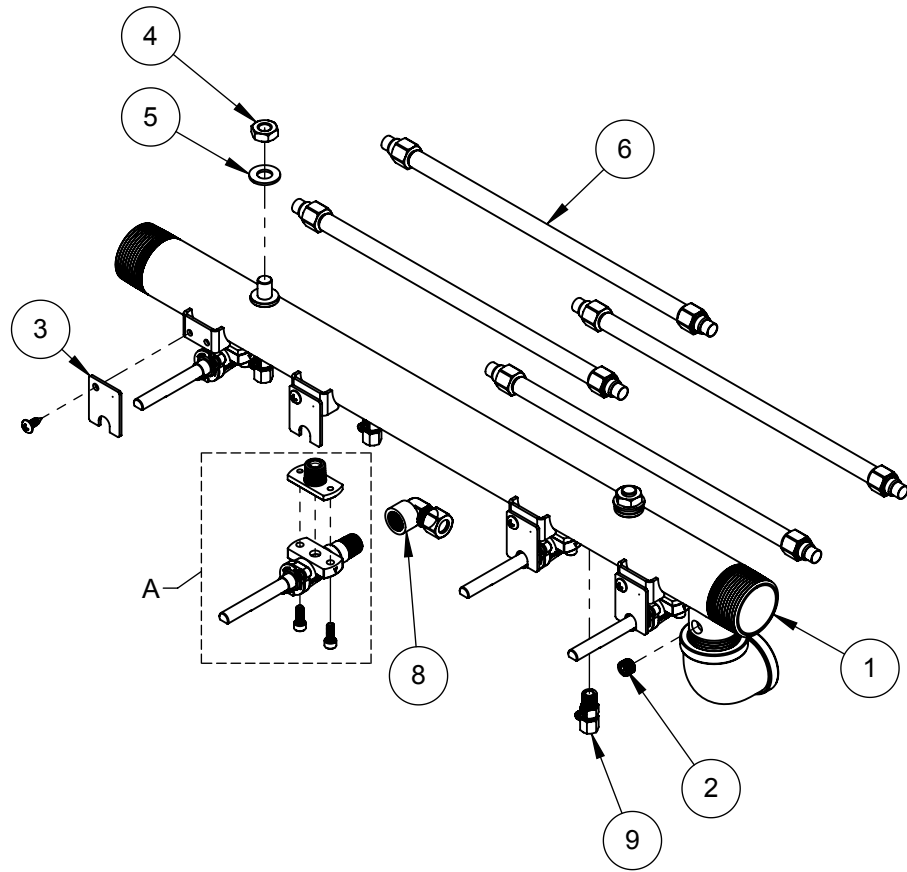
HESTAN

DESCRIPTION **SERVICE, SEALED BURNER,
STEP UP ASSY - PILOT**
DRAWING NO. **HSUPXXX-SERVICE**

STEP UP SEALED BURNER (PILOT) - SERVICE PARTS LIST

Item No.	Part No.	DESCRIPTION	HSUP244	HSUP366
			QTY	QTY
1	011952	BOWL, SEALED BURNER, HALF, FRONT, SF, 242, WA	1	-
	007475	BOWL, SEALED BURNER, HALF, FRONT, SF, 363, WA	-	1
2	014376	SERVICE, SCREW COVER, SEALED BURNER, PKG 6	2	2
3	013919	BOX, STEP UP, 24, WA	1	-
	009061	BOX, STEP UP, 36, WA	-	1
4	013303	SERVICE, HB, 1/4-20 X .50, ZN, PKG. 8	2	2
5	013927	BOWL, SEALED BURNER, HALF, REAR, SF, 244, WELD PIN, WA	1	-
	013895	BOWL, SEALED BURNER, HALF, REAR, SF, 363, WELD PIN, WA	-	1
6	000470	ADJUSTABLE LEG, ASSY, 4"	4	4
7	009106	PILOT, SEALED BURNER, ASSY	4	6
7.1	008771	PILOT, SEALED BURNER	4	6
7.2	014391	SERVICE, NUT, LOCK, PILOT, SEALED BURNER, PKG 3	2	2
7.3	014396	SERVICE, ADAPTER, PILOT, SEALED BURNER, KIT	4	6
7.4	014392	SERVICE, WASHER, .500 ID X .750 OD X .025 THK, PKG 3	2	2
8	011180	HOSE, FLEX, 3/16 OD, 30", BLANK-F, NUT/FERRULE	4	6
9	002058	BURNER RING, SEALED BURNER, SF	4	6
10	002055	HEAD, BURNER, SEALED BURNER, SF	4	6
11	002057	BURNER BASE, SEALED BURNER, SF	4	6
12	014390	SERVICE, SCREW, MOUNTING, M5X12, SEALED BURNER, PKG 4	4	6
13	002056	GASKET, MAIN, SEALED BURNER, SF	4	6
14	007478	ELBOW, VENTURI, STEP UP, SF, ASSY	2	3
15	006640	ORIFICE, #44, MAIN, SEALED BURNER, DF-NG1	4	6
	010343	ORIFICE, #55, MAIN, SP, SEALED BURNER-LP	4	4
16	002048	JET HOLDER, MAIN, SEALED BURNER, SF/DF	4	6
17	010662	ELBOW, SINGLE FLOW, FRONT, ASSY	2	3
18	014191	SERVICE, HB, 1/4-20 X .625, SS, PKG 4	4	4
19	004163	REGULATOR, STRAIGHT-THRU, 1"NPT, NG	1	1
	004162	REGULATOR, STRAIGHT-THRU, 1"NPT, LP	1	1

Item No.	Part No.	DESCRIPTION	HSUP244	HSUP366
			QTY	QTY
19	004165	REGULATOR, STRAIGHT-THRU, 1-1/4"NPT, NG	1	1
	004164	REGULATOR, STRAIGHT-THRU, 1-1/4"NPT, LP	1	1
20	003662	PLATE SHELF, 24, W/A	1	-
	003664	PLATE SHELF, 36, W/A	-	1
	034424	PLATE SHELF, 6" EXTENDED, WA, 24	1	-
	006053	PLATE SHELF, 6" EXTENDED, WA, 36	-	1
	034426	PLATE SHELF, 8" EXTENDED, WA, 24	1	-
	006069	PLATE SHELF, 8" EXTENDED, WA, 36	-	1
	21	012751	SERVICE, POP RIVET, CSINK, 1/8 DIA X .275L, SS, PKG 8	1
22	012752	SERVICE, RECEPTACLE, BALL STUD, 18LB PULL, C1663-028-3B, PKG 4	1	1
23	012687	SERVICE, BALL STUD, MALE, 6-32UNC, .052-.078 PNL THK, PKG 4	1	1
24	012688	SERVICE, NUT, KEPS, 6-32, SS, PKG 4	1	1
25	000130	KNOB ASSY., SEALED BURNER, 100%	4	6
25.1	014299	SERVICE, SETSCREW, #10-24 X 1.000, CUP PT., SS, PKG 6	1	1
26	001582	CHIN, CONTROL PANEL, W/O HANDLE, 24", WA	1	-
	001194	CHIN, CONTROL PANEL, W/O HANDLE, 36", WA	-	1
27	011202	PANEL, CONTROL, SP, ST, SU, 24-4	1	-
	009078	PANEL, CONTROL, SP, ST, SU, 36-6	-	1
28	010242	SERVICE, SMS, #10-24 X 1/2, PH, PAN, TYPE F, SS, PKG 10	1	1
29	000254	UNION, 1.25" NPT - 44605K197	1	1
30	000122	PANEL, SIDE, RH, RANGETOP	1	1
31	000501	PANEL, SIDE, LH, RANGETOP	1	1
32	012685	SERVICE, NUT, LCK, SERRATED FLG, 1/4-20, ZN, PKG 6	1	1
33	014676	SERVICE, GRATE, SEALED BURNER, COMBO, HALF, 12", KIT	4	6
33.1	014398	SERVICE, SHCS, #10-24 X .313, SS, PKG 6	3	4
34	AHCCCL	CAP, MANIFOLD, LEFT, ASSY	1	1
35	AHCCR	CAP, MANIFOLD, RIGHT, ASSY	1	1
36	004827	FERRULE, 3/16 COMP.	4	6
37	004824	NUT, 3/16 COMP.	4	6



 HESTAN

DESCRIPTION

**SERVICE, MANIFOLD, GAS
ASSY, STEP UP**

DRAWING NO

A1

A1 - GAS MANIFOLD ASSEMBLY - STEP UP SEALED BURNER (PILOT)

			HSUP244	HSUP366
Item No.	Part No.	DESCRIPTION	QTY	QTY
1	011172	MANIFOLD, SP, 24-4, WA	1	-
	009946	MANIFOLD, SP, ST, SU, 36-6, WA	-	1
2	000360	PLUG, HEX SOCKET, 1/8" NPT	1	1
3	001413	BRACKET, VALVE ANTI-ROTATION, STD.	4	3
4	012681	SERVICE, NUT, 3/8-16 X .25, PKG 4	1	1
5	012679	SERVICE, WSH, FLAT, 3/8 SAE (.406 X .812 X .065), ZN, PKG 4	1	1
6	005682	HOSE, FLEX, 3/8 OD, 12", F-F, NUT/FERRULE	4	6
7	015662	KIT, VALVE, ON-OFF, FLANGE-MOUNT, A23-F	4	6
7.1	004643	FLANGED NIPPLE, 1/4 NPT	4	6
7.2	012750	SERVICE, SHCS, 10-24 X .500, SS, PKG 6	2	2
7.3	014103	SERVICE, O-RING, FLANGED NIPPLE, PKG 6	1	1
8	002321	ELBOW, ADAPTER, 1/4 NPT FEMALE X 3/8 CC	4	6
9	000859	VALVE, PILOT, 1/8NPT X 3/16 COMP., STRAIGHT	4	6