

H 2780 BP  
30 Inch Convection Oven  
in a perfectly combinable design with Self Clean.



- 7-segment display with knob – EasyControl
- Minimal cleaning effort – Self-cleaning
- Unlimited possibilities – volume of 4.59 cu. ft. on 6 levels
- Gentle door movement – SoftOpen & SoftClose
- Protects against burns – touch-cool fronts

EAN: 4002516487234 / Material number: 11805320 /  
Old Material Number: 22278045USA

<b>General information</b>	
Model number	H 2780 BP
Manufacturer material number	11805320
EAN number	4002516487234
Marketing class	Silver
<b>Construction type and design</b>	
ContourLine	•
<b>Construction type and design</b>	
Built-in wall oven	•
Color	Clean Touch Steel
<b>Convenience features</b>	
Precise oven temperature regulation in °F (°C)	85-575 (30-300)
Rapid PreHeat	•
<b>Operating modes</b>	
Surround	•
Bake	•
Convection Roast	•
Maxi Broil	•
Broiling operating modes	•
<b>User convenience</b>	
Control panel	EasyControl
SoftOpen	•
SoftClose	•
Time of day display	•
Minute minder	•
Programming end of cooking duration	•
Programmable cooking time	•
Individual settings	•
<b>Cleaning convenience</b>	
Clean Touch Steel surface	•
Self-cleaning	•
Catalyzer	•
CleanGlass door	•
<b>Safety</b>	
Appliance cooling system and cool touch front	•
System lock	•
Door lock during self cleaning	•
<b>Technical data</b>	
Cavity volume in cu.ft (l)	4.59 (130)
No. of rack levels	6
Labeling of rack levels	•
Oven interior lighting	2 halogen spots
TwinPower hot air fans	•
Plug type	NEMA plug: 14-30
Niche width min. in inches (mm)	28 5/8 (724)
Niche width max. in inches (mm)	28 5/8 (724)
Niche height min. in inches (mm)	28 3/8 (718)
Niche height max. in inches (mm)	28 3/8 (718)

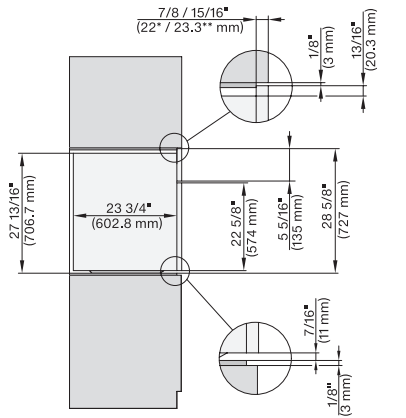
H 2780 BP  
 30 Inch Convection Oven  
 in a perfectly combinable design with Self Clean.



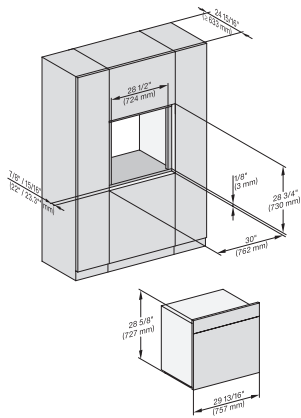
EAN: 4002516487234 / Material number: 11805320 /  
 Old Material Number: 22278045USA

Niche depth in in. (mm)	24 1/8 (610)
Weight in lbs. (kg)	178 (80.5)
Weight in lbs. (kg)	177.47 (80.5)
Weight in lbs. (kg)	178 (80.5)
Total connected load in kW	6.50
Length of power cord in in. (m)	1.80
Power Rating in V	120
Voltage in V	240/208
Frequency in Hz	60
Fuse rating in A	30
Number of phases	1
Connection wire with plug	•
<b>Standard accessories</b>	
Baking and roasting rack	1
Universal tray with PerfectClean	1
Removable side racks (pair)	1

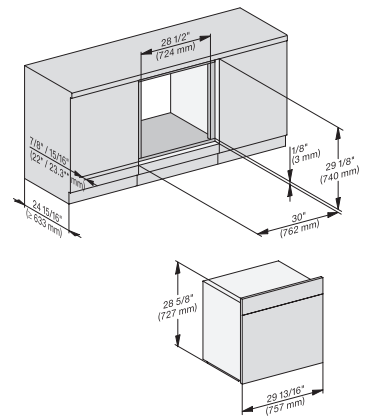
## H 2780 BP 30 Inch Convection Oven in a perfectly combinable design with Self Clean.



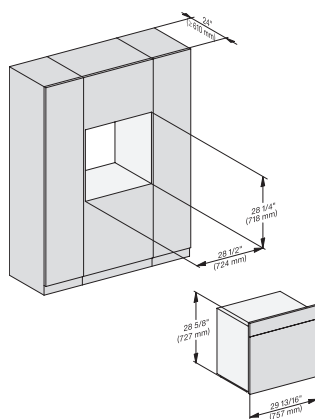
side view 30 inch Flush inset, installation drawing, NA  
7/8" – 22\* mm – Glas, 15/16" – 23.3\*\* mm – Edelstahl



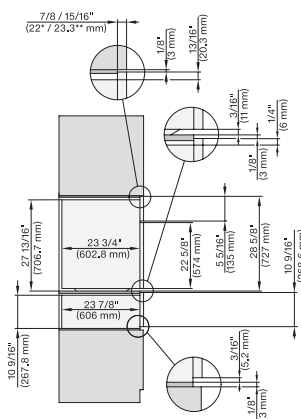
installation 30 inch Flush inset, installation drawing, NA  
7/8" – 22\* mm – Glas, 15/16" – 23.3\*\* mm – Edelstahl



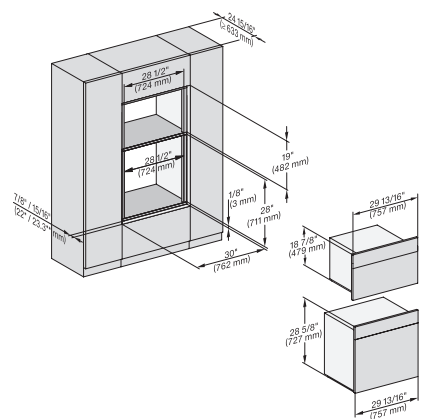
installation 30 inch Flush inset built-under, installation drawing, NA  
7/8" – 22\* mm – Glas, 15/16" – 23.3\*\* mm – Edelstahl



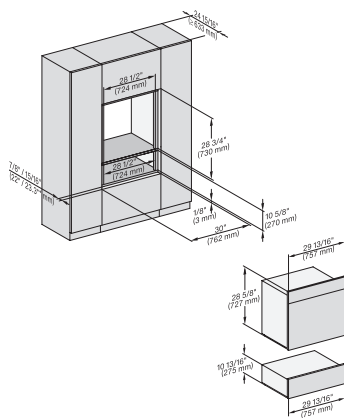
installation 30 inch Proud, installation drawing, NA



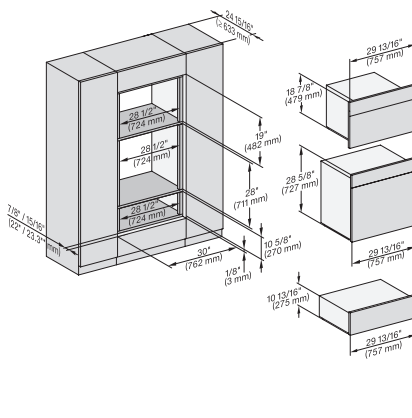
H 6x80 BP, ESW 6x80, H 6x80-2BP, H2x80, H7x80m  
ESW7x80 Combi, Installation drawing, Flush inset, NA  
7/8" – 22\* mm – Glas, 15/16" – 23.3\*\* mm – Edelstahl



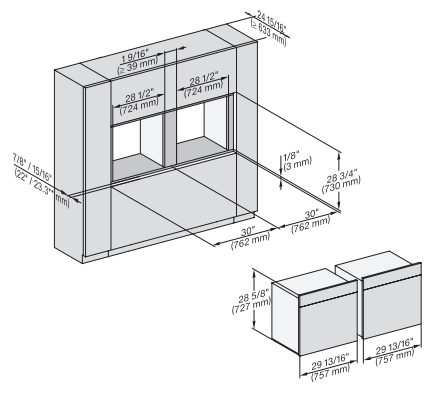
H 6x80 BP, H 6x70 BM, H 6x80-2BP, DGC7x7x, H7xxx  
Fitting Combi, Installation drawing, Flush inset, NA



H 6x80 BP, ESW 6x80, H 6x80-2BP, H7x8x, ESW7x80,  
H 2x8x Fitting Combi, Installation drawing, Flush inset,  
NA

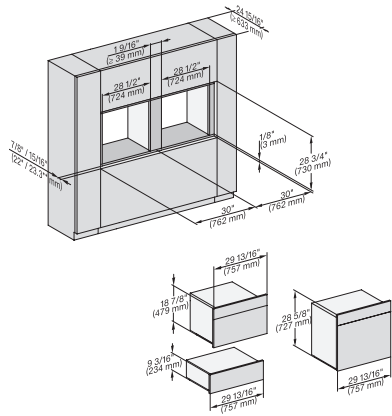


H 6x80 BP, H 6x70 BM, ESW 6x80, H 6x80-2BP,  
DGC7xxx, H7xxxBM/BMX/BP/BPX, H2x80BP,  
ESW7x80, Installation drawing, NA

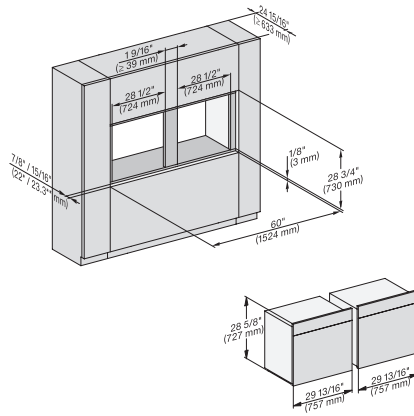


H 6x80 BP, H 6x80-2BP, H 2x80BP, H 7x80BP/PBX  
Fitting Combi side by side, Installation drawing, Flush  
inset, NA

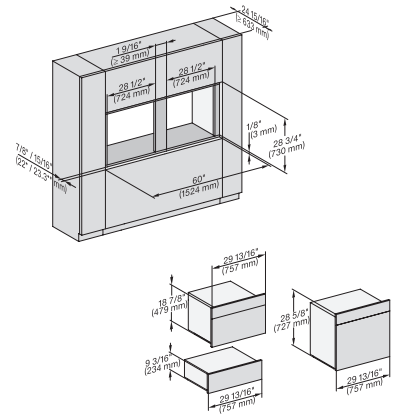
## H 2780 BP 30 Inch Convection Oven in a perfectly combinable design with Self Clean.



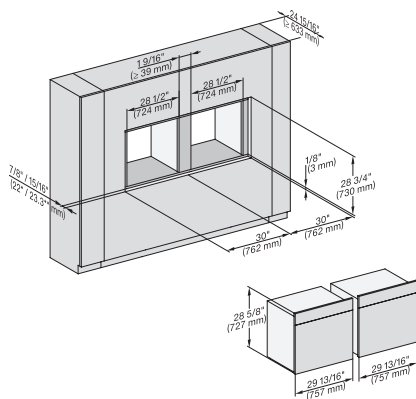
H 6x80BP, H 6x70 BM, ESW 6x85, H 6x80-2BP, H7xxx BM/BP/BPX/BMX, ESW7x70, EVS7670 , Installation drawing, Flush inset, NA



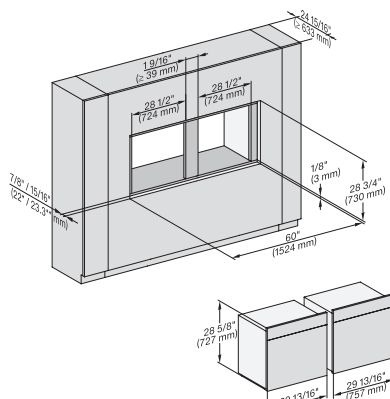
H 6x80 BP, H 6x80-2BP, H 2x80BP, H7x80BP/BPX, Installation drawing, Flush inset, NA



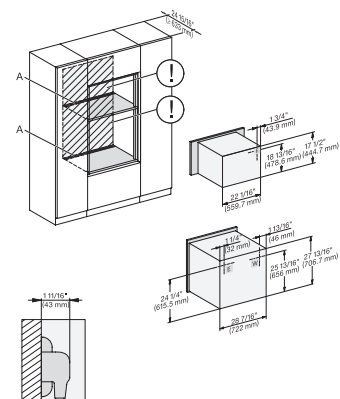
H 6x80 BP, H 6x70 BM, ESW 6x85, H 6x80-2BP, H 7xxx BP/BM/BPX/BMX, EXX 7x70 Fitting Combi side by side without wall, NA



H 6x80 BP, H 6x80-2BP, H 2x80BP, H 7x80 BP/BPX Fitting Combi wide front side by side, Install. drawing, Flush inset, NA



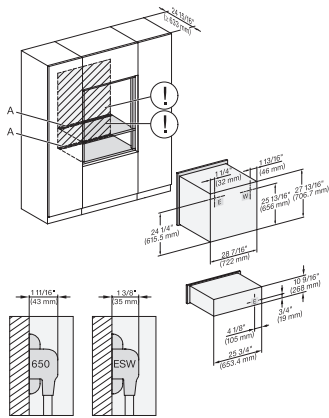
H 6x80 BP, H 6x80-2BP, H 2x80BP, G 7x80 BP/BPX, Installation drawing, Flush inset, NA



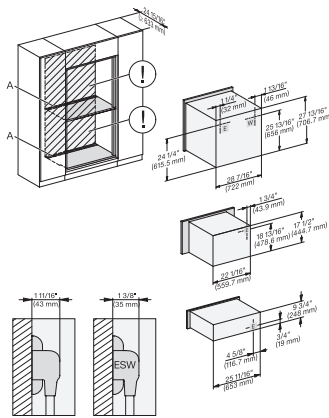
H 6x80 BP, H 6x70 BM, H 6x80-2BP, H 7xxx BM/BMX/BP/BPX, H 2x90BP Installation drawing, Flush inset, NA

A – Cut-out (4" x 28" / 100 mm x 720 mm) in the bottom of the cabinet for power cord and ventilation, – Electrical and water supplies are recommended to be placed in adjacent cabinetry., Additional cabinet depth is required when placing the electrical and water supplies behind the appliance., E = Electric connection

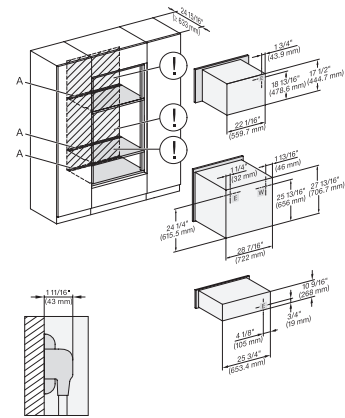
## H 2780 BP 30 Inch Convection Oven in a perfectly combinable design with Self Clean.



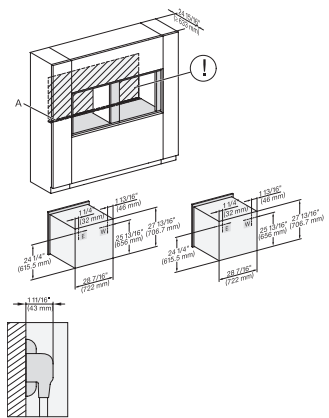
H 6x80 BP, ESW 6x80, H 6x80-2BP, H 2x80BP, H 7xxx BP/BPX, ESW 7x80 Installation drawing, Flush inset, NA  
A – Cut-out (4" x 28" / 100 mm x 720 mm) in the bottom of the cabinet for power cord and ventilation, – Electrical and water supplies are recommended to be placed in adjacent cabinetry, Additional cabinet depth is required when placing the electrical and water supplies behind the appliance., E = Electric connection



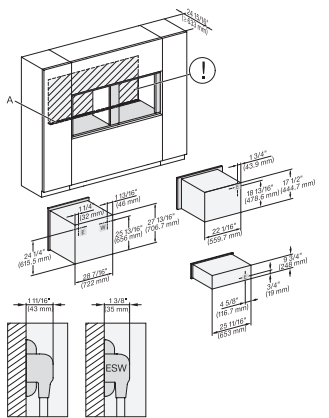
H 6x80 BP, H 6x70 BM, ESW 6x85, H 6x80-2BP, H 2880BP, H 7xxxBP/BPX/BM/BMX, Exx7670, Installation drawing, Flush inset, NA  
A – Cut-out (4" x 28" / 100 mm x 720 mm) in the bottom of the cabinet for power cord and ventilation, – Electrical and water supplies are recommended to be placed in adjacent cabinetry, Additional cabinet depth is required when placing the electrical and water supplies behind the appliance., E = Electric connection



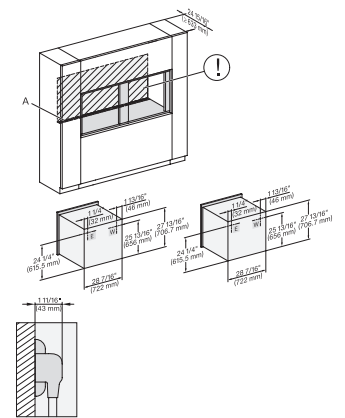
H 6x80BP, H 6x70 BM, ESW 6x80, H 6x80-2BP, H 2880BP, H 7xxxBP/BPX/BM/BMX, ESW 7x80 Installation drawing, Flush inset, NA  
A – Cut-out (4" x 28" / 100 mm x 720 mm) in the bottom of the cabinet for power cord and ventilation, – Electrical and water supplies are recommended to be placed in adjacent cabinetry, Additional cabinet depth is required when placing the electrical and water supplies behind the appliance., E = Electric connection



H 6x80 BP, H 6x80-2BP, H 2x80BP, H 7x80BP/BPX Combi, side by side, Installation drawing, Flush inset, NA  
A – Cut-out (4" x 28" / 100 mm x 720 mm) in the bottom of the cabinet for power cord and ventilation, – Electrical and water supplies are recommended to be placed in adjacent cabinetry, Additional cabinet depth is required when placing the electrical and water supplies behind the appliance., E = Electric connection

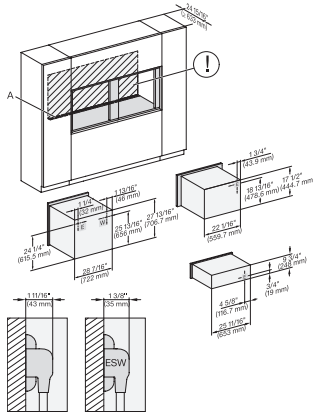


H 6x80BP, H 6x70BM, ESW 6x85, H 6x80-2BP, H 2x80BP, H 7x80BP/BPX, ESW 7x70, EVS7670, Install. drawing, Flush inset, NA  
A – Cut-out (4" x 28" / 100 mm x 720 mm) in the bottom of the cabinet for power cord and ventilation, – Electrical and water supplies are recommended to be placed in adjacent cabinetry, Additional cabinet depth is required when placing the electrical and water supplies behind the appliance., E = Electric connection



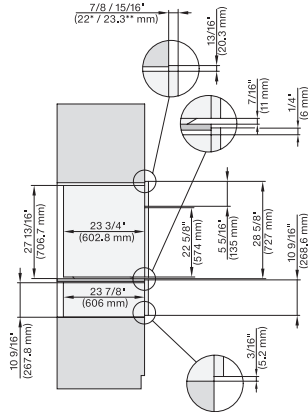
H 6x80 BP, H 6x80-2BP, H 2x80BP/BP, H 7x80BP/BPX, Installation drawing, Flush inset, NA  
A – Cut-out (4" x 28" / 100 mm x 720 mm) in the bottom of the cabinet for power cord and ventilation, – Electrical and water supplies are recommended to be placed in adjacent cabinetry, Additional cabinet depth is required when placing the electrical and water supplies behind the appliance., E = Electric connection

## H 2780 BP 30 Inch Convection Oven in a perfectly combinable design with Self Clean.



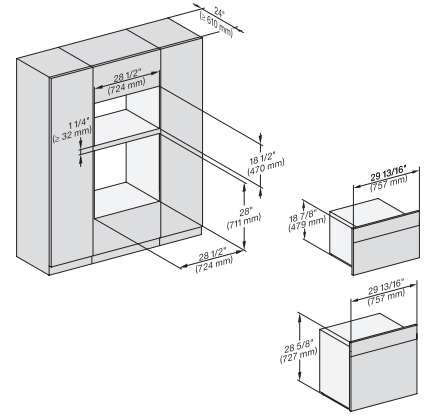
H 6x80 BP, H 6x70 BM, ESW 6x85, H 6x80-2BP, H 2x80BP, H 7x80BP/BPX, ESW 7x70, EVS 7670, drawing, Flush inset, NA

A – Cut-out (4" x 28" / 100 mm x 720 mm) in the bottom of the cabinet for power cord and ventilation, – Electrical and water supplies are recommended to be placed in adjacent cabinetry, Additional cabinet depth is required when placing the electrical and water supplies behind the appliance, E = Electric connection

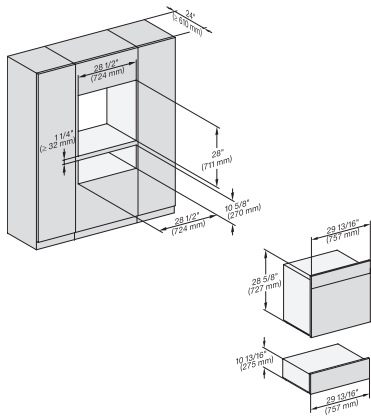


H 6x80 BP, ESW 6x80, H 6x80-2BP, H2x80BP, H7x80BP(X), ESW7x80, Combi, Installation drawing, Proud, NA

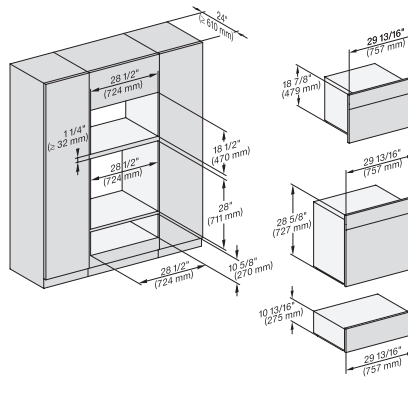
7/8" – 22\* mm – Glas, 15/16" – 23.3\*\* mm – Edelstahl



H6x80BP, H6x70BM, H6x80-2BP, DGC7x7x, H7x70BM, H2x80BP, H7x80BP(X), Fitting Combi, Installation drawing, Proud, NA

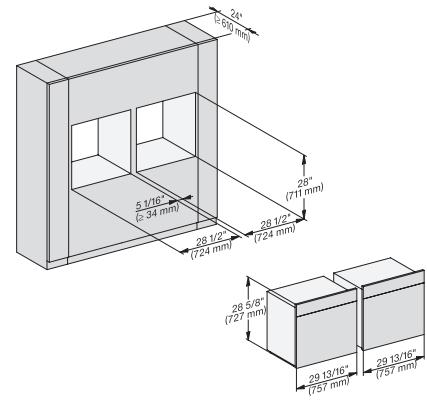


H6x80BP, ESW6x80, H6x80-2BP, H2x80BP, H7x80BPX, ESW7x80, Fitting Combi, Installation drawing, Proud, NA



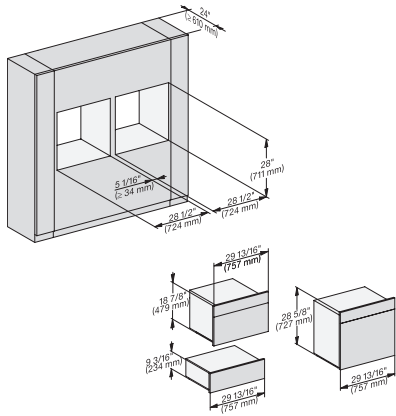
H 6x80 BP, H 6x70 BM, ESW 6x80, H 6x80-2BP, NA7000 Fitting Combi, Installation drawing, Proud, NA

<https://miele-mms.de.miele.net/mms/admin/forward.php#>

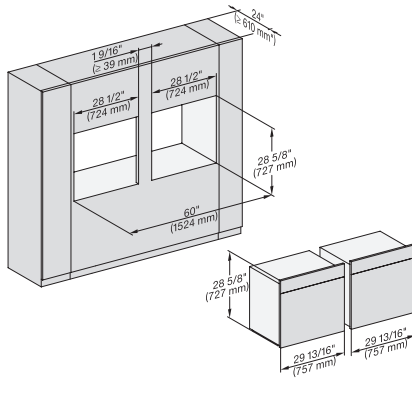


H 6x80 BP, H 6x80-2BP, NA7000, Fitting Combi side by side, Installation drawing, Proud, NA

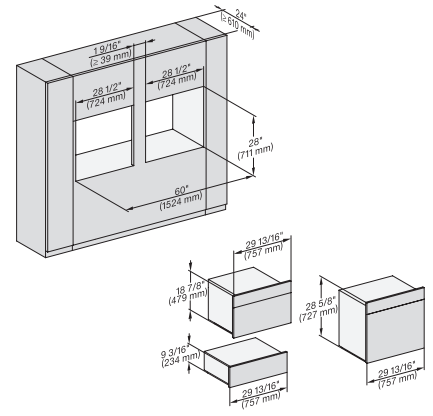
H 2780 BP  
30 Inch Convection Oven  
in a perfectly combinable design with Self Clean.



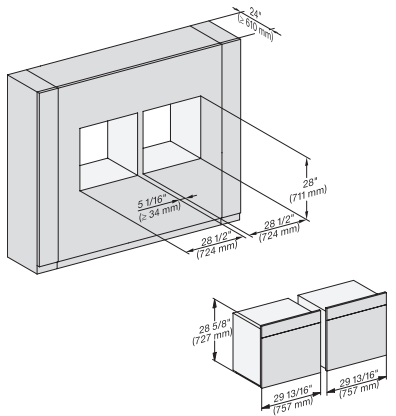
H 6x80 BP, H 6x70 BM, ESW 6x85, H 6x80-2BP, NA7000, Fitting Combi side by side, Installation drawing, Proud, NA



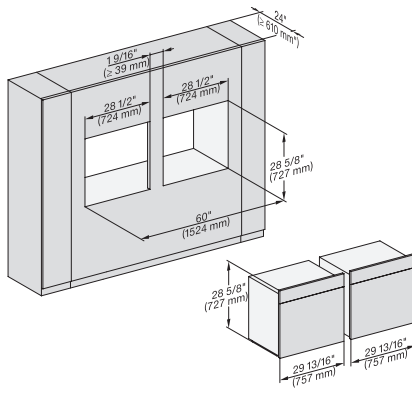
H 6x80 BP, H 6x80-2BP, NA7000 Fitting Combi side by side without wall, Installation drawing, Proud, NA



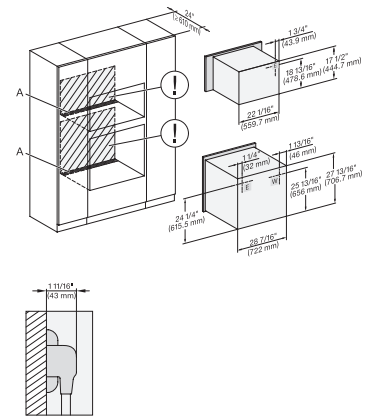
H6x80BP, H6x70BM, ESW6x85, H6x80-2BP, NA7000, Fitting Combi side by side without wall, Installation drawing, Proud, NA



H 6x80 BP, H 6x80-2BP, H2x80BP, H7x80BP(X), Fitting Combi wide front side by side, Installation drawing, Proud, NA



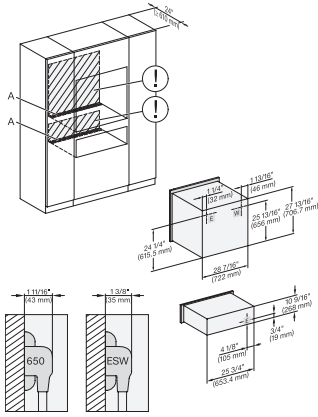
H 6x80 BP, H 6x80-2BP, NA7000 Fitting Combi wide front side by side without wall, Installation drawing, Proud, NA



H 6x80 BP, H 6x70 BM, H 6x80-2BP, Hx70BM, H2x80BP(X), H7x80BP(X), Installation Combi, Installation drawing, Proud, NA

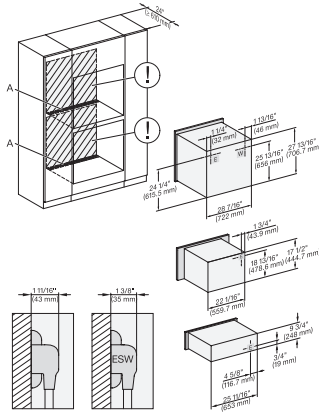
A – Cut-out (4" x 28" / 100 mm x 720 mm) in the bottom of the cabinet for power cord and ventilation, – Electrical and water supplies are recommended to be placed in adjacent cabinetry, Additional cabinet depth is required when placing the electrical and water supplies behind the appliance., E = Electric connection

## H 2780 BP 30 Inch Convection Oven in a perfectly combinable design with Self Clean.



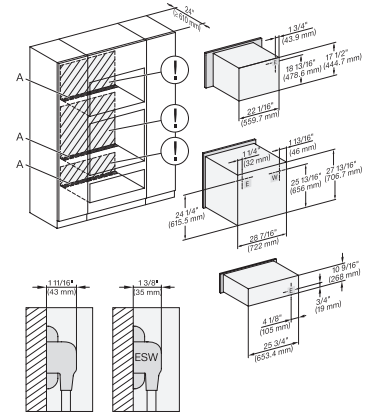
H 6x80 BP, ESW 6x80, H 6x80-2BP, H2x80BP, H7x80BP, ESW7x80, Installation Combi, Installation drawing, Proud, NA

A – Cut-out (4" x 28" / 100 mm x 720 mm) in the bottom of the cabinet for power cord and ventilation, – Electrical and water supplies are recommended to be placed in adjacent cabinetry, Additional cabinet depth is required when placing the electrical and water supplies behind the appliance., E = Electric connection



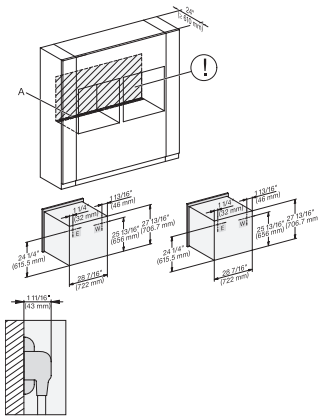
H 6x80 BP, H 6x70 BM, ESW 6x85, H 6x80-2BP, NA7000 Installation Combi, Installation drawing, Proud, NA

A – Cut-out (4" x 28" / 100 mm x 720 mm) in the bottom of the cabinet for power cord and ventilation, – Electrical and water supplies are recommended to be placed in adjacent cabinetry, Additional cabinet depth is required when placing the electrical and water supplies behind the appliance., E = Electric connection



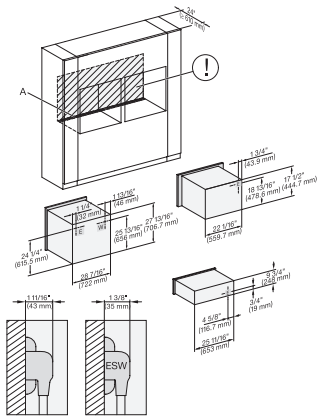
H 6x80 BP, H 6x70 BM, ESW 6x80, H 6x80-2BP, NA7000, Installation Combi, Installation drawing, Proud, NA

A – Cut-out (4" x 28" / 100 mm x 720 mm) in the bottom of the cabinet for power cord and ventilation, – Electrical and water supplies are recommended to be placed in adjacent cabinetry, Additional cabinet depth is required when placing the electrical and water supplies behind the appliance., E = Electric connection



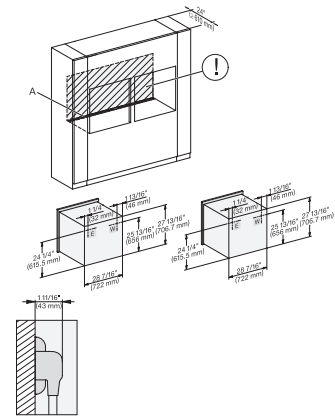
H 6x80 BP, H 6x80-2BP, H2x80BP, H7x80BP, Installation Combi, side by side, Installation drawing, Proud, NA

A – Cut-out (4" x 28" / 100 mm x 720 mm) in the bottom of the cabinet for power cord and ventilation, – Electrical and water supplies are recommended to be placed in adjacent cabinetry, Additional cabinet depth is required when placing the electrical and water supplies behind the appliance., E = Electric connection



H6x80(-2)BP, H6x70BM, ESW6x85, H2x80BP, H7x80BP, ESW7x70, EVS7670, Installation Combi side by side, Installation drawing

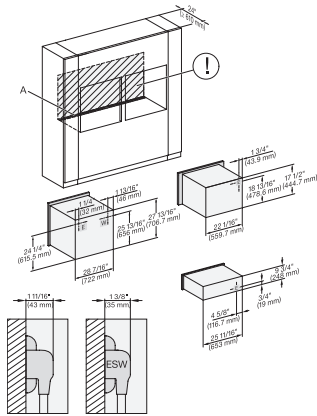
A – Cut-out (4" x 28" / 100 mm x 720 mm) in the bottom of the cabinet for power cord and ventilation, – Electrical and water supplies are recommended to be placed in adjacent cabinetry, Additional cabinet depth is required when placing the electrical and water supplies behind the appliance., E = Electric connection



H 6x80 BP, H 6x80-2BP, H2x80BP, H7x80BP(X), Installation Combi side by side without wall, Installation drawing, Proud, NA

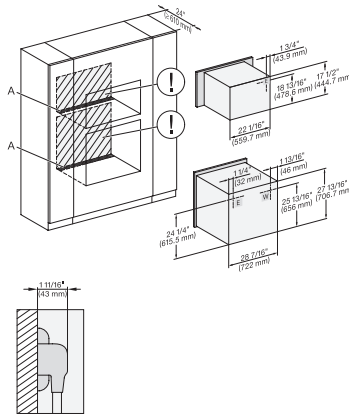
A – Cut-out (4" x 28" / 100 mm x 720 mm) in the bottom of the cabinet for power cord and ventilation, – Electrical and water supplies are recommended to be placed in adjacent cabinetry, Additional cabinet depth is required when placing the electrical and water supplies behind the appliance., E = Electric connection

## H 2780 BP 30 Inch Convection Oven in a perfectly combinable design with Self Clean.



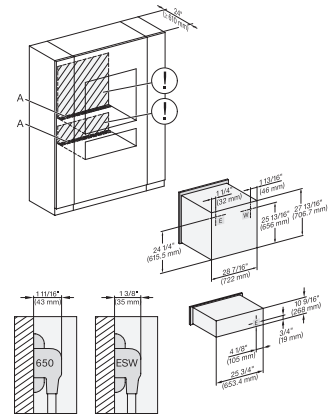
H 6x80 BP, H 6x70 BM, ESW 6x85, H 6x80-2BP, NA7000, Installation Combi side by side without wall, drawing, Proud, NA

A – Cut-out (4" x 28" / 100 mm x 720 mm) in the bottom of the cabinet for power cord and ventilation, – Electrical and water supplies are recommended to be placed in adjacent cabinetry, Additional cabinet depth is required when placing the electrical and water supplies behind the appliance, E = Electric connection



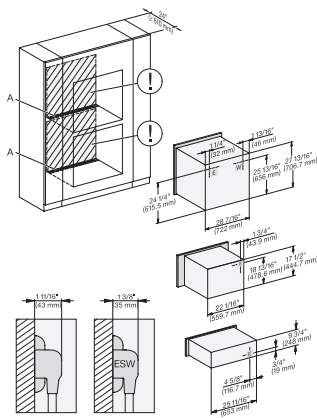
H 6x80 BP, H 6x70 BM, H 6x80-2BP, NA7000, Installation Combi wide front, Installation drawing, Proud, NA

A – Cut-out (4" x 28" / 100 mm x 720 mm) in the bottom of the cabinet for power cord and ventilation, – Electrical and water supplies are recommended to be placed in adjacent cabinetry, Additional cabinet depth is required when placing the electrical and water supplies behind the appliance, E = Electric connection



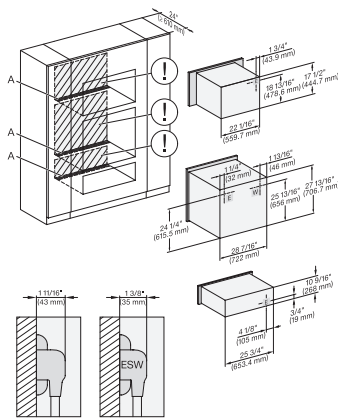
H 6x80 BP, ESW 6x80, H 6x80-2BP, NA7000, Installation Combi wide front, Installation drawing, Proud, NA

A – Cut-out (4" x 28" / 100 mm x 720 mm) in the bottom of the cabinet for power cord and ventilation, – Electrical and water supplies are recommended to be placed in adjacent cabinetry, Additional cabinet depth is required when placing the electrical and water supplies behind the appliance, E = Electric connection



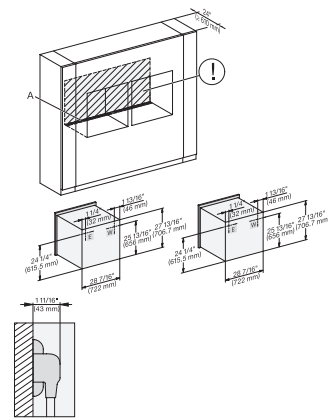
H 6x80 BP, H 6x70 BM, ESW 6x85, H 6x80-2BP, NA7000, Installation Combi wide front, Installation drawing, Proud, NA

A – Cut-out (4" x 28" / 100 mm x 720 mm) in the bottom of the cabinet for power cord and ventilation, – Electrical and water supplies are recommended to be placed in adjacent cabinetry, Additional cabinet depth is required when placing the electrical and water supplies behind the appliance, E = Electric connection



H 6x80 BP, H 6x70 BM, ESW 6x80, H 6x80-2BP, NA7000, Installation Combi wide front, Installation drawing, Proud, NA

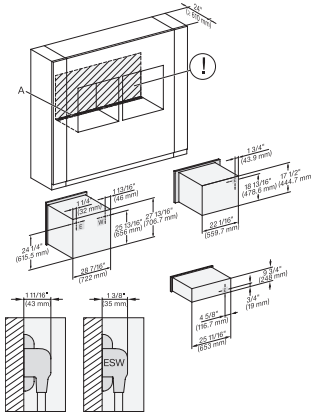
A – Cut-out (4" x 28" / 100 mm x 720 mm) in the bottom of the cabinet for power cord and ventilation, – Electrical and water supplies are recommended to be placed in adjacent cabinetry, Additional cabinet depth is required when placing the electrical and water supplies behind the appliance, E = Electric connection



H 6x80 BP, H 6x80-2BP, H2x80BP, H7x80BP, Installation Combi wide front side by side, Installation drawing, Proud, NA

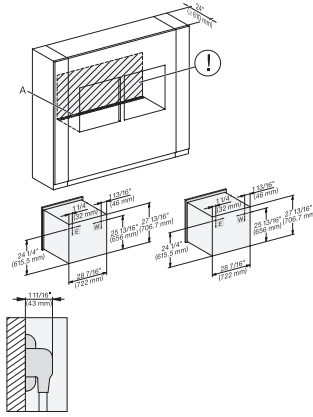
A – Cut-out (4" x 28" / 100 mm x 720 mm) in the bottom of the cabinet for power cord and ventilation, – Electrical and water supplies are recommended to be placed in adjacent cabinetry, Additional cabinet depth is required when placing the electrical and water supplies behind the appliance, E = Electric connection

## H 2780 BP 30 Inch Convection Oven in a perfectly combinable design with Self Clean.



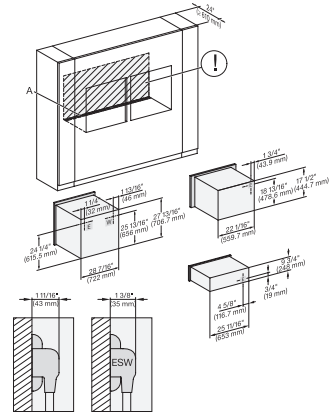
H6x80(2)BP, H6x70BM, ESW6x85, H2x80BP, H7x80BP, Installation Combi wide front side by side, Installation drawing, Proud

A – Cut-out (4" x 28" / 100 mm x 720 mm) in the bottom of the cabinet for power cord and ventilation, – Electrical and water supplies are recommended to be placed in adjacent cabinetry, Additional cabinet depth is required when placing the electrical and water supplies behind the appliance, E = Electric connection



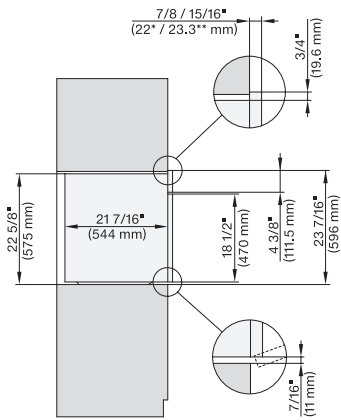
H6x80BP, H6x80-2BP, H2x80BP, H7x80BP, Installation Combi wide front side by side without wall, Installation drawing

A – Cut-out (4" x 28" / 100 mm x 720 mm) in the bottom of the cabinet for power cord and ventilation, – Electrical and water supplies are recommended to be placed in adjacent cabinetry, Additional cabinet depth is required when placing the electrical and water supplies behind the appliance, E = Electric connection

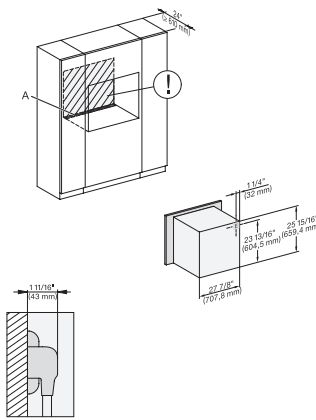


H6x80 BP, H6x70BM, ESW6x85, H6x80-2BP, NA7000, Installation Combi w. front side by side without wall, drawing, Proud, NA

A – Cut-out (4" x 28" / 100 mm x 720 mm) in the bottom of the cabinet for power cord and ventilation, – Electrical and water supplies are recommended to be placed in adjacent cabinetry, Additional cabinet depth is required when placing the electrical and water supplies behind the appliance, E = Electric connection

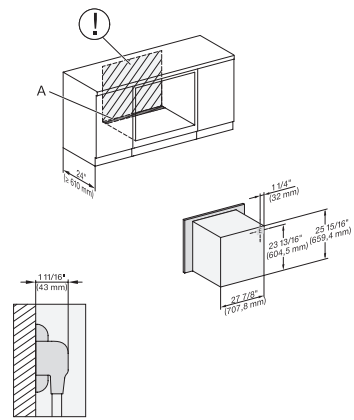


H2x80BP, side view, 30 Zoll, Proud, Discovery  
7/8" – 22\* mm – Glass, 15/16" – 23.3\*\* mm – Stainless steel



installation 30 inch Proud Discovery, installation drawing, NA

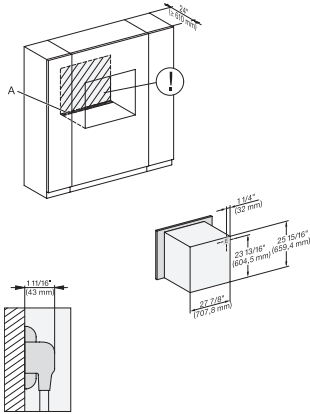
A – Cut-out (4" x 28" / 100 mm x 720 mm) in the bottom of the cabinet for power cord and ventilation, – Electrical and water supplies are recommended to be placed in adjacent cabinetry, Additional cabinet depth is required when placing the electrical and water supplies behind the appliance, E = Electric connection



installation 30 inch Proud build-under Discovery, installation drawing, NA

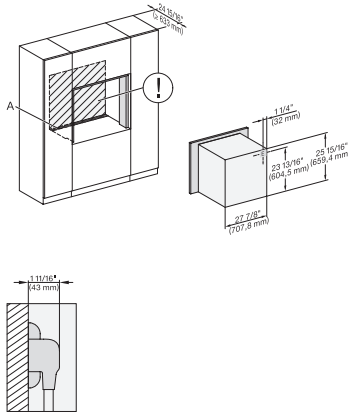
A – Cut-out (4" x 28" / 100 mm x 720 mm) in the bottom of the cabinet for power cord and ventilation, – Electrical and water supplies are recommended to be placed in adjacent cabinetry, Additional cabinet depth is required when placing the electrical and water supplies behind the appliance, E = Electric connection

## H 2780 BP 30 Inch Convection Oven in a perfectly combinable design with Self Clean.



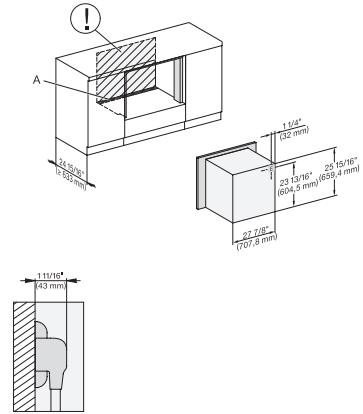
installation 30 inch Proud wide front Discovery, installation drawing, NA

A – Cut-out (4" x 28" / 100 mm x 720 mm) in the bottom of the cabinet for power cord and ventilation, – Electrical and water supplies are recommended to be placed in adjacent cabinetry, Additional cabinet depth is required when placing the electrical and water supplies behind the appliance., E = Electric connection



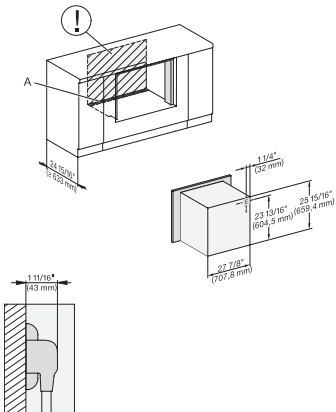
installation 30 inch Flush inset discovery, installation drawing, NA

A – Cut-out (4" x 28" / 100 mm x 720 mm) in the bottom of the cabinet for power cord and ventilation, – Electrical and water supplies are recommended to be placed in adjacent cabinetry, Additional cabinet depth is required when placing the electrical and water supplies behind the appliance., E = Electric connection



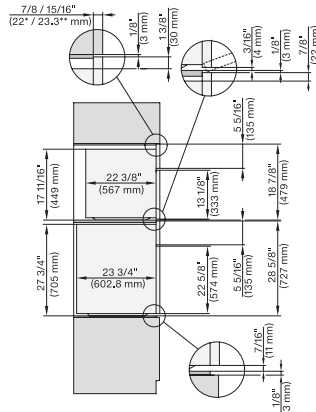
installation 30 inch Flush inset built-under Discovery, installation drawing, NA

A – Cut-out (4" x 28" / 100 mm x 720 mm) in the bottom of the cabinet for power cord and ventilation, – Electrical and water supplies are recommended to be placed in adjacent cabinetry, Additional cabinet depth is required when placing the electrical and water supplies behind the appliance., E = Electric connection



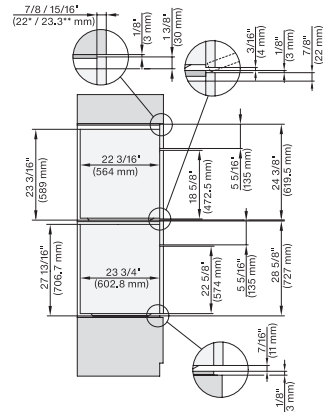
installation 30 inch Flush inset built-under wide front discovery, installation drawing, NA

A – Cut-out (4" x 28" / 100 mm x 720 mm) in the bottom of the cabinet for power cord and ventilation, – Electrical and water supplies are recommended to be placed in adjacent cabinetry, Additional cabinet depth is required when placing the electrical and water supplies behind the appliance., E = Electric connection



DGC7x7(X), H7x8(X)BP, side view, 30 Zoll, Flush inset, combi, XL, 650

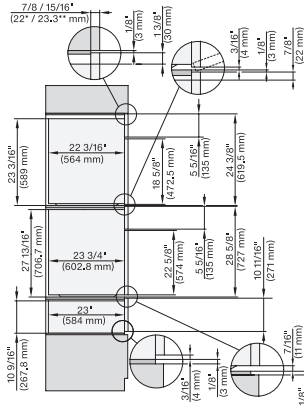
7/8" – 22\* mm – Glass, 15/16" – 23.3\*\* mm – Stainless steel



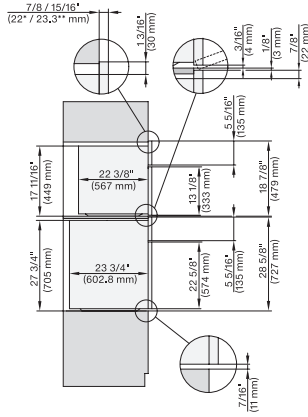
DGC7x8x, H2x80BP, H7x8xBP(X), side view, 30 Zoll, Flush inset, combi, XXL 650

7/8" – 22\* mm – Glass, 15/16" – 23.3\*\* mm – Stainless steel, DGC: Minimum installation height 36" – 914 mm from floor to the device installation surface

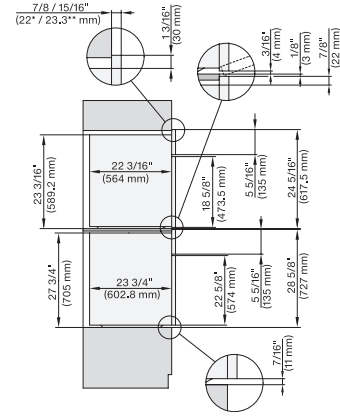
## H 2780 BP 30 Inch Convection Oven in a perfectly combinable design with Self Clean.



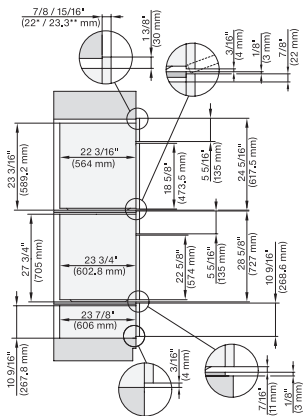
DGC7x8(X), H2x80BP, H7x8xBP, ESW7x80, side view, 30 Zoll, Flush inset, combi, XXL, 650, ESW30  
7/8" – 22\* mm – Glass, 15/16" – 23.3\*\* mm – Stainless steel, DGC: Minimum installation height 36" – 914 mm from floor to the device installation surface



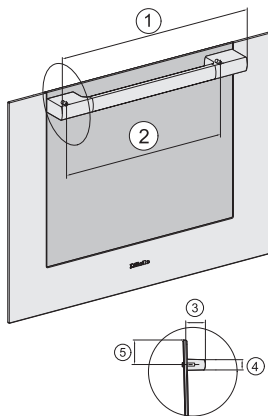
DGC7xxx, H2x80BP, H7x8xBP(X), side view, 30 Zoll, Proud, combi, XL, 650  
7/8" – 22\* mm – Glass, 15/16" – 23.3\*\* mm – Stainless steel



DGC7x8x, H2x80BP, H7x8xBP(X), side view, 30 Zoll, Proud, combi, XXL 650  
7/8" – 22\* mm – Glass, 15/16" – 23.3\*\* mm – Stainless steel, DGC: Minimum installation height 36" – 914 mm from floor to the device installation surface

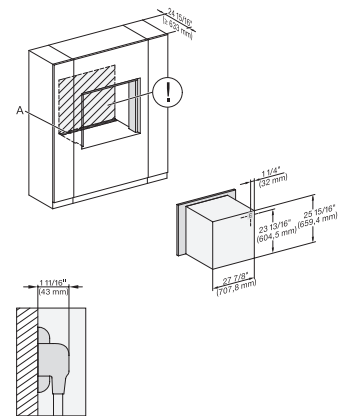


DGC7x8(X), H2x80BP, H7x8xBP(X), ESW7x80, side view, 30 Zoll, Proud, combi, XXL, 650  
7/8" – 22\* mm – Glass, 15/16" – 23.3\*\* mm – Stainless steel, DGC: Minimum installation height 36" – 914 mm from floor to the device installation surface



Handle 30" DGC73xx, DGC75xx, DGC77xx, H71xx, H75xx, H77xx, ContourLine – NA7000 - Installation drawing

☐ 21 1/8" / 536 mm, ☐ 17 1/2" / 444 mm, ☐ 2 1/2" / 64 mm, ☐ 1 3/8" / 35 mm, ☐ 1 7/16" / 37 mm



installation 30 inch Flush inset wide front Discovery, installation drawing, NA

A – Cut-out (4" x 28" / 100 mm x 720 mm) in the bottom of the cabinet for power cord and ventilation, ! – Electrical and water supplies are recommended to be placed in adjacent cabinetry, Additional cabinet depth is required when placing the electrical and water supplies behind the appliance, , E = Electric connection