

H 7240 BM AM

24" compact speed oven

in a perfectly combinable design with automatic programs and combi modes.



- Clear-text display with sensor controls – DirectSensor S
- Easy cleaning – cavity with linen-weave pattern & PerfectClean
- Faster and more consistent results – Quick & Gentle
- Network-enabled WiFi appliance – Miele@home
- What you want is just a button away – Quick MW and Popcorn button

EAN: 4002516484561 / Material number: 11804520 /
Old Material Number: 22724036USA

General information	
Model number	H 7240 BM AM
Manufacturer material number	11804520
EAN number	4002516484561
Marketing class	Gold
Construction type and design	
VitroLine	•
Construction type and design	
Built-in wall speed oven	•
Color	Graphite grey
User convenience	
3 in 1	Oven, Microwave, Speed oven
Convenience features	
Precise oven temperature regulation in °F (°C)	85-475 (30-250)
Quick & Gentle	•
Rapid PreHeat	•
Operating modes	
Defrost	•
Auto roast	•
Microwave	•
Micro Broil	•
Combi Bake	•
Combi Broil	•
Convection Roast	•
Combi Auto Roast	•
Maxi Broil	•
Gentle Bake	•
Automatic programs	•
User convenience	
Networking with Miele@home	•
Control panel	DirectSensor S
SoftOpen	•
SoftClose	•
MultiLingua	•
Popcorn function	•
Time of day display	•
Time synchronization	•
Minute minder	•
Programming start of cooking duration	•
Programming end of cooking duration	•
Programmable cooking time	•
Actual temperature display	•
Audible signal when desired temperature is reached	•
Default temperature	•
Recommended microwave power	•
Minute Plus button	•
Individual settings	•

H 7240 BM AM

24" compact speed oven

in a perfectly combinable design with automatic programs and combi modes.



EAN: 4002516484561 / Material number: 11804520 /
Old Material Number: 22724036USA

Cleaning convenience

- Stainless-steel cavity with linen surface structure
- Foldable broil heater element
- CleanGlass door

Safety

- Appliance cooling system and cool touch front
- Safety cut-out
- System lock

Technical data

Cavity volume in cu.ft (l)	1.52 (43)
No. of rack levels	3
Oven interior lighting	1 LED spot
Plug type	NEMA plug: 14–30
Electronically controlled microwave power	•
Microwave power levels	1 - 7
Niche width min. in inches (mm)	22 (560)
Niche width max. in inches (mm)	22 3/8 (568)
Niche height min. in inches (mm)	17 3/4 (450)
Niche height max. in inches (mm)	17 3/4 (452)
Niche depth in in. (mm)	21 5/8 (550)
Weight in lbs. (kg)	94 (42.5)
Weight in lbs. (kg)	93.7 (42.5)
Weight in lbs. (kg)	94 (42.5)
Total connected load in kW	3.40
Length of power cord in in. (m)	1.80
Power Rating in V	120
Voltage in V	240/208
Frequency in Hz	60
Fuse rating in A	30
Number of phases	1

Standard accessories

- Wire rack with PerfectClean
- Glass tray

Available display languages

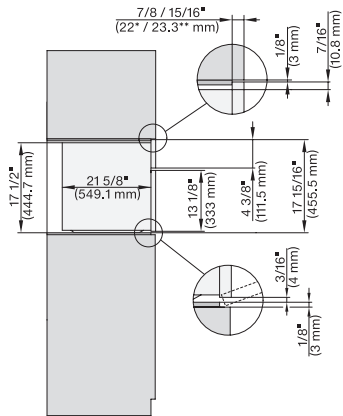
Available display languages via MultiLingua

English, Deutsch, Dansk, Suomi, Français, Ελληνικά, Italiano, Hrvatski, Bahasa Malaysia, Nederlands, Norsk, Polski, Português, Română, Русский, Svenska, Српски, Slovenčina, Slovenščina, Español, Čeština, Türkçe, Українська, Magyar

H 7240 BM AM

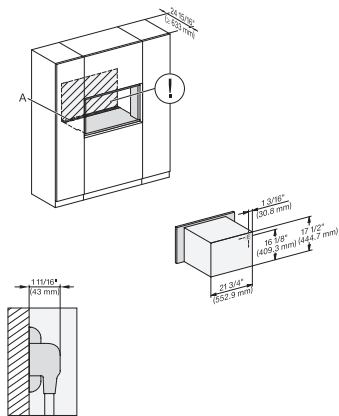
24" compact speed oven

in a perfectly combinable design with automatic programs and combi modes.



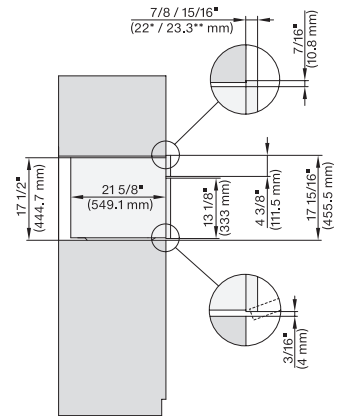
side view 30 inch Flush inset 450S, installation drawing, NA

7/8" – 22* mm – Glas, 15/16" – 23.3** mm – Edelstahl



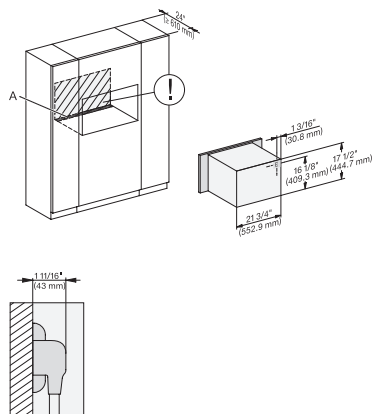
installation 30 inch Flush inset 450S, installation drawing, NA

A – Cut-out (1 9/16" x 19 11/16" / 40 mm x 500 mm) in the bottom of the cabinet for power cord and ventilation, – Electrical and water supplies are recommended to be placed in adjacent cabinetry., Additional cabinet depth is required when placing the electrical and water supplies behind the appliance., E = Electric connection



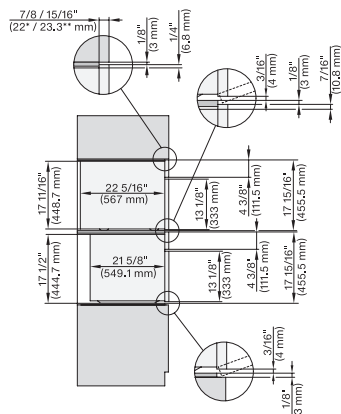
side view 30 inch Proud 450S, installation drawing, NA

7/8" – 22* mm – Glas, 15/16" – 23.3** mm – Edelstahl



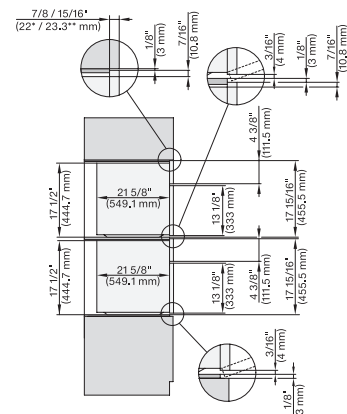
installation 30 inch Proud 450S, installation drawing, NA

A – Cut-out (1 9/16" x 19 11/16" / 40 mm x 500 mm) in the bottom of the cabinet for power cord and ventilation, – Electrical and water supplies are recommended to be placed in adjacent cabinetry., Additional cabinet depth is required when placing the electrical and water supplies behind the appliance., E = Electric connection



DGC 6x00-1 + EBA 6808, H 6x00 BM + EBA 6808, DGC7xxx, H7xxx, EBA7848 Combi, Installation drawing, Flush inset, NA

7/8" – 22* mm – Glas, 15/16" – 23.3** mm – Edelstahl



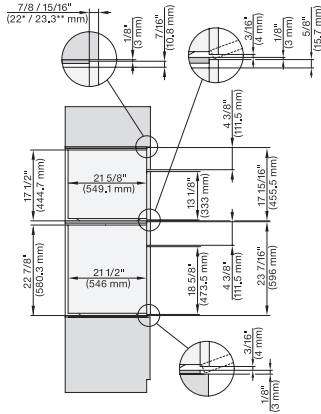
H 6x00 BM + EBA 6808, H7xxx, EBA7848 Combi, Installation drawing, Flush inset, NA

7/8" – 22* mm – Glas, 15/16" – 23.3** mm – Edelstahl

H 7240 BM AM

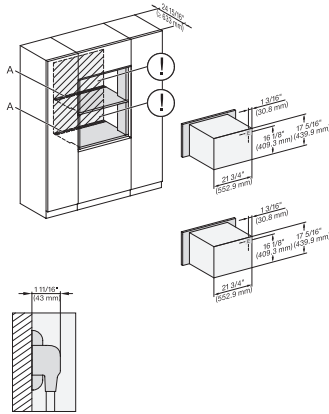
24" compact speed oven

in a perfectly combinable design with automatic programs and combi modes.



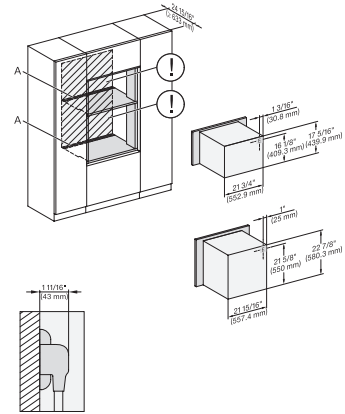
H 6560 B + EBA 6808, H 6x60 BP + EBA 6808, H 6x00 BM + EBA 6808, H 7xxx, EBA 78x8 Combi, Install drawing, Flush inset, NA

7/8" – 22* mm – Glas, 15/16" – 23.3** mm – Edelstahl



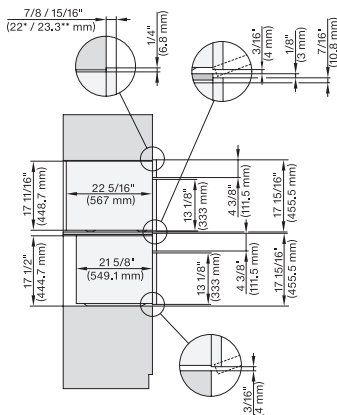
H 6x00 BM + EBA 6808, H 7x40BM, EBA 7848 Installation Combi, Installation drawing, Flush inset, NA

A – Cut-out (4" x 28" / 100 mm x 720 mm) in the bottom of the cabinet for power cord and ventilation, – Electrical and water supplies are recommended to be placed in adjacent cabinetry, Additional cabinet depth is required when placing the electrical and water supplies behind the appliance, E = Electric connection



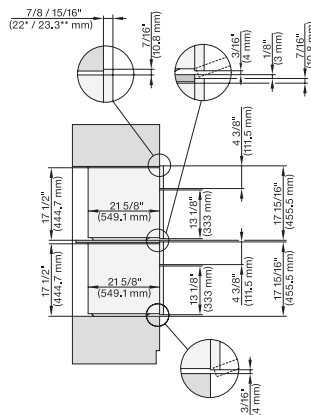
H 6560 B + EBA 6808, H 6x60 BP + EBA 6808, H 6x00 BM, H 7xxx, EBA 78x8, Install drawing, Flush inset, NA

A – Cut-out (4" x 28" / 100 mm x 720 mm) in the bottom of the cabinet for power cord and ventilation, – Electrical and water supplies are recommended to be placed in adjacent cabinetry, Additional cabinet depth is required when placing the electrical and water supplies behind the appliance, E = Electric connection



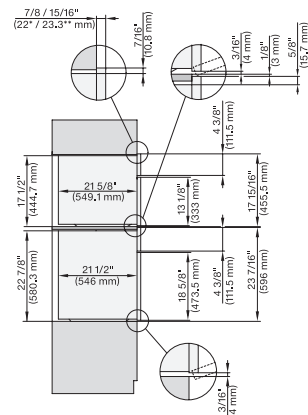
DGC 6x00-1 + EBA6808, H 6x00 BM+EBA 6808, DGC7x4x(+EBA7848), H7x40BM(+EBA7848), Combi, Install drawing, Proud, NA

7/8" – 22* mm – Glas, 15/16" – 23.3** mm – Edelstahl



H 6x00 BM + EBA 6808, H7x40BM(+EBA7848), Combi, Install drawing, Proud, NA

7/8" – 22* mm – Glas, 15/16" – 23.3** mm – Edelstahl



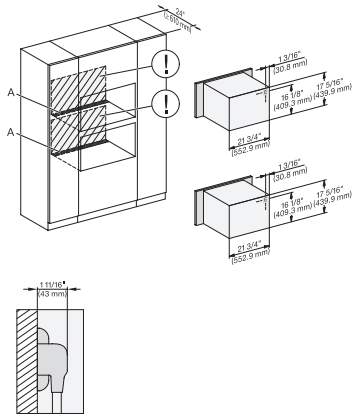
H 6560 B + EBA 6808, H 6x60 BP + EBA 6808, H 6x00 BM + EBA 6808, H7xxx+EBA7x7x, Combi, Install drawing, Proud, NA

7/8" – 22* mm – Glas, 15/16" – 23.3** mm – Edelstahl

H 7240 BM AM

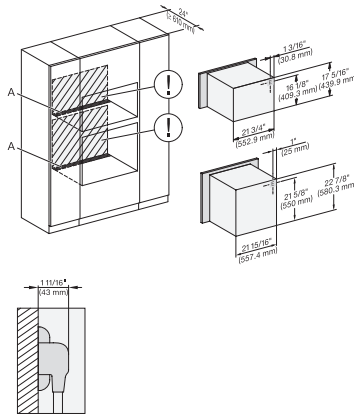
24" compact speed oven

in a perfectly combinable design with automatic programs and combi modes.



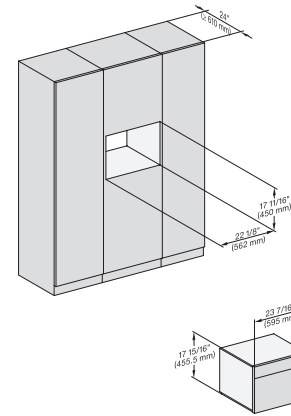
H 6x00 BM + EBA 6808, H7x40BM(+EBA7848), NA7000 Installation Combi, Installation drawing, Proud, NA

A – Cut-out (4" x 28" / 100 mm x 720 mm) in the bottom of the cabinet for power cord and ventilation, – Electrical and water supplies are recommended to be placed in adjacent cabinetry, Additional cabinet depth is required when placing the electrical and water supplies behind the appliance, E = Electric connection

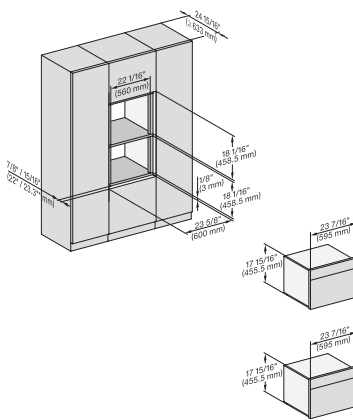


H 6560 B + EBA 6808, H 6x60 BP + EBA6808, H6x00BM + EBA6808, NA7000 Installation Combi, Installation drawing, Proud, NA

A – Cut-out (4" x 28" / 100 mm x 720 mm) in the bottom of the cabinet for power cord and ventilation, – Electrical and water supplies are recommended to be placed in adjacent cabinetry, Additional cabinet depth is required when placing the electrical and water supplies behind the appliance, E = Electric connection

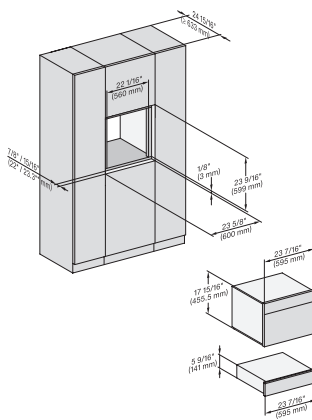


installation Proud 450S, installation drawing, NA



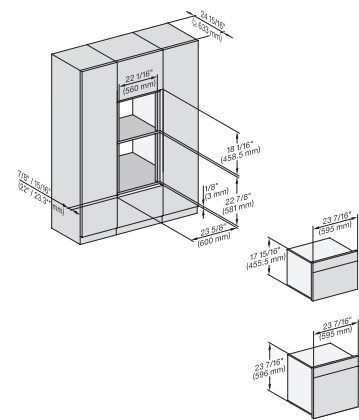
Installation Flush inset combi 450S

7/8" – 22* mm – Glass, 15/16" – 23.3** mm – Stainless steel, DGC: Minimum installation height 36" – 914 mm from floor to the device installation surface



Einbau, Flush inset, combi, 450S, ESW

7/8" – 22* mm – Glass, 15/16" – 23.3** mm – Stainless steel, DGC: Minimum installation height 36" – 914 mm from floor to the device installation surface



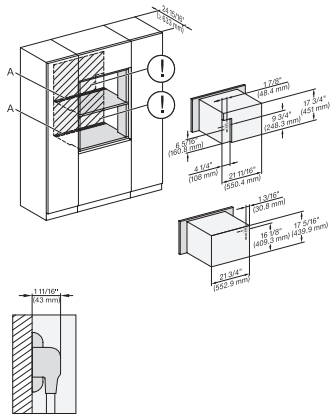
Installation Flush inset, combi, 650S, 450S

7/8" – 22* mm – Glass, 15/16" – 23.3** mm – Stainless steel, DGC: Minimum installation height 36" – 914 mm from floor to the device installation surface,

H 7240 BM AM

24" compact speed oven

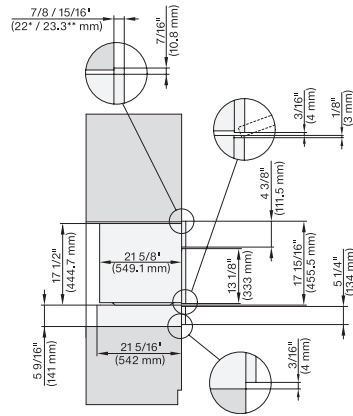
in a perfectly combinable design with automatic programs and combi modes.



DGC7xxx+EBA7848, H7x40BM (+EBA7848),

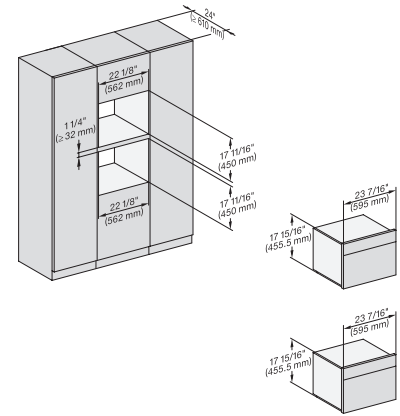
Installation, 30 Zoll, Flushinset, combi, XL, 450S

A – Cut-out (4" x 28" / 100 mm x 720 mm) in the bottom of the cabinet for power cord and ventilation, – Electrical and water supplies are recommended to be placed in adjacent cabinetry, Additional cabinet depth is required when placing the electrical and water supplies behind the appliance., E = Electric connection



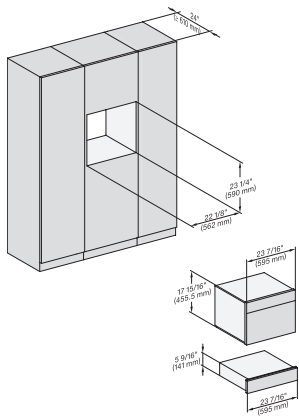
side view, Proud, combi, 450S ESW

7/8" – 22* mm – Glass, 15/16" – 23.3** mm – Stainless steel



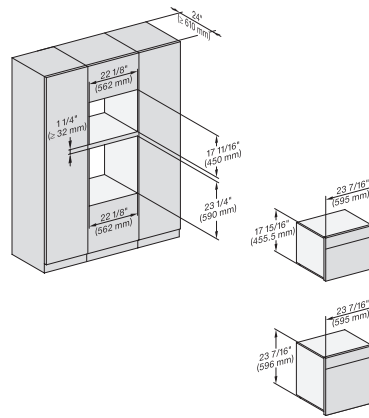
Installation Proud, combi, 450S

DGC: Minimum installation height 36" – 914 mm from floor to the device installation surface



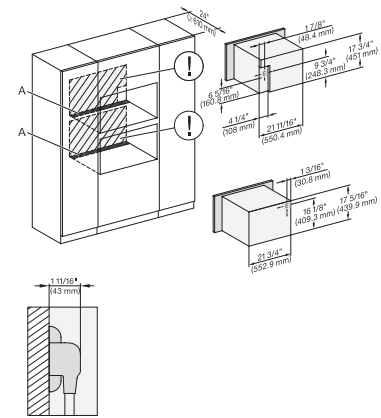
Installation Proud, combi, 450S ESW

DGC: Minimum installation height 36" – 914 mm from floor to the device installation surface



Installation Proud, combi, 650S, 450S

DGC: Minimum installation height 36" – 914 mm from floor to the device installation surface



DGC7x4(+EBA7848), H7x40BM(+EBA7848),

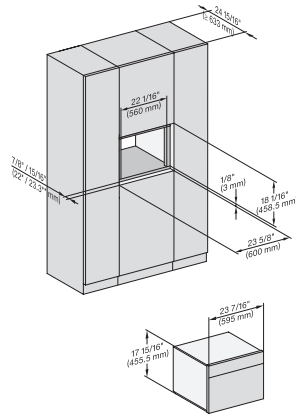
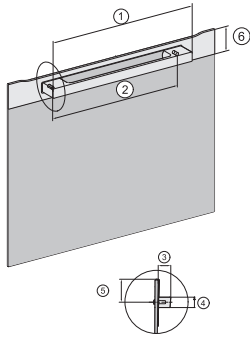
Installation, 30 Zoll, Proud, combi, XL, 450S

A – Cut-out (4" x 28" / 100 mm x 720 mm) in the bottom of the cabinet for power cord and ventilation, – Electrical and water supplies are recommended to be placed in adjacent cabinetry, Additional cabinet depth is required when placing the electrical and water supplies behind the appliance., E = Electric connection

H 7240 BM AM

24" compact speed oven

in a perfectly combinable design with automatic programs and combi modes.



Handle H72xx, H76xx, H78xx, PureLine – NA7000 -
Installation drawing

H2880BP, H7270BM, H7670BM, H7870BM, H7280BP,
H7680BP, H7880BP, H7880BP2.; [2] 19 11/16" /
500 mm, [2] 17 1/2" / 444 mm, [2] 17/8" / 47 mm,
[2] 15/16" / 24 mm, [2] 1 1/4" / 32,5 mm, [2] 2 9/16" /
65 mm, , H7240BM, H7640BM, H7840BM, H7263BP,
H7660BP.; [2] 15 3/4" / 400 mm, [2] 14 3/16" / 360 mm,
[2] 17/8" / 47 mm, [2] 15/16" / 24 mm, [2] 1 1/4" /
32,5 mm, [2] 2 9/16" / 65 mm

installation Flush inset 450S, installation drawing, NA

7/8" – 22* mm – Glass, 15/16" – 23.3** mm – Stainless
steel, DGC: Minimum installation height 36" – 914 mm
from floor to the device installation surface