

H 7240 BM AM

24" compact speed oven

in a perfectly combinable design with automatic programs and combi modes.



- Clear-text display with sensor controls – DirectSensor S
- Easy cleaning – cavity with linen-weave pattern & PerfectClean
- Faster and more consistent results – Quick & Gentle
- Network-enabled WiFi appliance – Miele@home
- What you want is just a button away – Quick MW and Popcorn button

EAN: 4002516484561 / Material number: 11804520 /
Old Material Number: 22724036USA

| General information | |
|--|-----------------------------|
| Model number | H 7240 BM AM |
| Manufacturer material number | 11804520 |
| EAN number | 4002516484561 |
| Class | Gold |
| Construction type and design | |
| Color | Graphite grey |
| VitroLine | • |
| Construction type and design | |
| Built-in wall speed oven | • |
| User convenience | |
| 3 in 1 | Oven, Microwave, Speed oven |
| Convenience features | |
| Precise oven temperature regulation in °F (°C) | 85-475 (30-250) |
| Quick & Gentle | • |
| Rapid PreHeat | • |
| Operating modes | |
| Defrost | • |
| Convection Bake | • |
| Convection Roast | • |
| Auto roast | • |
| Microwave | • |
| Micro Broil | • |
| Combi Bake | • |
| Combi Broil | • |
| Convection Roast | • |
| Combi Auto Roast | • |
| Maxi Broil | • |
| Gentle Bake | • |
| Automatic programs | • |
| User convenience | |
| Networking with Miele@home | • |
| Control panel | DirectSensor S |
| SoftOpen | • |
| SoftClose | • |
| MultiLingua | • |
| Popcorn function | • |
| Time of day display | • |
| Time synchronization | • |
| Minute minder | • |
| Programming start of cooking duration | • |
| Programming end of cooking duration | • |
| Programmable cooking time | • |
| Actual temperature display | • |
| Audible signal when desired temperature is reached | • |
| Default temperature | • |
| Recommended microwave power | • |

H 7240 BM AM

24" compact speed oven

in a perfectly combinable design with automatic programs and combi modes.



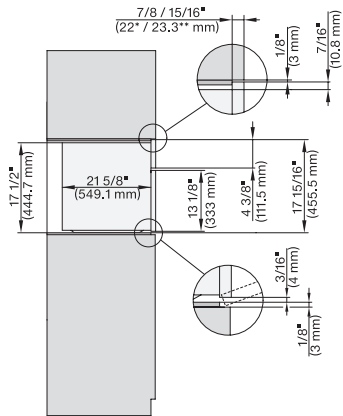
EAN: 4002516484561 / Material number: 11804520 /
Old Material Number: 22724036USA

| | |
|---|--------------|
| Minute Plus button | • |
| Individual settings | • |
| Cleaning convenience | |
| Stainless-steel cavity with linen surface structure | • |
| Foldable broil heater element | • |
| CleanGlass door | • |
| Safety | |
| Appliance cooling system and cool touch front | • |
| Safety cut-out | • |
| System lock | • |
| Technical data | |
| Cavity volume in cu.ft (l) | 1.52 (43) |
| No. of rack levels | 3 |
| Number of shelf levels oven compartment 1 | 3 |
| Number of shelf levels oven compartment 2 | 3 |
| Oven interior lighting | 1 LED spot |
| Electronically controlled microwave power | • |
| Microwave power levels | 1 - 7 |
| Niche width min. in inches (mm) | 22 1/8 (560) |
| Niche width max. in inches (mm) | 22 3/8 (568) |
| Niche height min. in inches (mm) | 17 3/4 (450) |
| Niche height max. in inches (mm) | 17 7/8 (452) |
| Niche depth in in. (mm) | 21 3/4 (550) |
| Appliance width in in. (mm) | 23 1/2 (595) |
| Appliance height in in. (mm) | 18 (456) |
| Appliance depth in in. (mm) | 22 1/2 (571) |
| Weight in lbs. (kg) | 94 (42.5) |
| Weight in lbs. (kg) | 93.7 (42.5) |
| Weight in lbs. (kg) | 94 (42.5) |
| Total connected load in kW | 3.40 |
| Length of power cord in in. (m) | 1.80 |
| Power Rating in V | 120 |
| Voltage in V | 240/208 |
| Frequency in Hz | 60 |
| Fuse rating in A | 30 |
| Number of phases | 1 |
| Neutral conductor | Yes |
| Standard accessories | |
| Wire rack with PerfectClean | 1 |
| Glass tray | 1 |

H 7240 BM AM

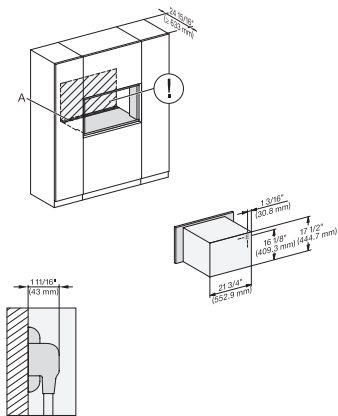
24" compact speed oven

in a perfectly combinable design with automatic programs and combi modes.



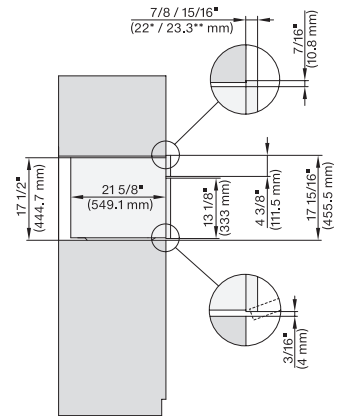
side view 30 inch Flush inset 450S, installation drawing, NA

7/8" – 22* mm – Glas, 15/16" – 23.3** mm – Edelstahl



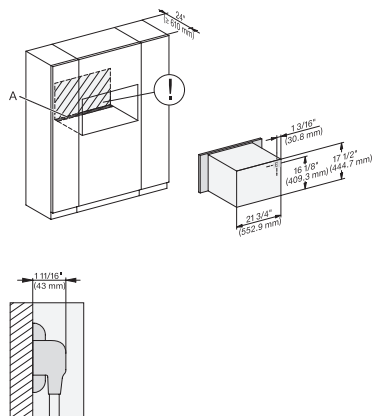
installation 30 inch Flush inset 450S, installation drawing, NA

A – Cut-out (1 9/16" x 11 1/16" / 40 mm x 500 mm) in the bottom of the cabinet for power cord and ventilation, – Electrical and water supplies are recommended to be placed in adjacent cabinetry., Additional cabinet depth is required when placing the electrical and water supplies behind the appliance., E = Electric connection



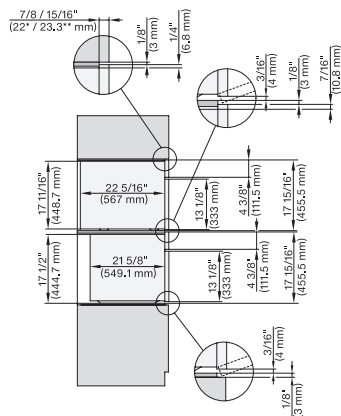
side view 30 inch Proud 450S, installation drawing, NA

7/8" – 22* mm – Glas, 15/16" – 23.3** mm – Edelstahl



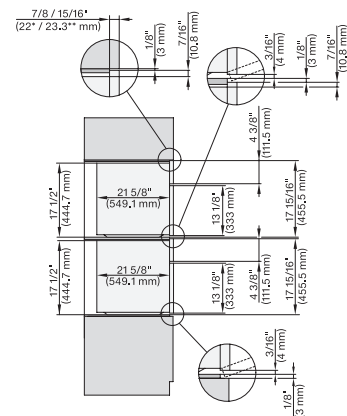
installation 30 inch Proud 450S, installation drawing, NA

A – Cut-out (1 9/16" x 11 1/16" / 40 mm x 500 mm) in the bottom of the cabinet for power cord and ventilation, – Electrical and water supplies are recommended to be placed in adjacent cabinetry., Additional cabinet depth is required when placing the electrical and water supplies behind the appliance., E = Electric connection



DGC 6x00-1 + EBA 6808, H 6x00 BM + EBA 6808, DGC7xxx, H7xxx, EBA7848 Combi, Installation drawing, Flush inset, NA

7/8" – 22* mm – Glas, 15/16" – 23.3** mm – Edelstahl



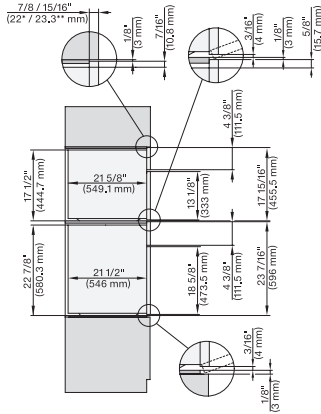
H 6x00 BM + EBA 6808, H7xxx, EBA7848 Combi, Installation drawing, Flush inset, NA

7/8" – 22* mm – Glas, 15/16" – 23.3** mm – Edelstahl

H 7240 BM AM

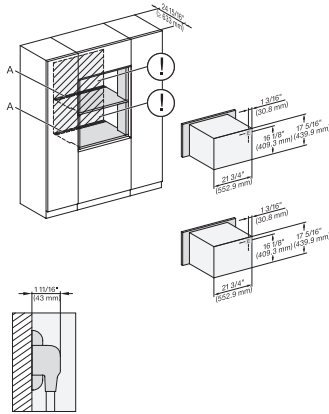
24" compact speed oven

in a perfectly combinable design with automatic programs and combi modes.



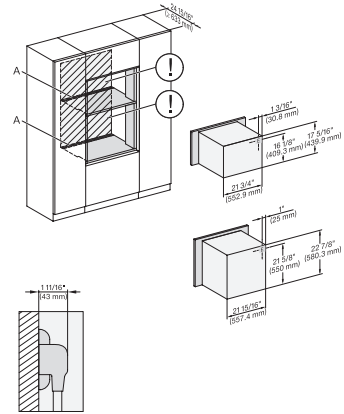
H 6560 B + EBA 6808, H 6x60 BP + EBA 6808, H 6x00 BM + EBA 6808, H 7xxx, EBA 78x8 Combi, Install drawing, Flush inset, NA

7/8" – 22* mm – Glas, 15/16" – 23.3** mm – Edelstahl



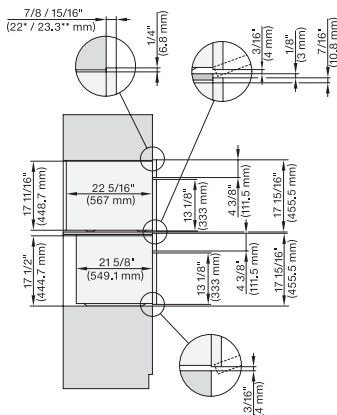
H 6x00 BM + EBA 6808, H 7x40BM, EBA 7848 Installation Combi, Installation drawing, Flush inset, NA

A – Cut-out (4" x 28" / 100 mm x 720 mm) in the bottom of the cabinet for power cord and ventilation, – Electrical and water supplies are recommended to be placed in adjacent cabinetry, Additional cabinet depth is required when placing the electrical and water supplies behind the appliance, E = Electric connection



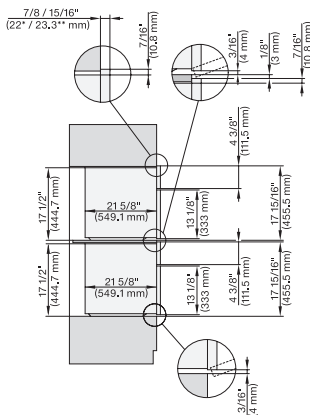
H 6560 B + EBA 6808, H 6x60 BP + EBA 6808, H 6x00 BM, H 7xxx, EBA 78x8, Install drawing, Flush inset, NA

A – Cut-out (4" x 28" / 100 mm x 720 mm) in the bottom of the cabinet for power cord and ventilation, – Electrical and water supplies are recommended to be placed in adjacent cabinetry, Additional cabinet depth is required when placing the electrical and water supplies behind the appliance, E = Electric connection



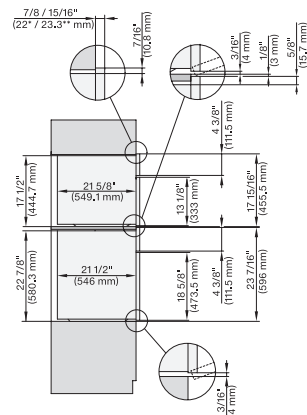
DGC 6x00-1 + EBA6808, H 6x00 BM+EBA 6808, DGC7x4x(+EBA7848), H7x40BM(+EBA7848), Combi, Install drawing, Proud, NA

7/8" – 22* mm – Glas, 15/16" – 23.3** mm – Edelstahl



H 6x00 BM + EBA 6808, H7x40BM(+EBA7848), Combi, Install drawing, Proud, NA

7/8" – 22* mm – Glas, 15/16" – 23.3** mm – Edelstahl



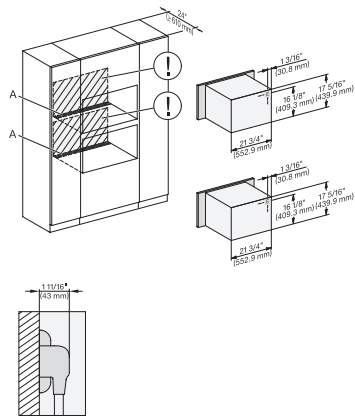
H 6560 B + EBA 6808, H 6x60 BP + EBA 6808, H 6x00 BM + EBA 6808, H7xxx+EBA7x7x, Combi, Install drawing, Proud, NA

7/8" – 22* mm – Glas, 15/16" – 23.3** mm – Edelstahl

H 7240 BM AM

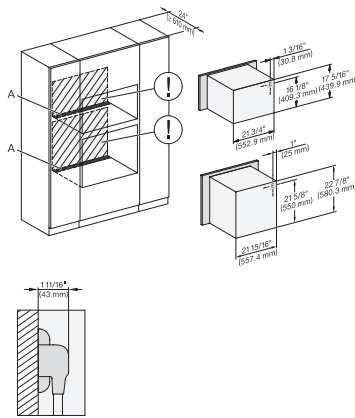
24" compact speed oven

in a perfectly combinable design with automatic programs and combi modes.



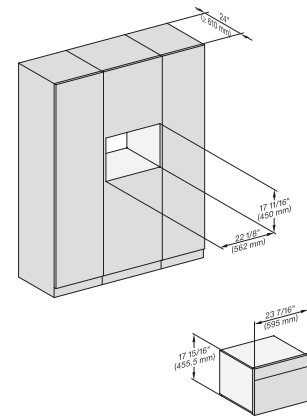
H 6x00 BM + EBA 6808, H7x40BM(+EBA7848), NA7000 Installation Combi, Installation drawing, Proud, NA

A – Cut-out (4" x 28" / 100 mm x 720 mm) in the bottom of the cabinet for power cord and ventilation, – Electrical and water supplies are recommended to be placed in adjacent cabinetry, Additional cabinet depth is required when placing the electrical and water supplies behind the appliance, E = Electric connection

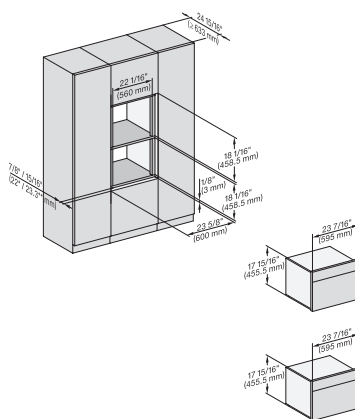


H 6560 B + EBA 6808, H 6x60 BP + EBA6808, H6x00BM + EBA6808, NA7000 Installation Combi, Installation drawing, Proud, NA

A – Cut-out (4" x 28" / 100 mm x 720 mm) in the bottom of the cabinet for power cord and ventilation, – Electrical and water supplies are recommended to be placed in adjacent cabinetry, Additional cabinet depth is required when placing the electrical and water supplies behind the appliance, E = Electric connection

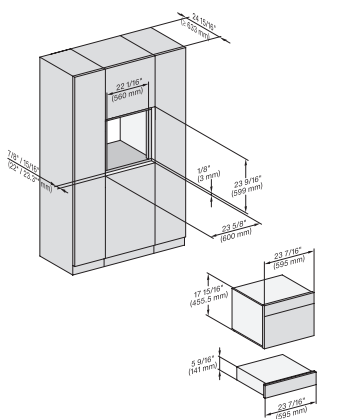


installation Proud 450S, installation drawing, NA



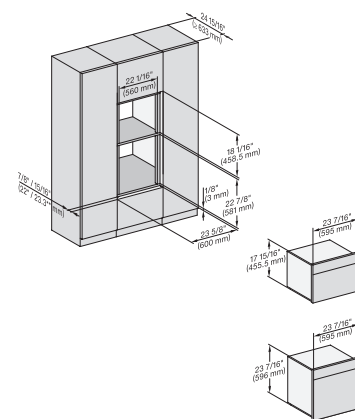
Installation Flush inset combi 450S

7/8" – 22* mm – Glass, 15/16" – 23.3** mm – Stainless steel, DGC: Minimum installation height 36" – 914 mm from floor to the device installation surface



Einbau, Flush inset, combi, 450S, ESW

7/8" – 22* mm – Glass, 15/16" – 23.3** mm – Stainless steel, DGC: Minimum installation height 36" – 914 mm from floor to the device installation surface



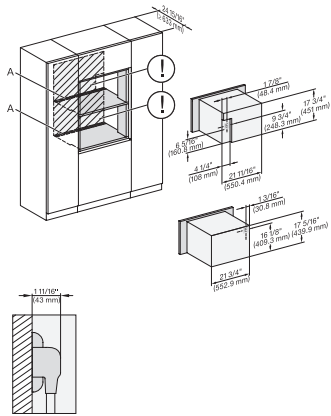
Installation Flush inset, combi, 650S, 450S

7/8" – 22* mm – Glass, 15/16" – 23.3** mm – Stainless steel, DGC: Minimum installation height 36" – 914 mm from floor to the device installation surface,

H 7240 BM AM

24" compact speed oven

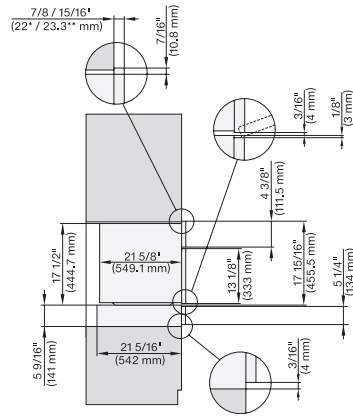
in a perfectly combinable design with automatic programs and combi modes.



DGC7xxx+EBA7848, H7x40BM (+EBA7848),

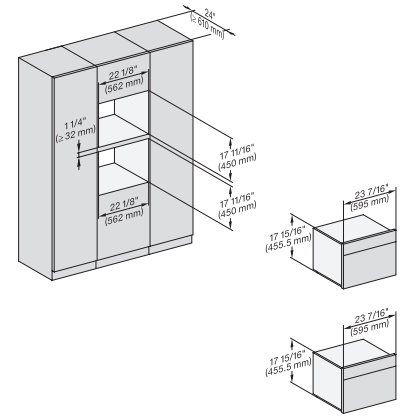
Installation, 30 Zoll, Flushinset, combi, XL, 450S

A – Cut-out (4" x 28" / 100 mm x 720 mm) in the bottom of the cabinet for power cord and ventilation, – Electrical and water supplies are recommended to be placed in adjacent cabinetry, Additional cabinet depth is required when placing the electrical and water supplies behind the appliance., E = Electric connection



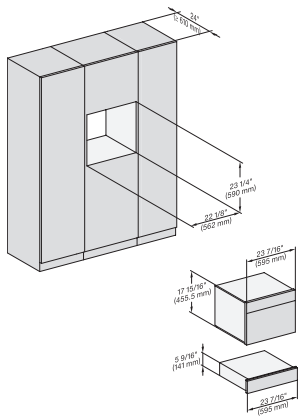
side view, Proud, combi, 450S ESW

7/8" – 22* mm – Glass, 15/16" – 23.3** mm – Stainless steel



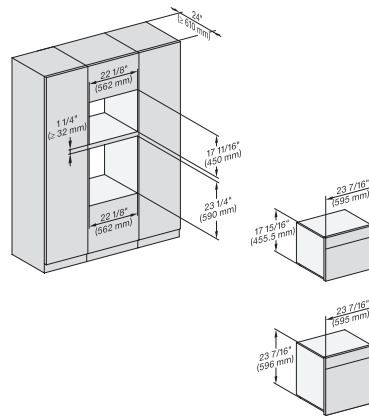
Installation Proud, combi, 450S

DGC: Minimum installation height 36" – 914 mm from floor to the device installation surface



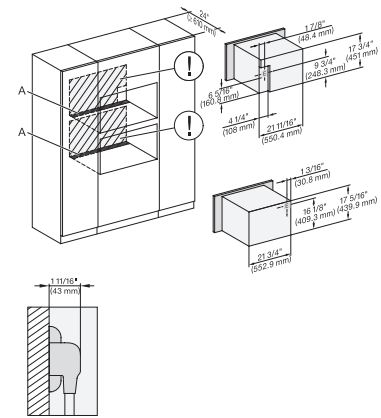
Installation Proud, combi, 450S ESW

DGC: Minimum installation height 36" – 914 mm from floor to the device installation surface



Installation Proud, combi, 650S, 450S

DGC: Minimum installation height 36" – 914 mm from floor to the device installation surface



DGC7x4(+EBA7848), H7x40BM(+EBA7848),

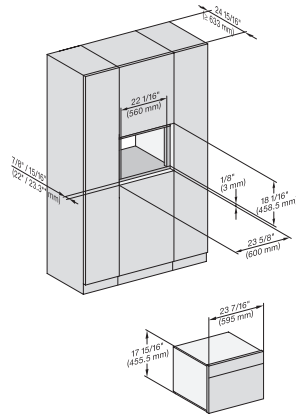
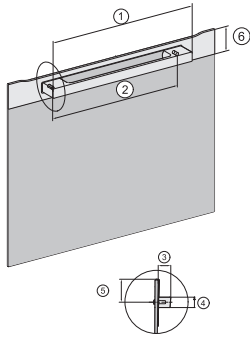
Installation, 30 Zoll, Proud, combi, XL, 450S

A – Cut-out (4" x 28" / 100 mm x 720 mm) in the bottom of the cabinet for power cord and ventilation, – Electrical and water supplies are recommended to be placed in adjacent cabinetry, Additional cabinet depth is required when placing the electrical and water supplies behind the appliance., E = Electric connection

H 7240 BM AM

24" compact speed oven

in a perfectly combinable design with automatic programs and combi modes.



Handle H72xx, H76xx, H78xx, PureLine – NA7000 -
Installation drawing

H2880BP, H7270BM, H7670BM, H7870BM, H7280BP,
H7680BP, H7880BP, H7880BP2.; [2] 19 11/16" /
500 mm, [2] 17 1/2" / 444 mm, [2] 17/8" / 47 mm,
[2] 15/16" / 24 mm, [2] 1 1/4" / 32,5 mm, [2] 2 9/16" /
65 mm, , H7240BM, H7640BM, H7840BM, H7263BP,
H7660BP.; [2] 15 3/4" / 400 mm, [2] 14 3/16" / 360 mm,
[2] 1 7/8" / 47 mm, [2] 15/16" / 24 mm, [2] 1 1/4" /
32,5 mm, [2] 2 9/16" / 65 mm

installation Flush inset 450S, installation drawing, NA

7/8" – 22* mm – Glass, 15/16" – 23.3** mm – Stainless
steel, DGC: Minimum installation height 36" – 914 mm
from floor to the device installation surface