

H 7280 BP
30 Inch Convection Oven
with clear text display, connectivity, and Self Clean.



- Clear-text display with sensor controls – DirectSensor S
- Minimal cleaning effort – Self-cleaning
- Achieve perfect results with ease – Automatic programs
- Unlimited possibilities – volume of 4.59 cu. ft. on 6 levels
- Network-enabled WiFi appliance – Miele@home

EAN: 4002516487425 / Material number: 11805520 /
Old Material Number: 22728035USA

General information	
Model number	H 7280 BP
Manufacturer material number	11805520
EAN number	4002516487425
Marketing class	Gold
Construction type and design	
VitroLine	•
Construction type and design	
Built-in wall oven	•
Color	Graphite grey
Convenience features	
Precise oven temperature regulation in °F (°C)	85-575 (30-300)
Rapid PreHeat	•
Operating modes	
Defrost	•
Auto roast	•
Broil	•
Intensive	•
Surround	•
Bake	•
Convection Roast	•
Maxi Broil	•
Broiling operating modes	•
Automatic programs	•
User convenience	
Networking with Miele@home	•
Control panel	DirectSensor S
SoftOpen	•
SoftClose	•
MultiLingua	•
Time of day display	•
Time synchronization	•
Minute minder	•
Programming start of cooking duration	•
Programming end of cooking duration	•
Programmable cooking time	•
Actual temperature display	•
Audible signal when desired temperature is reached	•
Default temperature	•
Individual settings	•
Cleaning convenience	
Self-cleaning	•
CleanGlass door	•
Safety	
Appliance cooling system and cool touch front	•
Safety cut-out	•
System lock	•
Door lock during self cleaning	•

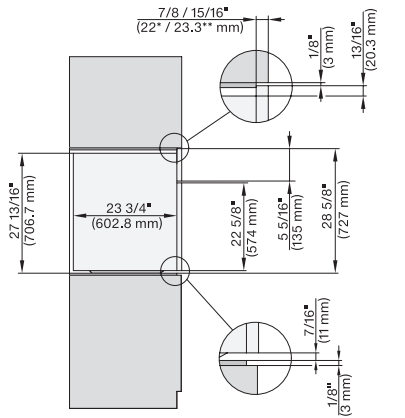
H 7280 BP
30 Inch Convection Oven
with clear text display, connectivity, and Self Clean.



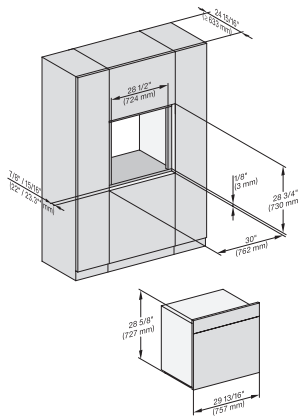
EAN: 4002516487425 / Material number: 11805520 /
Old Material Number: 22728035USA

Technical data	
Cavity volume in cu.ft (l)	4.59 (130)
No. of rack levels	6
Labeling of rack levels	•
Oven interior lighting	2 halogen spots
TwinPower hot air fans	•
Plug type	NEMA plug: 14–30
Niche width min. in inches (mm)	28 5/8 (724)
Niche width max. in inches (mm)	28 5/8 (724)
Niche height min. in inches (mm)	28 3/8 (718)
Niche height max. in inches (mm)	28 3/8 (718)
Niche depth in in. (mm)	24 1/8 (610)
Weight in lbs. (kg)	185 (83.7)
Weight in lbs. (kg)	184.53 (83.7)
Weight in lbs. (kg)	185 (83.7)
Total connected load in kW	6.50
Length of power cord in in. (m)	1.80
Power Rating in V	120
Voltage in V	240/208
Frequency in Hz	60
Fuse rating in A	30
Number of phases	1
Connection wire with plug	•
Standard accessories	
Universal tray with PerfectClean	1
Self Clean ready baking and roasting rack	1
Self Clean ready wire rack with rail system	1
Removable Self Clean-ready side racks (pair)	1
Available display languages	
Available display languages via MultiLingua	[?][?][?][?][?][?][?][?][?][?], [?][?], [?] [?][?][?], deutsch, dansk, english, suomi, français, ελληνικά, italiano, [?][?][?], [?][?][?], hrvatski, bahasa malaysia, nederlands, norsk, polski, portugês, română, русский, svenska, srpski, slovenčina, slovenščina, español, čeština, türkçe, українська, magyar

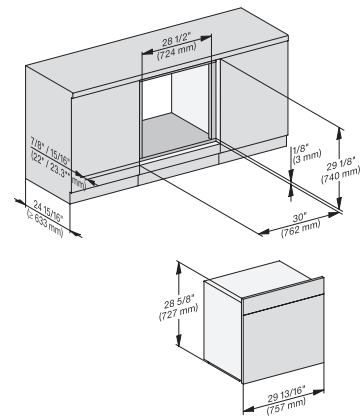
H 7280 BP 30 Inch Convection Oven with clear text display, connectivity, and Self Clean.



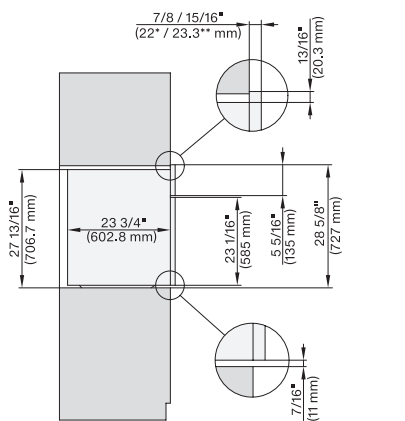
side view 30 inch Flush inset, installation drawing, NA
7/8" – 22* mm – Glas, 15/16" – 23.3** mm – Edelstahl



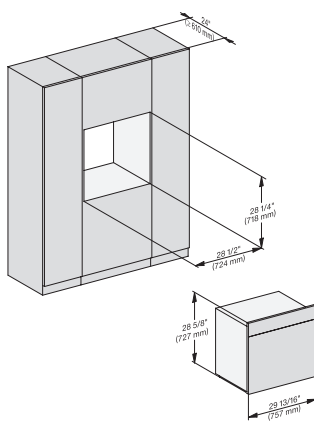
installation 30 inch Flush inset, installation drawing, NA
7/8" – 22* mm – Glas, 15/16" – 23.3** mm – Edelstahl



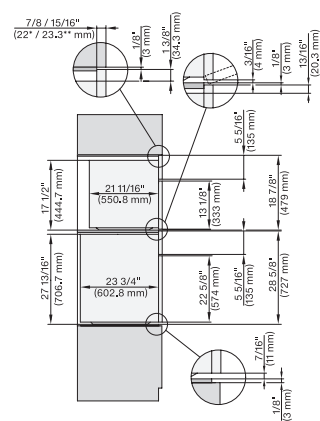
installation 30 inch Flush inset built-under, installation drawing, NA
7/8" – 22* mm – Glas, 15/16" – 23.3** mm – Edelstahl



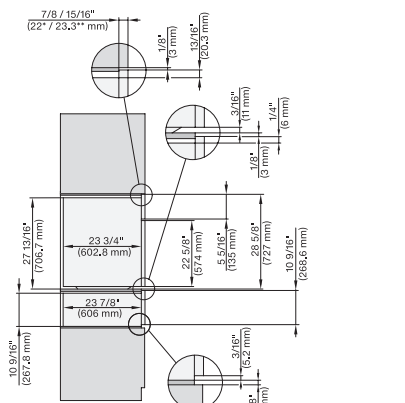
side view 30 inch Proud, installation drawing, NA
7/8" – 22* mm – Glas, 15/16" – 23.3** mm – Edelstahl



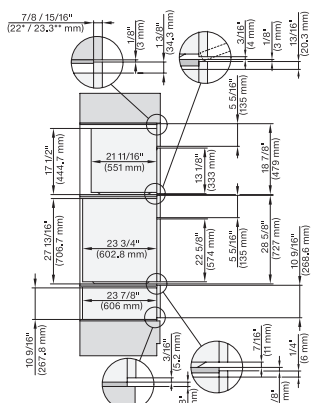
installation 30 inch Proud, installation drawing, NA



H 6x80 BP, H 6x70 BM, H 6x80-2BP, DGC 7x7x, H 7xxx Combi, Installation drawing, Flush inset, NA
7/8" – 22* mm – Glas, 15/16" – 23.3** mm – Edelstahl

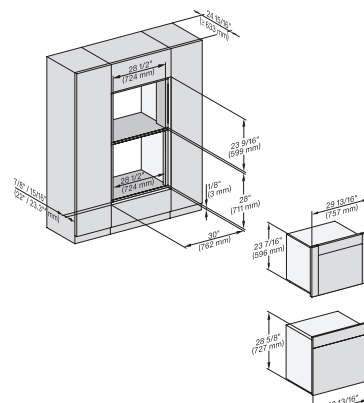


H 6x80 BP, ESW 6x80, H 6x80-2BP, H2x80, H7x80m ESW7x80 Combi, Installation drawing, Flush inset, NA
7/8" – 22* mm – Glas, 15/16" – 23.3** mm – Edelstahl



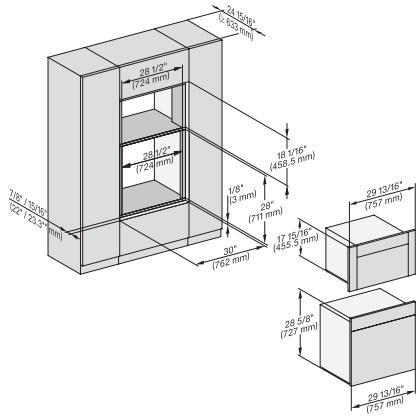
H 6x80 BP, H 6x70 BM, ESW 6x80, H 6x80-2BP, DGC7xxx, H 7xxx, ESW7x80 Combi, Installation drawing, Flush inset, NA

7/8" – 22* mm – Glas, 15/16" – 23.3** mm – Edelstahl

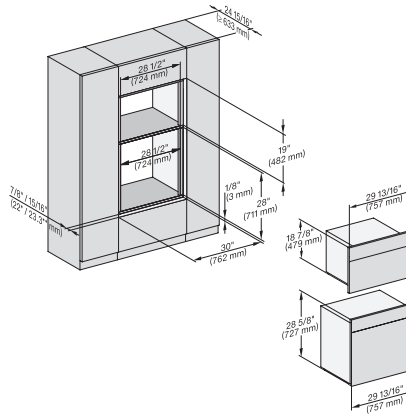


DGC 6x6x(AM)+EBA 680B, H 6x80 BP, H 6x80-2BP, DGC786x, EBA786B, H7xxx, Fitting Combi, Install. drawing, Flush inset, NA

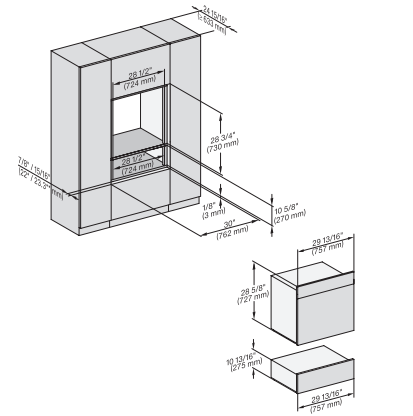
H 7280 BP 30 Inch Convection Oven with clear text display, connectivity, and Self Clean.



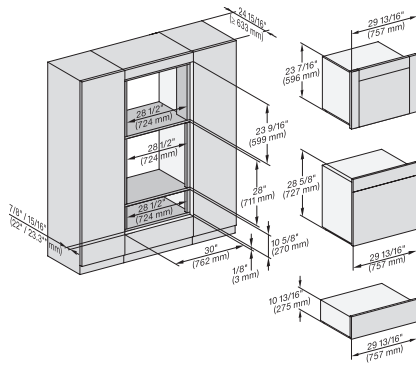
H 6x80, H 6x00 + EBA 6808, DGC 6x00-1, H 6x80, DGC7x7x, EBA7848, H7x8x Fitting Combi, Install drawing, Flush inset, NA



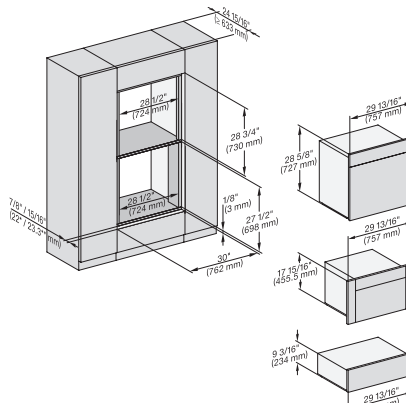
H 6x80 BP, H 6x70 BM, H 6x80-2BP, DGC7x7x, H7xxx Fitting Combi, Installation drawing, Flush inset, NA



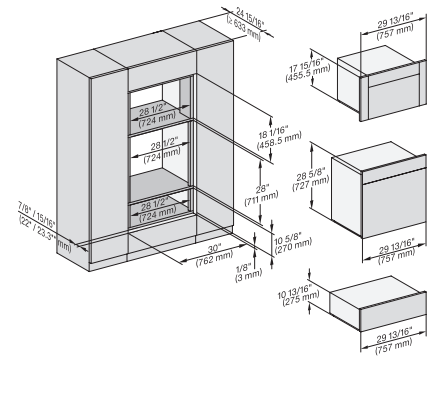
H 6x80 BP, ESW 6x80, H 6x80-2BP, H7x8x, ESW7x80, H 2x8x Fitting Combi, Installation drawing, Flush inset, NA



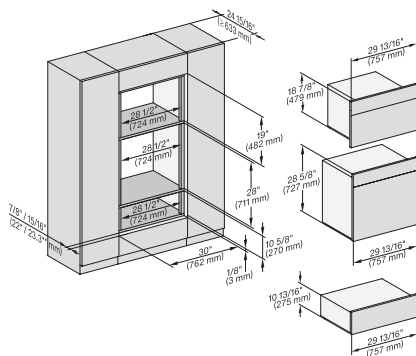
DGC6x6x (AM)+EBA6808, H 6x80, ESW 6x80, H 6x80-2, DGC786x, EBA7868, H 7x80, Fitting Combi, Install draw, Flush inset, NA



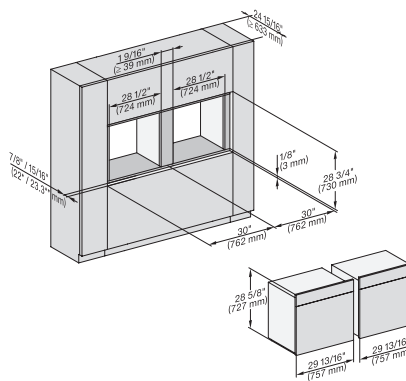
H 6x80 BP, H 6x00 BM + EBA 6808, ESW 6x85, DGC 6x00-1, H 6x80-2BP, Fitting Combi, H 7x40BM, ESW 7x70, Flush inset, NA



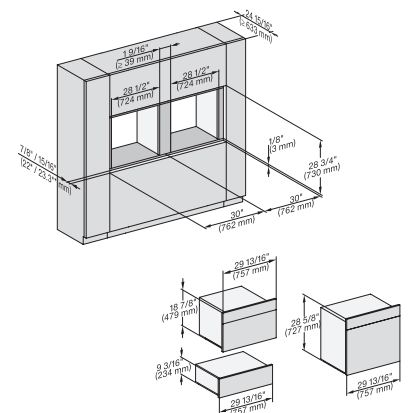
H 6x80 BP, H 6x00 BM + EBA 6808, ESW 6x80, DGC 6x00-1, H 6x80-2BP, DGC7x40, EBA 7848, H2880BP, H7x80BP, Flush inset, NA



H 6x80 BP, H 6x70 BM, ESW 6x80, H 6x80-2BP, DGC7xxx, H7xxxBM/BM/BP/BPX, H2x80BP, ESW7x80, Installation drawing, NA

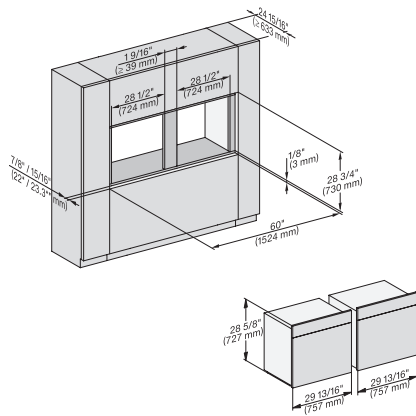


H 6x80 BP, H 6x80-2BP, H 2x80BP, H 7x80BP/BPX Fitting Combi side by side, Installation drawing, Flush inset, NA

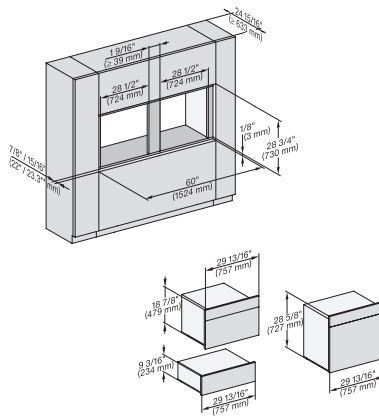


H 6x80BP, H 6x70 BM, ESW 6x85, H 6x80-2BP, H7xxx BM/BP/BPX, ESW7x70, EVS7670, Installation drawing, Flush inset, NA

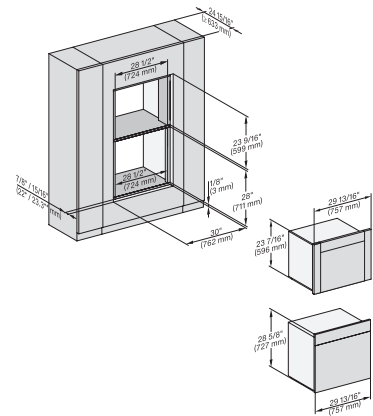
H 7280 BP 30 Inch Convection Oven with clear text display, connectivity, and Self Clean.



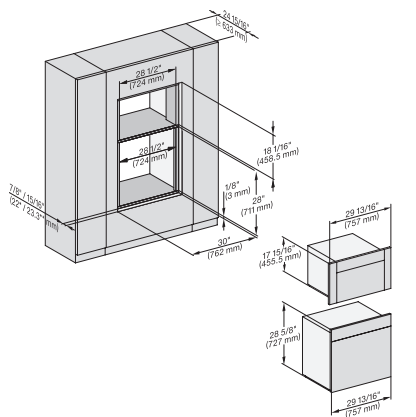
H 6x80 BP, H 6x80-2BP, H 2x80BP, H7x80BP/BPX, Installation drawing, Flush inset, NA



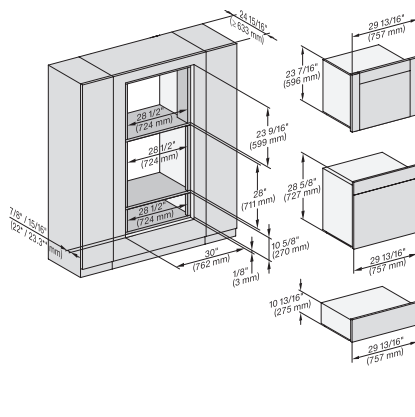
H 6x80 BP, H 6x70 BM, ESW 6x85, H 6x80-2BP, H 7xxx BP/BM/BPX/BMX, EXX 7x70 Fitting Combi side by side without wall, NA



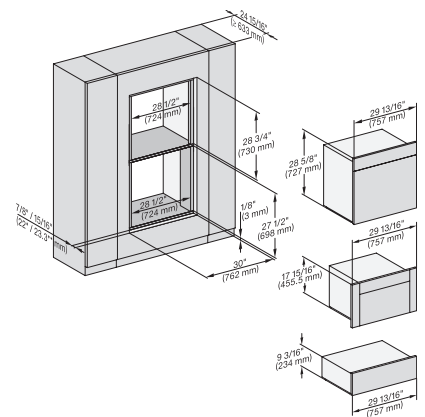
DGC 6x6x (AM) + EBA 6808, H 6x80 BP, H 6x80-2BP, DGC 786x, EBA 7868, H2880BP, H7x80BP/BPX, Fitting Combi wide front, NA



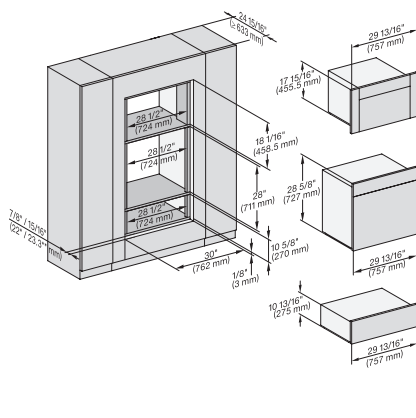
H 6x80 BP, H 6x00 BM, EBA 6808, DGC 6x00-1, H 6x80-2BP, DGC 7x4x, EBA 7848, H 7x80BP, H 2880BP, Flush inset, NA



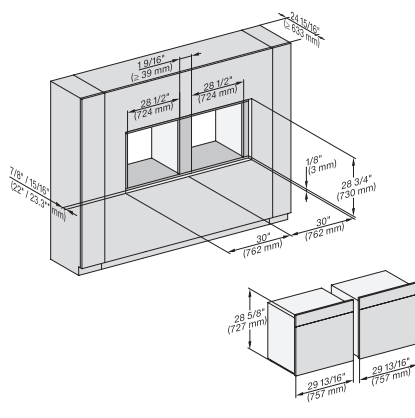
DGC 6x6x (AM) + EBA 6808, H 6x80 BP, ESW 6x80, H 6x80-2BP, DGC 786x, EBA 7868, H7x80BP/BPX, ESW 7x80, Flush inset, NA



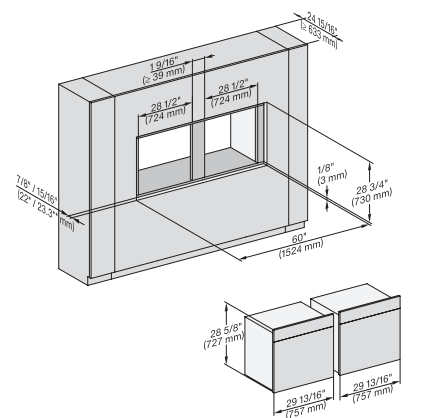
H 6x80 BP, H 6x00 BM + EBA 6808, ESW 6x85, DGC 6x00 + EBA 6808, H 6x80-2BP, H2880BP, H7xxxBM/BP/BPX, ESW7x70 NA



H 6x80 BP, H 6x00 BM + EBA 6808, ESW 6x80, DGC 6x00, H 6x80-2BP, DGC7x4x, EBA7848, H2880BP, H7x80BP, ESW7x80, NA

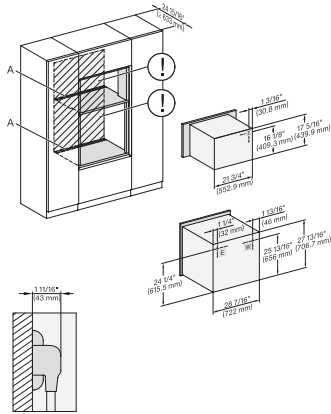


H 6x80 BP, H 6x80-2BP, H 2x8xBP, H 7x80 BP/BPX Fitting Combi wide front side by side, Install. drawing, Flush inset, NA



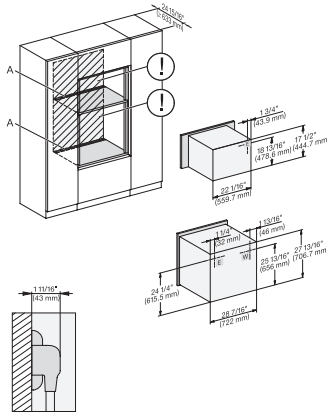
H 6x80 BP, H 6x80-2BP, H 2x80BP, G 7x80 BP/BX, Installation drawing, Flush inset, NA

H 7280 BP 30 Inch Convection Oven with clear text display, connectivity, and Self Clean.



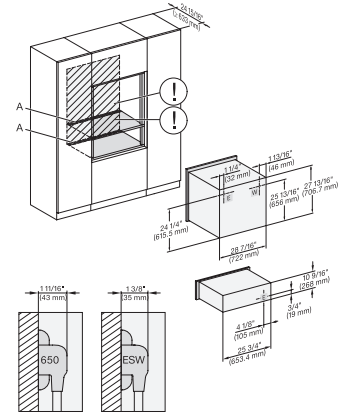
H 6x80 BP, H 6x00 BM + EBA 6808, H 6x80-2BP, H7xxx BM/BP/BPX, EBA 7848, Installation drawing, Flush inset, NA

A – Cut-out (4" x 28" / 100 mm x 720 mm) in the bottom of the cabinet for power cord and ventilation, – Electrical and water supplies are recommended to be placed in adjacent cabinetry, Additional cabinet depth is required when placing the electrical and water supplies behind the appliance, E = Electric connection



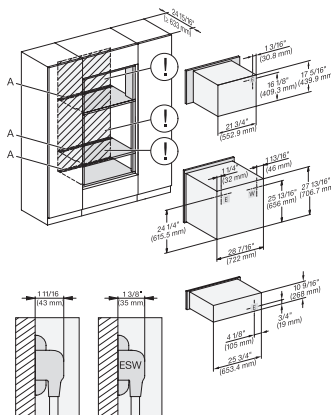
H 6x80 BP, H 6x70 BM, H 6x80-2BP, H 7xxx BM/BMX/BP/BPX, H 2x90BP Installation drawing, Flush inset, NA

A – Cut-out (4" x 28" / 100 mm x 720 mm) in the bottom of the cabinet for power cord and ventilation, – Electrical and water supplies are recommended to be placed in adjacent cabinetry, Additional cabinet depth is required when placing the electrical and water supplies behind the appliance., E = Electric connection



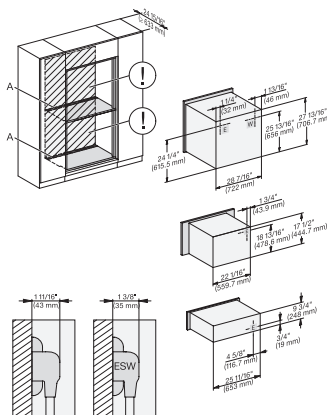
H 6x80 BP, ESW 6x80, H 6x80-2BP, H 2x80BP, H 7xxx BP/BPX, ESW 7x80 Installation drawing, Flush inset, NA

A – Cut-out (4" x 28" / 100 mm x 720 mm) in the bottom of the cabinet for power cord and ventilation, – Electrical and water supplies are recommended to be placed in adjacent cabinetry, Additional cabinet depth is required when placing the electrical and water supplies behind the appliance, E = Electric connection



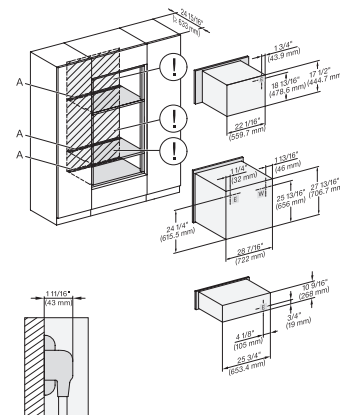
H 6x80 BP, H 6x00 BM + EBA 6808, H 6x80-2BP, H 7xxxBM/BP/BPC, EBA 7848, ESW 7x80, Installation drawing, Flush inset, NA

A – Cut-out (4" x 28" / 100 mm x 720 mm) in the bottom of the cabinet for power cord and ventilation, – Electrical and water supplies are recommended to be placed in adjacent cabinetry, Additional cabinet depth is required when placing the electrical and water supplies behind the appliance, E = Electric connection



H 6x80 BP, H 6x70 BM, ESW 6x85, H 6x80-2BP, H2880BP, H7xxxBP/BPX/BM/BMX, Exx7670, Installation drawing, Flush inset, NA

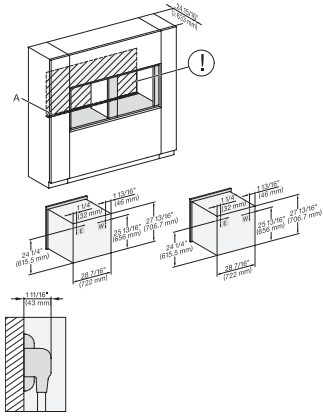
A – Cut-out (4" x 28" / 100 mm x 720 mm) in the bottom of the cabinet for power cord and ventilation, – Electrical and water supplies are recommended to be placed in adjacent cabinetry, Additional cabinet depth is required when placing the electrical and water supplies behind the appliance., E = Electric connection



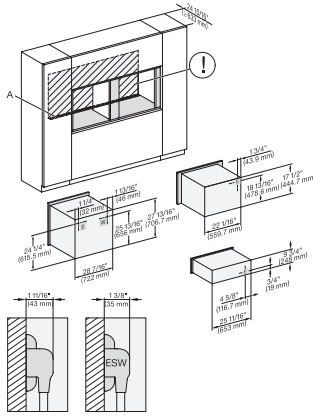
H 6x80BP, H 6x70 BM, ESW 6x80, H 6x80-2BP, H 2880BP, H 7xxxBP/BPX/BM/BMX, ESW 7x80 Installation drawing, Flush inset, NA

A – Cut-out (4" x 28" / 100 mm x 720 mm) in the bottom of the cabinet for power cord and ventilation, – Electrical and water supplies are recommended to be placed in adjacent cabinetry, Additional cabinet depth is required when placing the electrical and water supplies behind the appliance., E = Electric connection

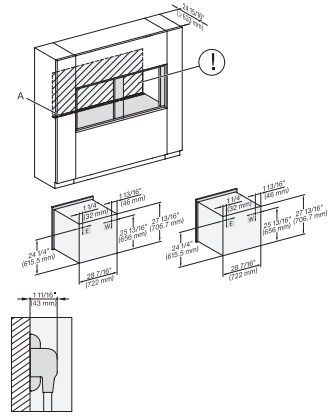
H 7280 BP 30 Inch Convection Oven with clear text display, connectivity, and Self Clean.



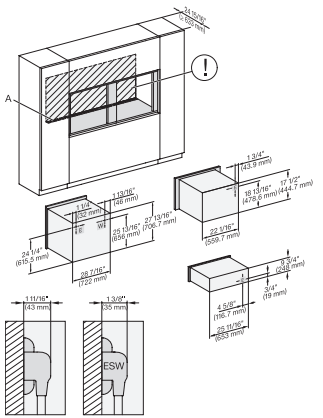
H 6x80 BP, H 6x80-2BP, H2x80BP, H7x80BP/BPX Combi, side by side, Installation drawing, Flush inset, NA
A – Cut-out (4" x 28" / 100 mm x 720 mm) in the bottom of the cabinet for power cord and ventilation, – Electrical and water supplies are recommended to be placed in adjacent cabinetry, Additional cabinet depth is required when placing the electrical and water supplies behind the appliance., E = Electric connection



H 6x80BP, H 6x70BM, ESW 6x85, H 6x80-2BP, H2x80BP, H 7x80BP/BPX, ESW 7x70, EVS7670, Install. drawing, Flush inset, NA
A – Cut-out (4" x 28" / 100 mm x 720 mm) in the bottom of the cabinet for power cord and ventilation, – Electrical and water supplies are recommended to be placed in adjacent cabinetry, Additional cabinet depth is required when placing the electrical and water supplies behind the appliance., E = Electric connection

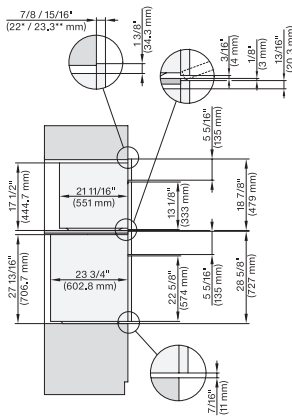


H 6x80 BP, H 6x80-2BP, H2x80BP/BPX, H 7x80BP/BPX, Installation drawing, Flush inset, NA
A – Cut-out (4" x 28" / 100 mm x 720 mm) in the bottom of the cabinet for power cord and ventilation, – Electrical and water supplies are recommended to be placed in adjacent cabinetry, Additional cabinet depth is required when placing the electrical and water supplies behind the appliance., E = Electric connection



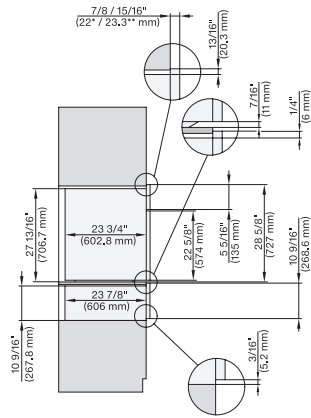
H 6x80 BP, H 6x70 BM, ESW 6x85, H 6x80-2BP, H 2x80BP, H 7x80BP/BPX, ESW 7x70, EVS 7670, drawing, Flush inset, NA

A – Cut-out (4" x 28" / 100 mm x 720 mm) in the bottom of the cabinet for power cord and ventilation, – Electrical and water supplies are recommended to be placed in adjacent cabinetry, Additional cabinet depth is required when placing the electrical and water supplies behind the appliance., E = Electric connection



H 6x80 BP, H 6x70 BM, H 6x80-2BP, DGC7x7x, H7x70BM, H7x80BPX, Combi, Installation drawing, Proud, NA

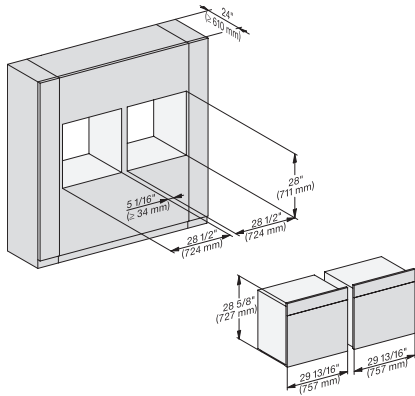
7/8" – 22* mm – Glas, 15/16" – 23.3** mm – Edelstahl



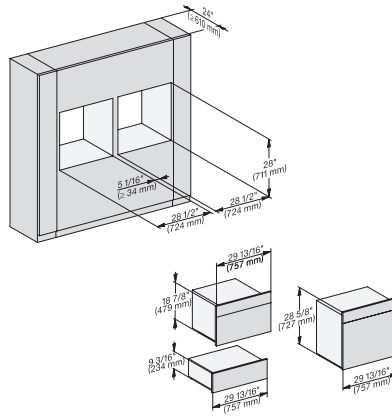
H 6x80 BP, ESW 6x80, H 6x80-2BP, H2x80BP, H7x80BP(X), ESW7x80, Combi, Installation drawing, Proud, NA

7/8" – 22* mm – Glas, 15/16" – 23.3** mm – Edelstahl

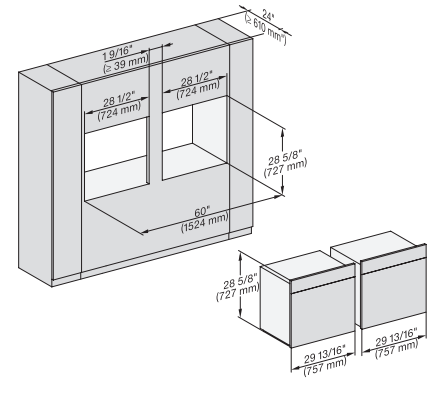
H 7280 BP 30 Inch Convection Oven with clear text display, connectivity, and Self Clean.



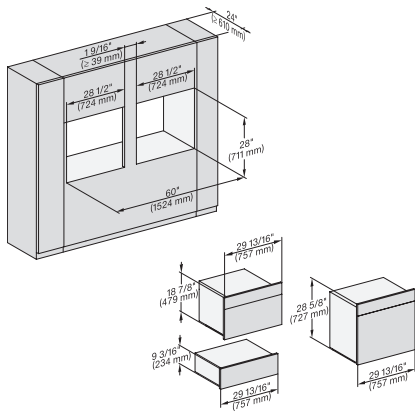
H 6x80 BP, H 6x80-2BP, NA7000, Fitting Combi side by side, Installation drawing, Proud, NA



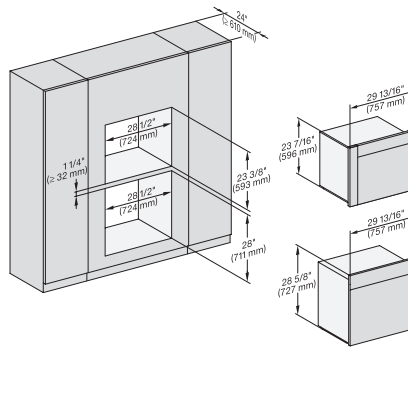
H 6x80 BP, H 6x70 BM, ESW 6x85, H 6x80-2BP, NA7000, Fitting Combi side by side, Installation drawing, Proud, NA



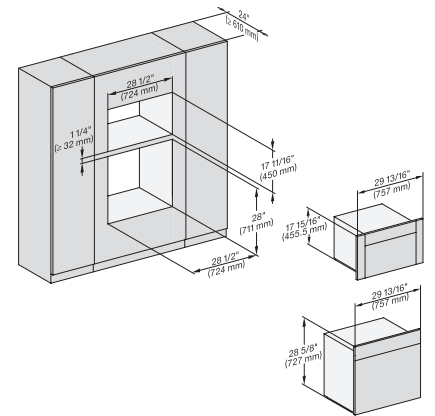
H 6x80 BP, H 6x80-2BP, NA7000 Fitting Combi side by side without wall, Installation drawing, Proud, NA



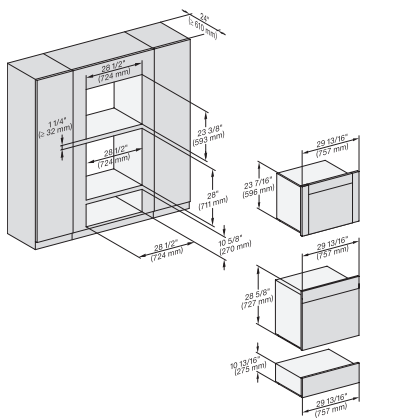
H6x80BP, H6x70BM, ESW6x85, H6x80-2BP, NA7000, Fitting Combi side by side without wall, Installation drawing, Proud, NA



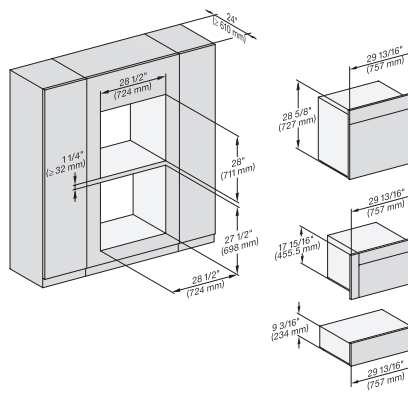
DGC 6x6x (AM) + EBA 6808, H 6x80 BP, H 6x80-2BP, NA7000, Fitting Combi wide front, Installation drawing, Proud, NA



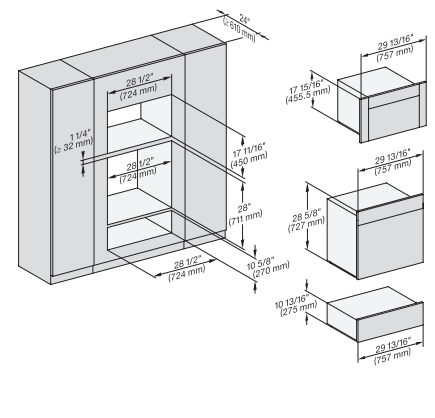
H6x80BP, (H6x00BM, DGC6x00-1) + EBA6808, H6x80-2BP, NA7000, Fitting Combi wide front, Installation drawing, Proud



DGC 6x6x (AM) + EBA 6808, H 6x80 BP, ESW 6x80, H 6x80-2BP, NA7000 Fitting Combi wide front, Installation drawing, Proud

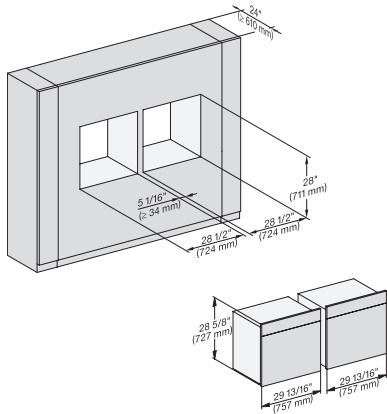


H 6x80 BP, H 6x00 BM + EBA 6808, ESW 6x85, DGC6x00 + EBA6808, H6x80-2BP, NA7000, Fitting Combi w. front, drawing, Proud

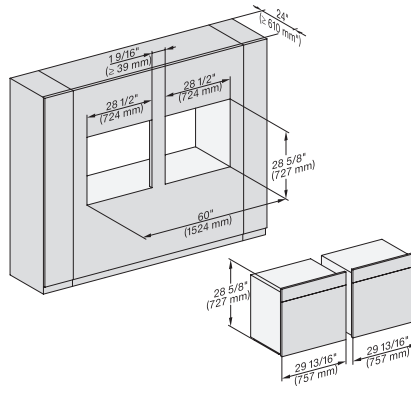


H6x80BP, H6x00BM + EBA6808, ESW6x80, DGC6x00 + EBA 6808, H 6x80-2BP, NA7000 Fitting Combi w. front, drawing, Proud, NA

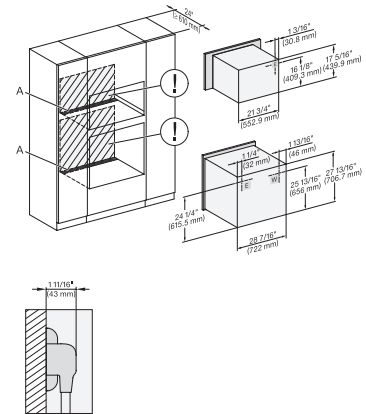
H 7280 BP 30 Inch Convection Oven with clear text display, connectivity, and Self Clean.



H 6x80 BP, H 6x80-2BP, H2x80BP, H7x80BP(X), Fitting Combi wide front side by side, Installation drawing, Proud, NA

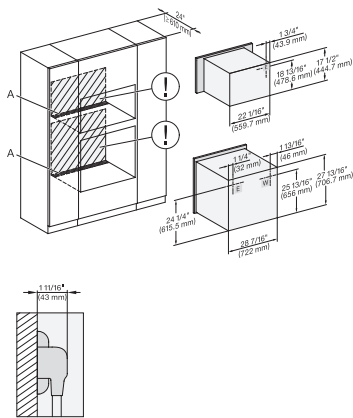


H 6x80 BP, H 6x80-2BP, NA7000 Fitting Combi wide front side by side without wall, Installation drawing, Proud, NA



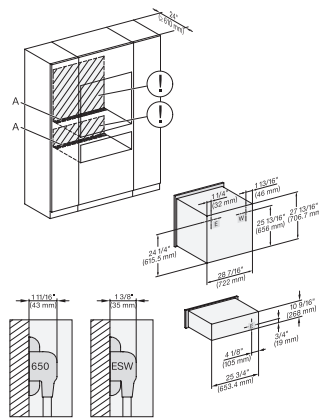
H6x80(-)BP, H6x00BM + EBA6808, H7x40BM, H2880BP, H7x80BP(X), Installation Combi, Installation drawing, Proud, NA

A – Cut-out (4" x 28" / 100 mm x 720 mm) in the bottom of the cabinet for power cord and ventilation, – Electrical and water supplies are recommended to be placed in adjacent cabinetry., Additional cabinet depth is required when placing the electrical and water supplies behind the appliance., E = Electric connection



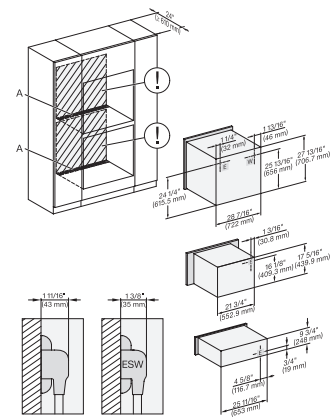
H 6x80 BP, H 6x70 BM, H 6x80-2BP, Hx70BM, H2x80BP(X), H7x80BP(X), Installation Combi, Installation drawing, Proud, NA

A – Cut-out (4" x 28" / 100 mm x 720 mm) in the bottom of the cabinet for power cord and ventilation, – Electrical and water supplies are recommended to be placed in adjacent cabinetry., Additional cabinet depth is required when placing the electrical and water supplies behind the appliance., E = Electric connection



H 6x80 BP, ESW 6x80, H 6x80-2BP, H2x80BP, H7x80BP, ESW7x80, Installation Combi, Installation drawing, Proud, NA

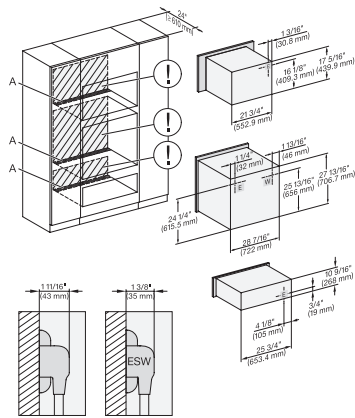
A – Cut-out (4" x 28" / 100 mm x 720 mm) in the bottom of the cabinet for power cord and ventilation, – Electrical and water supplies are recommended to be placed in adjacent cabinetry., Additional cabinet depth is required when placing the electrical and water supplies behind the appliance., E = Electric connection



H 6x80 BP, H 6x00 BM + EBA 6808, ESW 6x85, H 6x80-2BP, NA7000 Installation Combi, Installation drawing, Proud, NA

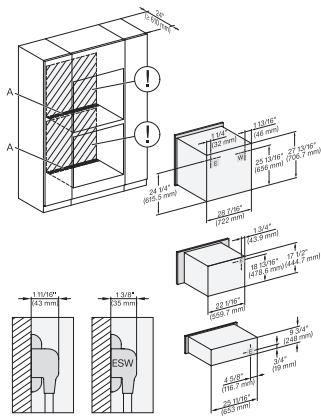
A – Cut-out (4" x 28" / 100 mm x 720 mm) in the bottom of the cabinet for power cord and ventilation, – Electrical and water supplies are recommended to be placed in adjacent cabinetry., Additional cabinet depth is required when placing the electrical and water supplies behind the appliance., E = Electric connection

H 7280 BP 30 Inch Convection Oven with clear text display, connectivity, and Self Clean.



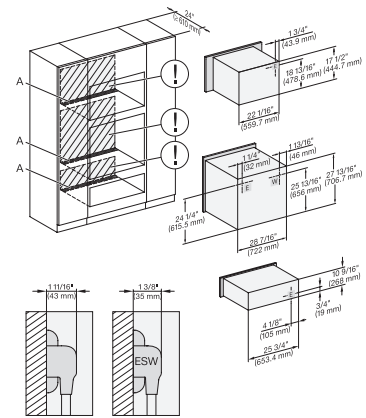
H 6x80 BP, H 6x00 BM + EBA 6808, ESW 6x80, H 6x80-2BP, NA7000 Installation Combi, Installation drawing, Proud, NA

A – Cut-out (4" x 28" / 100 mm x 720 mm) in the bottom of the cabinet for power cord and ventilation, – Electrical and water supplies are recommended to be placed in adjacent cabinetry, Additional cabinet depth is required when placing the electrical and water supplies behind the appliance, E = Electric connection



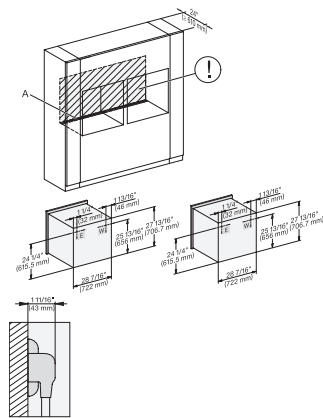
H 6x80 BP, H 6x70 BM, ESW 6x85, H 6x80-2BP, NA7000 Installation Combi, Installation drawing, Proud, NA

A – Cut-out (4" x 28" / 100 mm x 720 mm) in the bottom of the cabinet for power cord and ventilation, – Electrical and water supplies are recommended to be placed in adjacent cabinetry, Additional cabinet depth is required when placing the electrical and water supplies behind the appliance, E = Electric connection



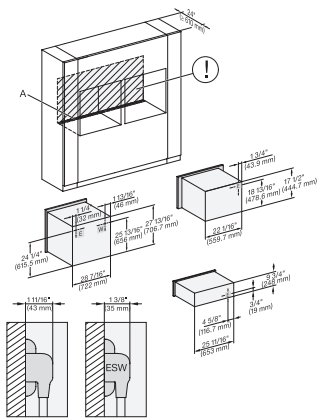
H 6x80 BP, H 6x70 BM, ESW 6x80, H 6x80-2BP, NA7000, Installation Combi, Installation drawing, Proud, NA

A – Cut-out (4" x 28" / 100 mm x 720 mm) in the bottom of the cabinet for power cord and ventilation, – Electrical and water supplies are recommended to be placed in adjacent cabinetry, Additional cabinet depth is required when placing the electrical and water supplies behind the appliance, E = Electric connection



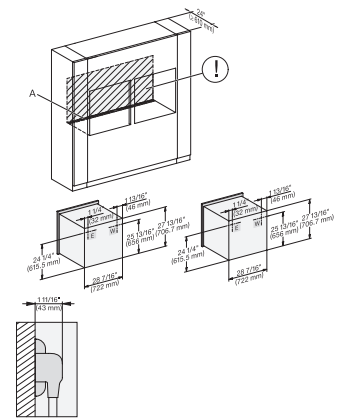
H 6x80 BP, H 6x80-2BP, H2x80BP, H7x80BP, Installation Combi, side by side, Installation drawing, Proud, NA

A – Cut-out (4" x 28" / 100 mm x 720 mm) in the bottom of the cabinet for power cord and ventilation, – Electrical and water supplies are recommended to be placed in adjacent cabinetry, Additional cabinet depth is required when placing the electrical and water supplies behind the appliance, E = Electric connection



H6x80(-2)BP, H6x70BM, ESW6x85, H2x80BP, H7x80BP, ESW7x70, EVS7670, Installation Combi side by side, Installation drawing

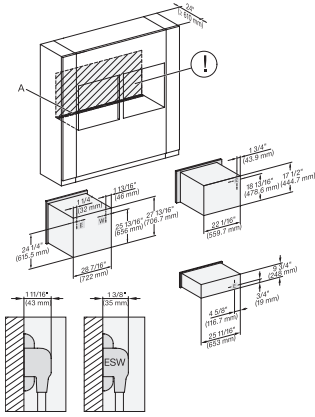
A – Cut-out (4" x 28" / 100 mm x 720 mm) in the bottom of the cabinet for power cord and ventilation, – Electrical and water supplies are recommended to be placed in adjacent cabinetry, Additional cabinet depth is required when placing the electrical and water supplies behind the appliance, E = Electric connection



H 6x80 BP, H 6x80-2BP, H2x80BP, H7x80BP(X), Installation Combi side by side without wall, Installation drawing, Proud, NA

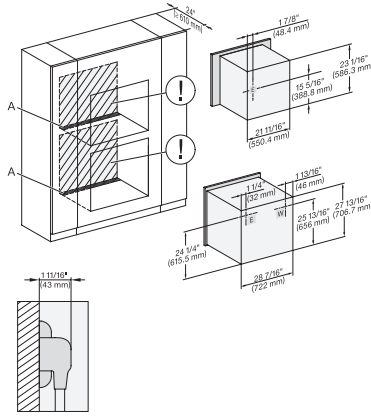
A – Cut-out (4" x 28" / 100 mm x 720 mm) in the bottom of the cabinet for power cord and ventilation, – Electrical and water supplies are recommended to be placed in adjacent cabinetry, Additional cabinet depth is required when placing the electrical and water supplies behind the appliance, E = Electric connection

H 7280 BP 30 Inch Convection Oven with clear text display, connectivity, and Self Clean.



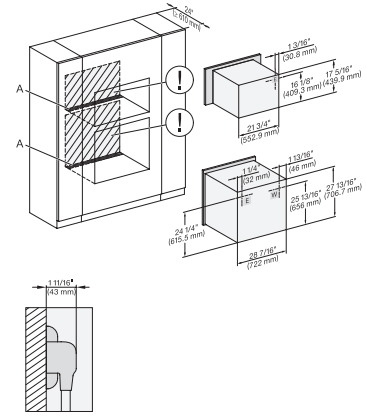
H 6x80 BP, H 6x70 BM, ESW 6x85, H 6x80-2BP, NA7000, Installation Combi side by side without wall, drawing, Proud, NA

A – Cut-out (4" x 28" / 100 mm x 720 mm) in the bottom of the cabinet for power cord and ventilation, – Electrical and water supplies are recommended to be placed in adjacent cabinetry, Additional cabinet depth is required when placing the electrical and water supplies behind the appliance, E = Electric connection



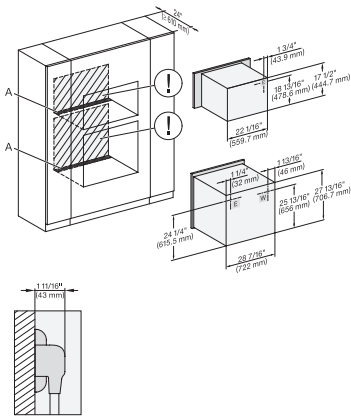
DGC 6x6x (AM) + EBA 6808, H 6x80 BP, H 6x80-2BP, Installation Combi wide front, Installation drawing, Proud, NA

A – Cut-out (4" x 28" / 100 mm x 720 mm) in the bottom of the cabinet for power cord and ventilation, – Electrical and water supplies are recommended to be placed in adjacent cabinetry, Additional cabinet depth is required when placing the electrical and water supplies behind the appliance, E = Electric connection



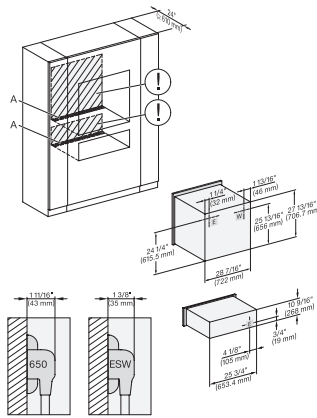
H 6x80 BP, H 6x00 BM + EBA 6808, H 6x80-2BP, NA7000, Installation Combi wide front, Installation drawing, Proud, NA

A – Cut-out (4" x 28" / 100 mm x 720 mm) in the bottom of the cabinet for power cord and ventilation, – Electrical and water supplies are recommended to be placed in adjacent cabinetry, Additional cabinet depth is required when placing the electrical and water supplies behind the appliance, E = Electric connection



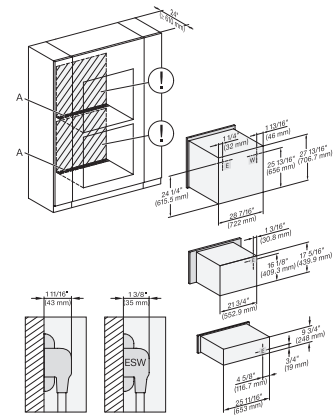
H 6x80 BP, H 6x70 BM, H 6x80-2BP, NA7000, Installation Combi wide front, Installation drawing, Proud, NA

A – Cut-out (4" x 28" / 100 mm x 720 mm) in the bottom of the cabinet for power cord and ventilation, – Electrical and water supplies are recommended to be placed in adjacent cabinetry, Additional cabinet depth is required when placing the electrical and water supplies behind the appliance, E = Electric connection



H 6x80 BP, ESW 6x80, H 6x80-2BP, NA7000, Installation Combi wide front, Installation drawing, Proud, NA

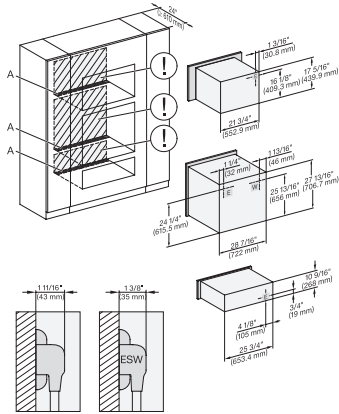
A – Cut-out (4" x 28" / 100 mm x 720 mm) in the bottom of the cabinet for power cord and ventilation, – Electrical and water supplies are recommended to be placed in adjacent cabinetry, Additional cabinet depth is required when placing the electrical and water supplies behind the appliance, E = Electric connection



H6x80BP, H6x00BM + EBA6808, ESW6x85, H6x80-2BP, NA7000, Installation Combi wide front, Installation drawing, Proud, NA

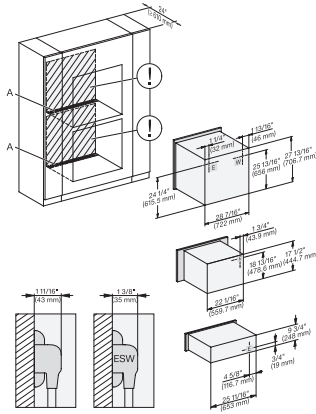
A – Cut-out (4" x 28" / 100 mm x 720 mm) in the bottom of the cabinet for power cord and ventilation, – Electrical and water supplies are recommended to be placed in adjacent cabinetry, Additional cabinet depth is required when placing the electrical and water supplies behind the appliance, E = Electric connection

H 7280 BP 30 Inch Convection Oven with clear text display, connectivity, and Self Clean.



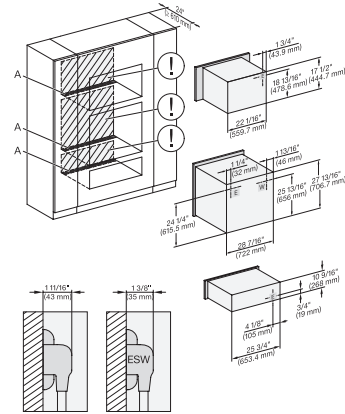
H6x80BP, H6x00BM + EBA6808, ESW6x80, H 6x80-2BP, NA7000, Installation Combi wide front, Installation drawing, Proud, NA

A – Cut-out (4" x 28" / 100 mm x 720 mm) in the bottom of the cabinet for power cord and ventilation, – Electrical and water supplies are recommended to be placed in adjacent cabinetry, Additional cabinet depth is required when placing the electrical and water supplies behind the appliance, E = Electric connection



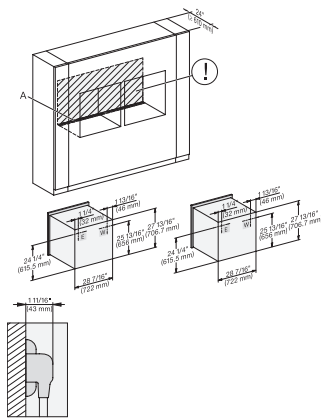
H 6x80 BP, H 6x70 BM, ESW 6x85, H 6x80-2BP, NA7000, Installation Combi wide front, Installation drawing, Proud, NA

A – Cut-out (4" x 28" / 100 mm x 720 mm) in the bottom of the cabinet for power cord and ventilation, – Electrical and water supplies are recommended to be placed in adjacent cabinetry, Additional cabinet depth is required when placing the electrical and water supplies behind the appliance, E = Electric connection



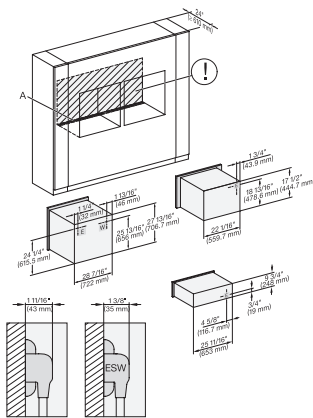
H 6x80 BP, H 6x70 BM, ESW 6x80, H 6x80-2BP, NA7000, Installation Combi wide front, Installation drawing, Proud, NA

A – Cut-out (4" x 28" / 100 mm x 720 mm) in the bottom of the cabinet for power cord and ventilation, – Electrical and water supplies are recommended to be placed in adjacent cabinetry, Additional cabinet depth is required when placing the electrical and water supplies behind the appliance, E = Electric connection



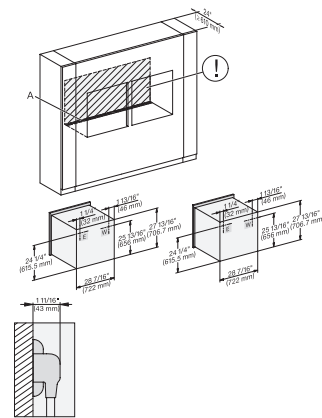
H 6x80 BP, H 6x80-2BP, H2x80BP, H7x80BP, Installation Combi wide front side by side, Installation drawing, Proud, NA

A – Cut-out (4" x 28" / 100 mm x 720 mm) in the bottom of the cabinet for power cord and ventilation, – Electrical and water supplies are recommended to be placed in adjacent cabinetry, Additional cabinet depth is required when placing the electrical and water supplies behind the appliance, E = Electric connection



H6x80(2)BP, H6x70BM, ESW6x85, H2x80BP, H7x80BP, Installation Combi wide front side by side, Installation drawing, Proud

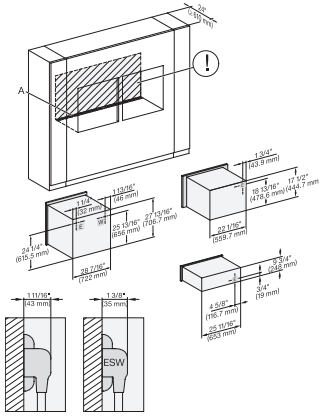
A – Cut-out (4" x 28" / 100 mm x 720 mm) in the bottom of the cabinet for power cord and ventilation, – Electrical and water supplies are recommended to be placed in adjacent cabinetry, Additional cabinet depth is required when placing the electrical and water supplies behind the appliance, E = Electric connection



H6x80BP, H6x80-2BP, H2x80BP, H7x80BP, Installation Combi wide front side by side without wall, Installation drawing

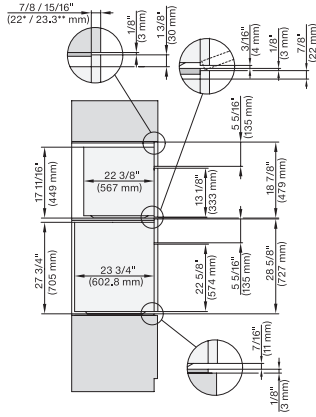
A – Cut-out (4" x 28" / 100 mm x 720 mm) in the bottom of the cabinet for power cord and ventilation, – Electrical and water supplies are recommended to be placed in adjacent cabinetry, Additional cabinet depth is required when placing the electrical and water supplies behind the appliance, E = Electric connection

H 7280 BP 30 Inch Convection Oven with clear text display, connectivity, and Self Clean.



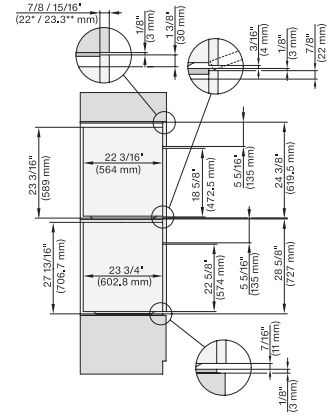
H6x80 BP, H6x70BM, ESW6x85, H6x80-2BP, NA7000, Installation Combi w. front side by side without wall, drawing, Proud, NA

A – Cut-out (4" x 28" / 100 mm x 720 mm) in the bottom of the cabinet for power cord and ventilation, – Electrical and water supplies are recommended to be placed in adjacent cabinetry, Additional cabinet depth is required when placing the electrical and water supplies behind the appliance, E = Electric connection



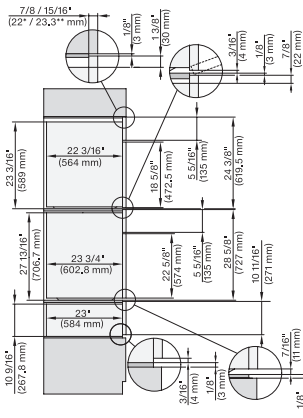
DG7x7(X), H7x8(X)BP, side view, 30 Zoll, Flush inset, combi, XL, 650

7/8" – 22* mm – Glass, 15/16" – 23.3** mm – Stainless steel



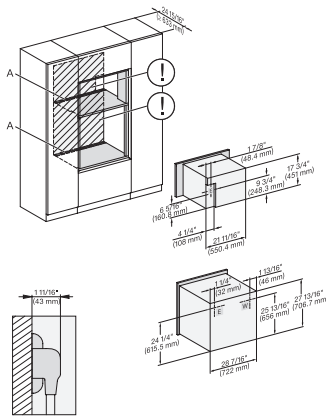
DG7x8(X), H2x80BP, H7x8(X)BP(X), side view, 30 Zoll, Flush inset, combi, XXL 650

7/8" – 22* mm – Glass, 15/16" – 23.3** mm – Stainless steel, DGC: Minimum installation height 36" – 914 mm from floor to the device installation surface



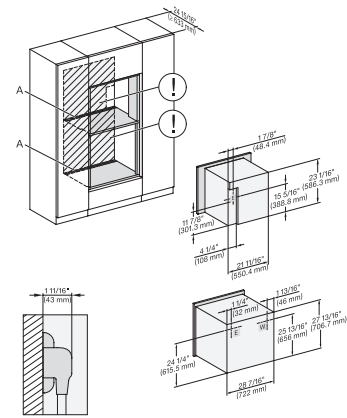
DG7x8(X), H2x80BP, H7x8(X)BP, ESW7x80, side view, 30 Zoll, Flush inset, combi, XXL, 650, ESW30

7/8" – 22* mm – Glass, 15/16" – 23.3** mm – Stainless steel, DGC: Minimum installation height 36" – 914 mm from floor to the device installation surface



DG7x4(X)+EBA7848, H2880BP, H7x8(X)BP(X), Installation, 30 Zoll, Flush inset, combi, XL, 650

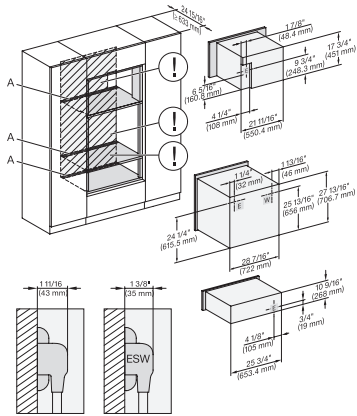
A – Cut-out (4" x 28" / 100 mm x 720 mm) in the bottom of the cabinet for power cord and ventilation, – Electrical and water supplies are recommended to be placed in adjacent cabinetry, Additional cabinet depth is required when placing the electrical and water supplies behind the appliance, E = Electric connection



DG786(X)+EBA7868, H280BP, H7x8(X)BP(X), Installation, 3 Zoll, Flush inset, combi, XXL, 650

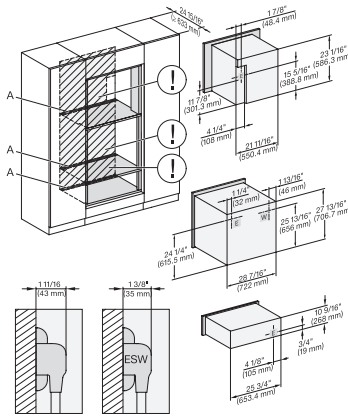
A – Cut-out (4" x 28" / 100 mm x 720 mm) in the bottom of the cabinet for power cord and ventilation, – Electrical and water supplies are recommended to be placed in adjacent cabinetry, Additional cabinet depth is required when placing the electrical and water supplies behind the appliance, E = Electric connection

H 7280 BP 30 Inch Convection Oven with clear text display, connectivity, and Self Clean.



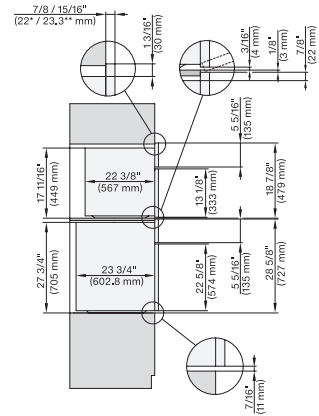
DGC7x4x+EBA7848, H280BP, H7x8xBP(X), ESW7x80, Installation, 30 Zoll, Flush inset, combi, XL, 650

A – Cut-out (4" x 28" / 100 mm x 720 mm) in the bottom of the cabinet for power cord and ventilation, – Electrical and water supplies are recommended to be placed in adjacent cabinetry, Additional cabinet depth is required when placing the electrical and water supplies behind the appliance., E = Electric connection



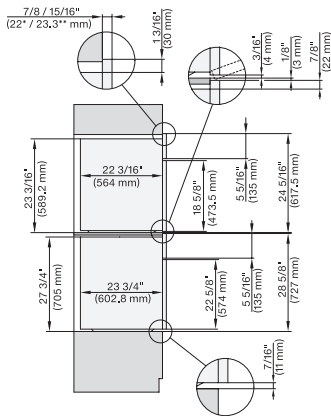
DGC786x+EBA7868, H7x80BP(X), ESW7x80, Installation, 30 Zoll, Flush inset, combi, XXL, 650

A – Cut-out (4" x 28" / 100 mm x 720 mm) in the bottom of the cabinet for power cord and ventilation, – Electrical and water supplies are recommended to be placed in adjacent cabinetry, Additional cabinet depth is required when placing the electrical and water supplies behind the appliance., E = Electric connection



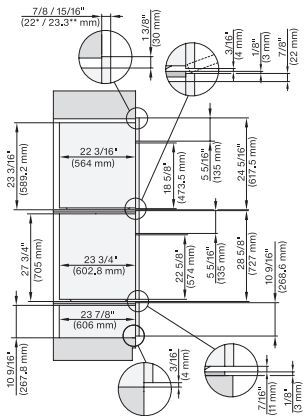
DGC7xxx, H2x80BP, H7x8xBP(X), side view, 30 Zoll, Proud, combi, XL, 650

7/8" – 22* mm – Glass, 15/16" – 23.3** mm – Stainless steel



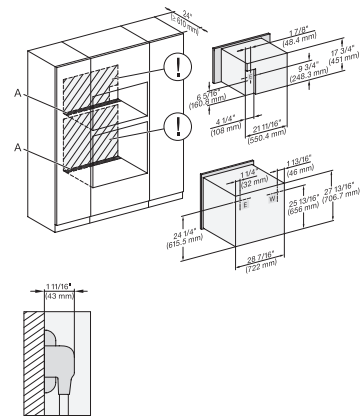
DGC7x8x, H2x80BP, H7x8xBP(X), side view, 30 Zoll, Proud, combi, XXL 650

7/8" – 22* mm – Glass, 15/16" – 23.3** mm – Stainless steel, DGC: Minimum installation height 36" – 914 mm from floor to the device installation surface



DGC7x8x(X), H2x80BP, H7x8xBP(X), ESW7x80, side view, 30 Zoll, Proud, combi, XXL, 650

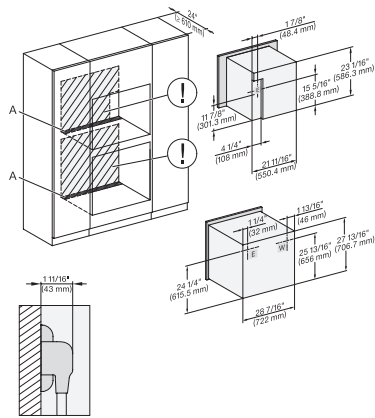
7/8" – 22* mm – Glass, 15/16" – 23.3** mm – Stainless steel, DGC: Minimum installation height 36" – 914 mm from floor to the device installation surface



DGC7x4x+EBA7848, H2880BP, H7x8xBP(X), Installation, 30 Zoll, Proud, combi, 650

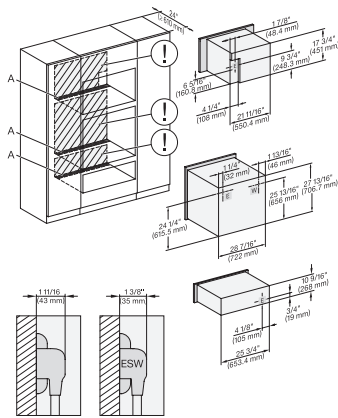
A – Cut-out (4" x 28" / 100 mm x 720 mm) in the bottom of the cabinet for power cord and ventilation, – Electrical and water supplies are recommended to be placed in adjacent cabinetry, Additional cabinet depth is required when placing the electrical and water supplies behind the appliance., E = Electric connection

H 7280 BP 30 Inch Convection Oven with clear text display, connectivity, and Self Clean.



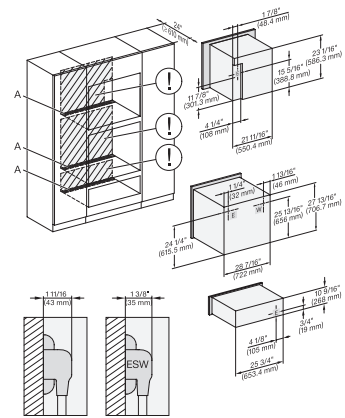
DGC786x+EBA7868, H2880BP, H7x8xBP(X), Installation, 30 Zoll Proud, combi, XXL, 650

A – Cut-out (4" x 28" / 100 mm x 720 mm) in the bottom of the cabinet for power cord and ventilation, – Electrical and water supplies are recommended to be placed in adjacent cabinetry, Additional cabinet depth is required when placing the electrical and water supplies behind the appliance., E = Electric connection



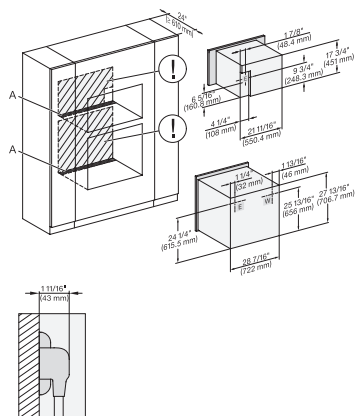
DGCT7x4+EBA7848, H2880BP, H7x6xBP(X), ESW7x80, Installation, 30 Zoll, Proud, combi, XL, 650

A – Cut-out (4" x 28" / 100 mm x 720 mm) in the bottom of the cabinet for power cord and ventilation, – Electrical and water supplies are recommended to be placed in adjacent cabinetry, Additional cabinet depth is required when placing the electrical and water supplies behind the appliance., E = Electric connection



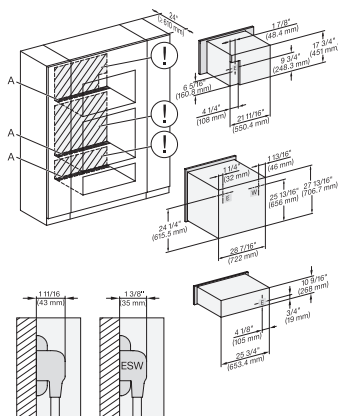
DGC786x+EBA7868, H7x8xBP, ESW7x80, Installation, 30 Zoll, Proud, combi, XXL, 650

A – Cut-out (4" x 28" / 100 mm x 720 mm) in the bottom of the cabinet for power cord and ventilation, – Electrical and water supplies are recommended to be placed in adjacent cabinetry, Additional cabinet depth is required when placing the electrical and water supplies behind the appliance., E = Electric connection



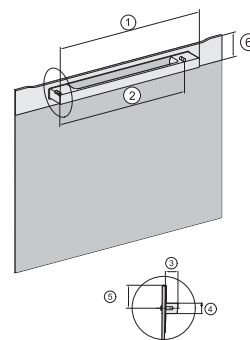
DGCT7x4+EBA7848, H2880BP, H7280BPX, Installation, 30 Zoll, Proud, combi, wide front, XL, 650

A – Cut-out (4" x 28" / 100 mm x 720 mm) in the bottom of the cabinet for power cord and ventilation, – Electrical and water supplies are recommended to be placed in adjacent cabinetry, Additional cabinet depth is required when placing the electrical and water supplies behind the appliance., E = Electric connection



DGCT7x4+EBA7848, H2880BP, H7x8xBP, ESW7x80, Installation, 30 Zoll, Proud, combi, wide front, XL, 650

A – Cut-out (4" x 28" / 100 mm x 720 mm) in the bottom of the cabinet for power cord and ventilation, – Electrical and water supplies are recommended to be placed in adjacent cabinetry, Additional cabinet depth is required when placing the electrical and water supplies behind the appliance., E = Electric connection



Handle H72xx, H76xx, H78xx, PureLine – NA7000 - Installation drawing

H2880BP, H7270BM, H7670BM, H7870BM, H7280BP, H7680BP, H7880BP, H7880BP2, 19 11/16" / 500 mm, 17 1/2" / 444 mm, 17 7/8" / 47 mm, 15/16" / 24 mm, 1 1/4" / 32,5 mm, 2 9/16" / 65 mm, H7240BM, H7640BM, H7840BM, H7263BP, H7660BP: 15 3/4" / 400 mm, 14 3/16" / 360 mm, 1 7/8" / 47 mm, 15/16" / 24 mm, 1 1/4" / 32,5 mm, 2 9/16" / 65 mm